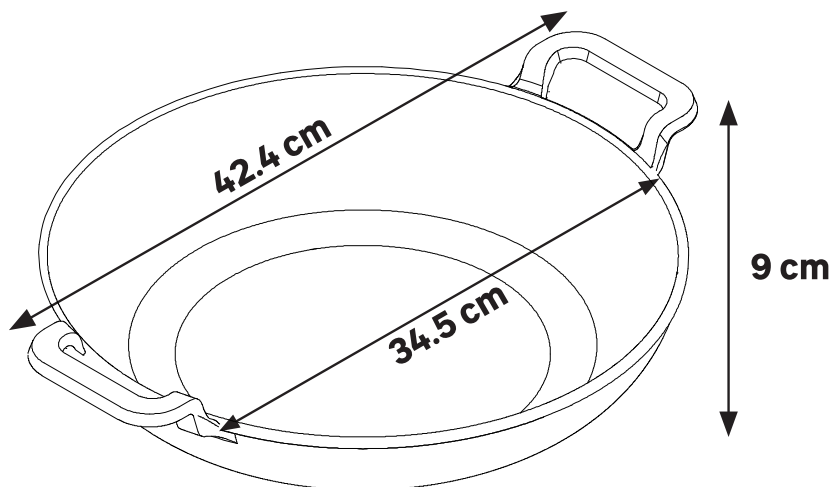


WOK NATERIAL ENAMELED CAST IRON DIAMETER 34 CM



EAN : 3276007615340

MATRIX ID : 2024R09P02-0029

SL Navodila za uporabo **EN** Instructions Manual



POMEMBNO: POZORNO PREBERITE

1. NAVODILA ZA UPORABO



Ta izdelek je namenjen za domačo in neprofesionalno uporabo na prostem.

Ta izdelek je namenjen za uporabo z žarom (na oglje). Pri delu ne uporabljajte ostrih ali kovinskih predmetov. To lahko poškoduje premaz. Priporočamo lesene ali silikonske kuhinjske pripomočke. Pri delu se izogibajte rezanju hrane in neposrednemu kuhanju s pripomočki, ki bi lahko opraskali vok.

Emajlirane površine niso primerne za suho kuhanje. Preden začnete kuhati, na dno voka dodajte tekočino, maslo ali olje.

Pri uporabi tega izdelka je priporočljivo predhodno segrevanje na nizki do srednji temperaturi, da se vok postopoma segreje.

Uporabljajte rokavice, odporne na vročino, saj so lahko ročaji zelo vroči.

Vok vedno dvignite. Da bi preprečili nastanek prask, voka ne drsajte in ga ne vlecite.

Ne uporabljajte ga v mikrovalovni pečici.

Prva uporaba voka

Pred prvo uporabo morate vok pripraviti:

1. Operite ga ročno z blagim detergentom.
2. Vok sperite z vročo vodo in ga popolnoma posušite.
3. S čopičem namažite rastlinsko olje po celotni površini voka.
4. Postopoma segrevajte na nizki temperaturi 3 do 5 minut.

Postopek redno ponavljajte, da vok ostane pripravljen na kuho in zaščiten.

2. NEGA IN VZDRŽEVANJE



Čiščenje

Vok umivajte le ročno in ga posušite, da ohranite prvotni videz.

Pred čiščenjem počakajte, da se ohladi. Izogibajte se nenadnim temperaturnim spremembam, kot je potopitev vročega voka v hladno vodo, saj lahko zaradi toplotnega šoka poškodujete emajl.

Trdovratne ostanke hrane namočite v milnico in jih po potrebi odstranite z lesenim strgalom ali neabrazivno gobo.

Nato vok ponovno zaščitite, kot je opisano zgoraj.

Ne uporabljajte abrazivnih čistil ali kovinskih ščetk.

3. VAROVANJE OKOLJA

Zaradi varovanja okolja je treba kartonsko embalažo in izdelke, ki jim poteče življenjska doba, oddati organizaciji za zbiranje odpadkov, da jih razvrsti, obdela in ponovno uporabi.

4. GARANCIJA

Izdelki MATERIAL so zasnovani tako, da izpolnjujejo najvišje standarde kakovosti za izdelke, namenjene potrošniškemu trgu. Izdelki so namenjeni izključno za domačo uporabo.

Prodajna garancija začne veljati z dnem nakupa in traja določeno obdobje.

Garancija zajema proizvodne napake: Manjkajoči deli in komponente, poškodbe, ki nastanejo v normalnih pogojih uporabe.

Garancija ne krije težav ali incidentov, ki so posledica nepravilne uporabe izdelka. Garancija za izdelek je omejena na vrednost izdelka.

Zavrnitev garancije:

Neupoštevanje priporočil za nastavitev in povzročena škoda.

Razbarvanje in madeži, ki nastanejo zaradi neupoštevanja navodil za nego.

Poškodbe zaradi neupoštevanja navodil za nego, zaradi česar izdelka ni mogoče uporabljati.

Spremembe videza zaradi staranja izdelka niso krite.

Ob odprtju embalaže so vidne sledi rezalnika in sponk ter sledi, ki nastanejo zaradi neposrednega stika med površino mize in tlemi.

Če imate težave z izdelkom, se obrnite na vodjo vrtnega oddelka v trgovini. Shranite račun ali potrdilo o prejemu: ti dokumenti bodo potrebni za obravnavo vaše reklamacije. Zahvaljujemo se vam za nakup. Upamo, da boste z našim izdelkom popolnoma zadovoljni. Vaše mnenje o izdelku nam je pomembno, da ga lahko še naprej izboljšujemo, da bo bolje ustrezal vašim potrebam.

ADEO Services – 135 rue Sadi Carnot CS 00001 – 59790 RONCHIN – Francija



IMPORTANT: PLEASE READ CAREFULLY

1. INSTRUCTIONS FOR USE



This product is intended for domestic and non-professional outdoor use.

This product is intended for use with a barbecue (charcoal). Do not use sharp or metal objects on the wok. This can damage the coating. Wooden or silicone kitchen utensils are recommended. Avoid cutting up food in the wok and avoid cooking directly with a utensil that could scratch the wok.

Enamel surfaces are not suitable for dry cooking. Add liquid, butter or oil to the bottom of the wok before starting to cook.

Preheating on a low to medium heat is recommended when using this product to allow the wok to heat up gradually.

Use heatproof gloves as the handles can become very hot.

Always lift the wok. To prevent scratches, do not slide or pull the wok.

Do not use in a microwave oven.

Using your wok for the first time

Before using your wok for the first time, you must season it:

1. Wash it by hand with a mild detergent.
2. Rinse with hot water and let the wok dry completely.
3. Brush vegetable oil all over the cooking surface of your wok.
4. Preheat gradually at a low temperature for 3 to 5 minutes.

Repeat this process regularly to season and protect the wok.

2. CARE AND MAINTENANCE



Cleaning

Hand wash only and dry your wok to preserve the original finish.

Allow it to cool before cleaning. Avoid sudden temperature changes such as immersing the hot wok in cold water as this could damage the enamel through thermal shock.

Soak stubborn food residue in hot soapy water and if necessary, remove it with a wooden scraper or non-abrasive sponge.

Then re-season the wok as described above.

Do not use abrasive cleaners or metal brushes.

3. PROTECT THE ENVIRONMENT

In order to protect the environment, cardboard packaging and end-of-life products should be taken to a waste collection organisation for sorting, processing and reuse.

4. WARRANTY

NATERIAL products are designed according to the highest quality standards for products intended for the consumer market. The products are strictly for domestic use.

The sales warranty starts from the date of purchase for the defined period.

The warranty covers manufacturing defects: Missing parts and components, damage caused under normal conditions of use.

The warranty does not cover problems or incidents resulting from improper use of the product.

The product warranty is limited to the value of the product.

Disclaimers of warranty:

Non-compliance with set-up recommendations and damage caused.

Discolouration and stains resulting from non-compliance with the care instructions.

Damage resulting from non-compliance with the care instructions, which may lead to the product not being used.

Changes in appearance due to the ageing of the product are not covered.

Upon opening the packaging, cutter and staple marks as well as marks caused by direct contact between the table surface and the floor.

If you have a problem with your product, please contact the person in charge of the Garden department at your store. Keep your invoice or receipt: these documents will be required to process your complaint. Thank you for your purchase. We hope that you will be fully satisfied with our product. Your opinion of the product is important to us, so that we can keep improving it to better meet your needs.

ADEO Services - 135 rue Sadi Carnot CS 00001 - 59790 RONCHIN - France

- SL** Ta izdelek je mogoče reciklirati. Če ga ne morete več uporabljati, ga prenesite v center za reciklažo odpadkov.
- EN** This product is recyclable. If it cannot be used anymore, please take it to waste recycling centre.



Datum izdelave :
Production date :
09/2023

SERIAL NUMBER

** 3 let garancije / 3-year warranty

EU : ADEO SERVICES

135, rue Sadi Carnot – CS 00001 59790 – RONCHIN – Francija

EU : ADEO SERVICES

135, rue Sadi Carnot- CS 00001 59790- RONCHIN- France

Made in China