

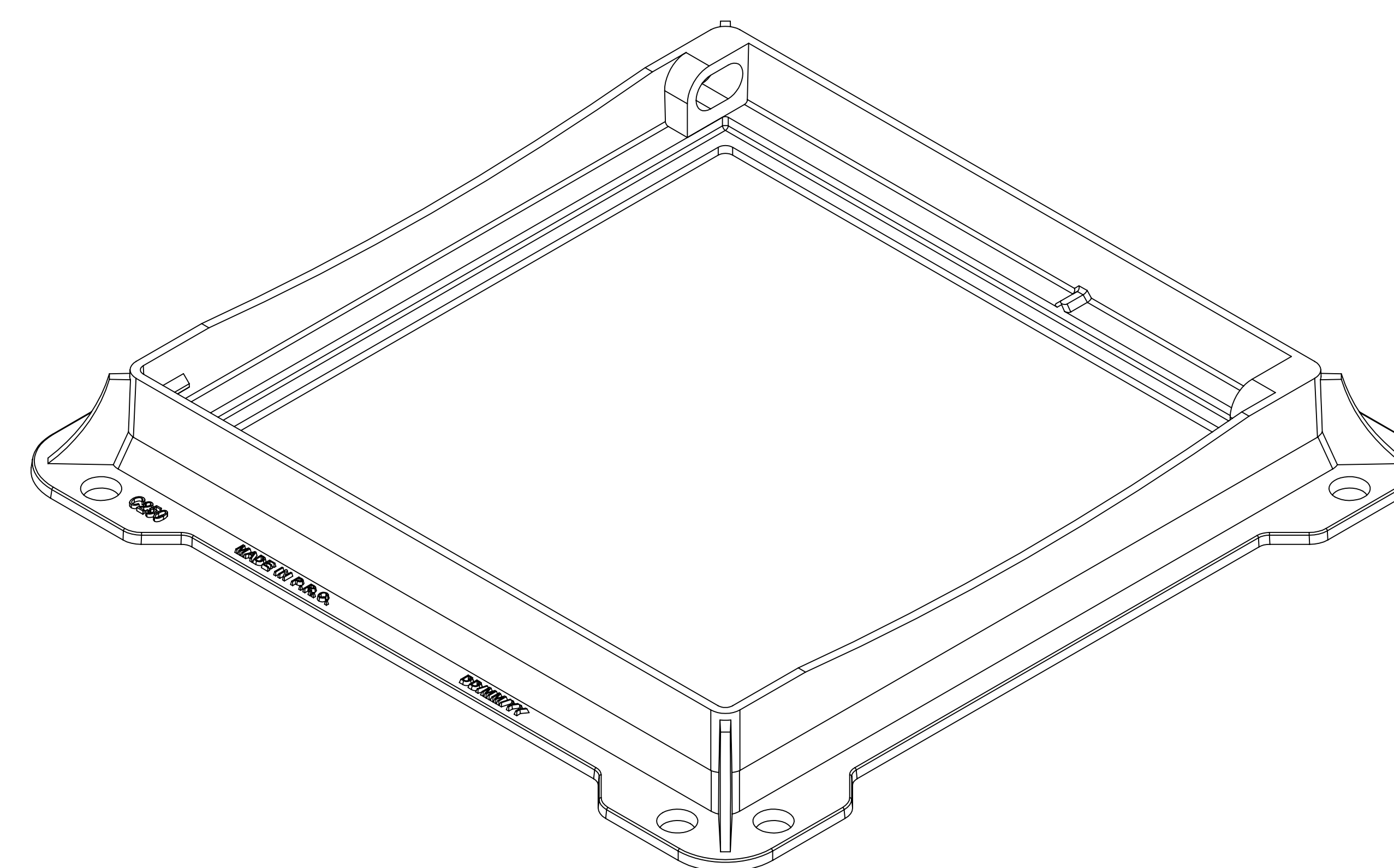
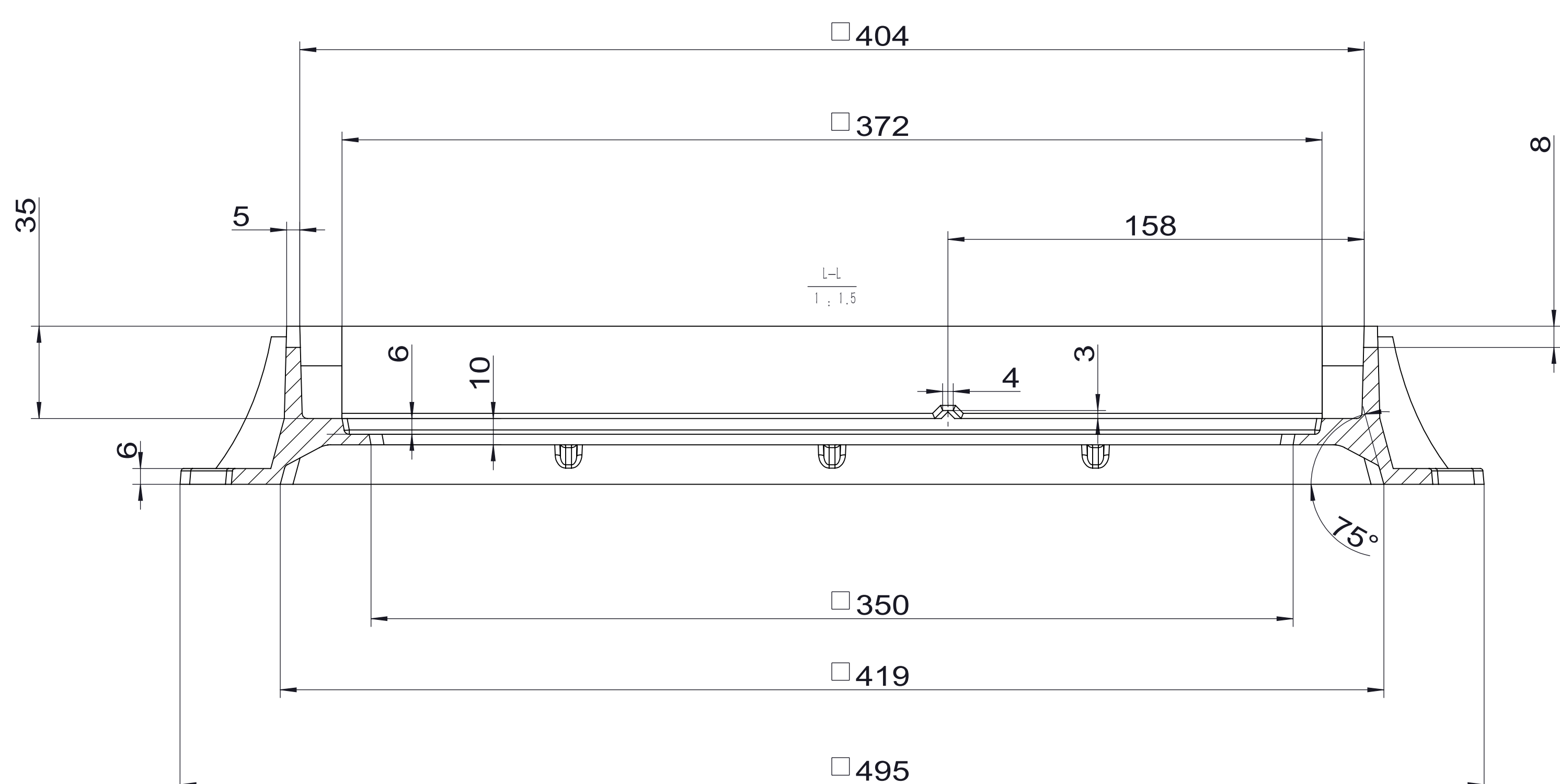
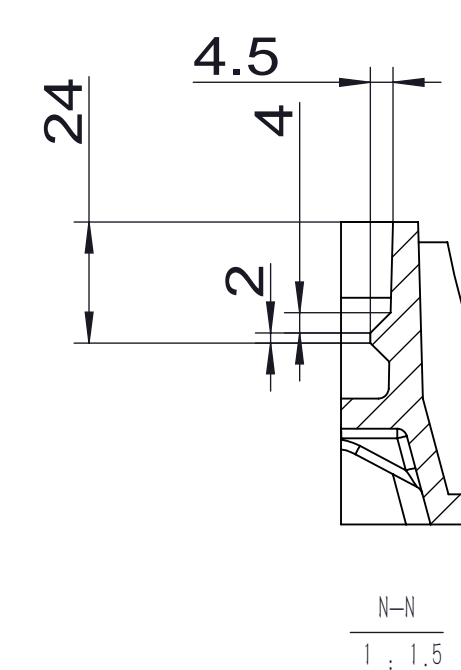
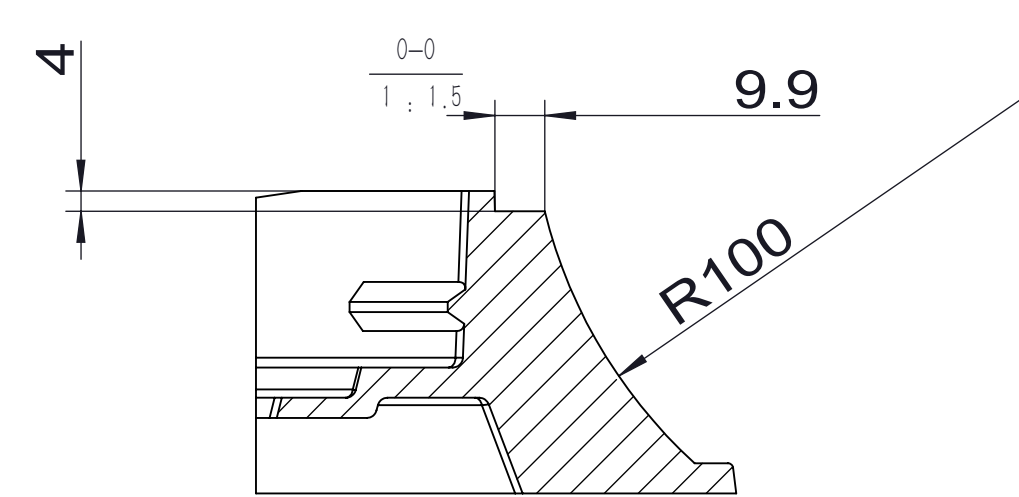
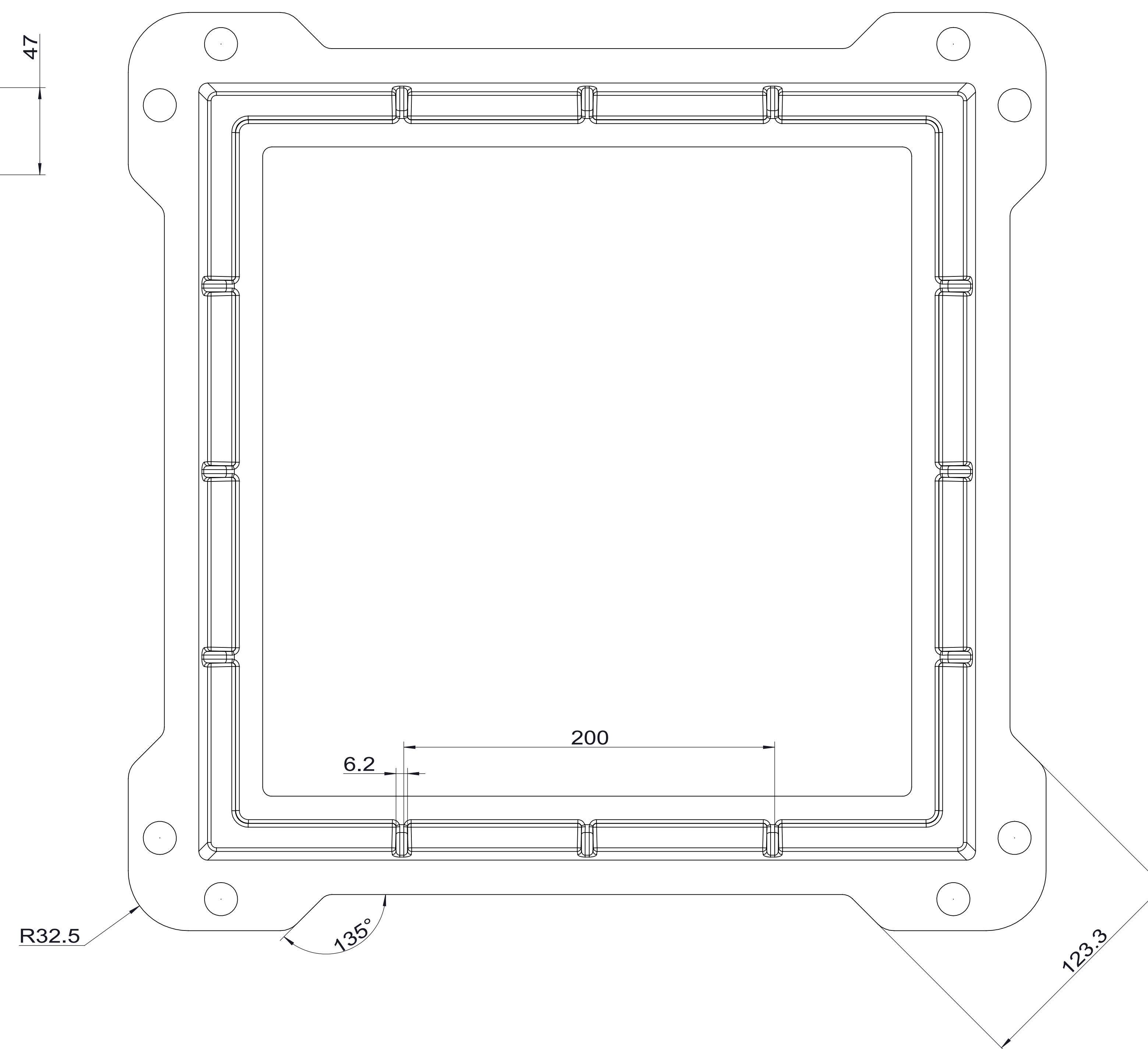
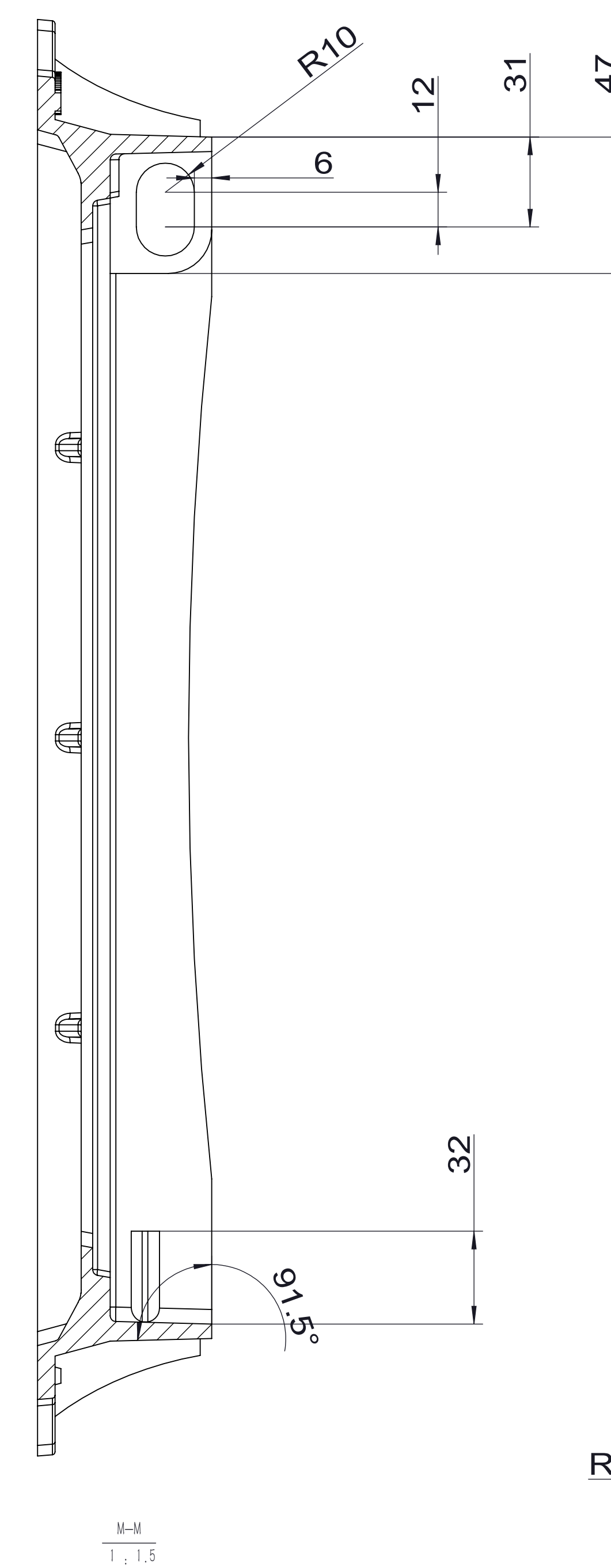
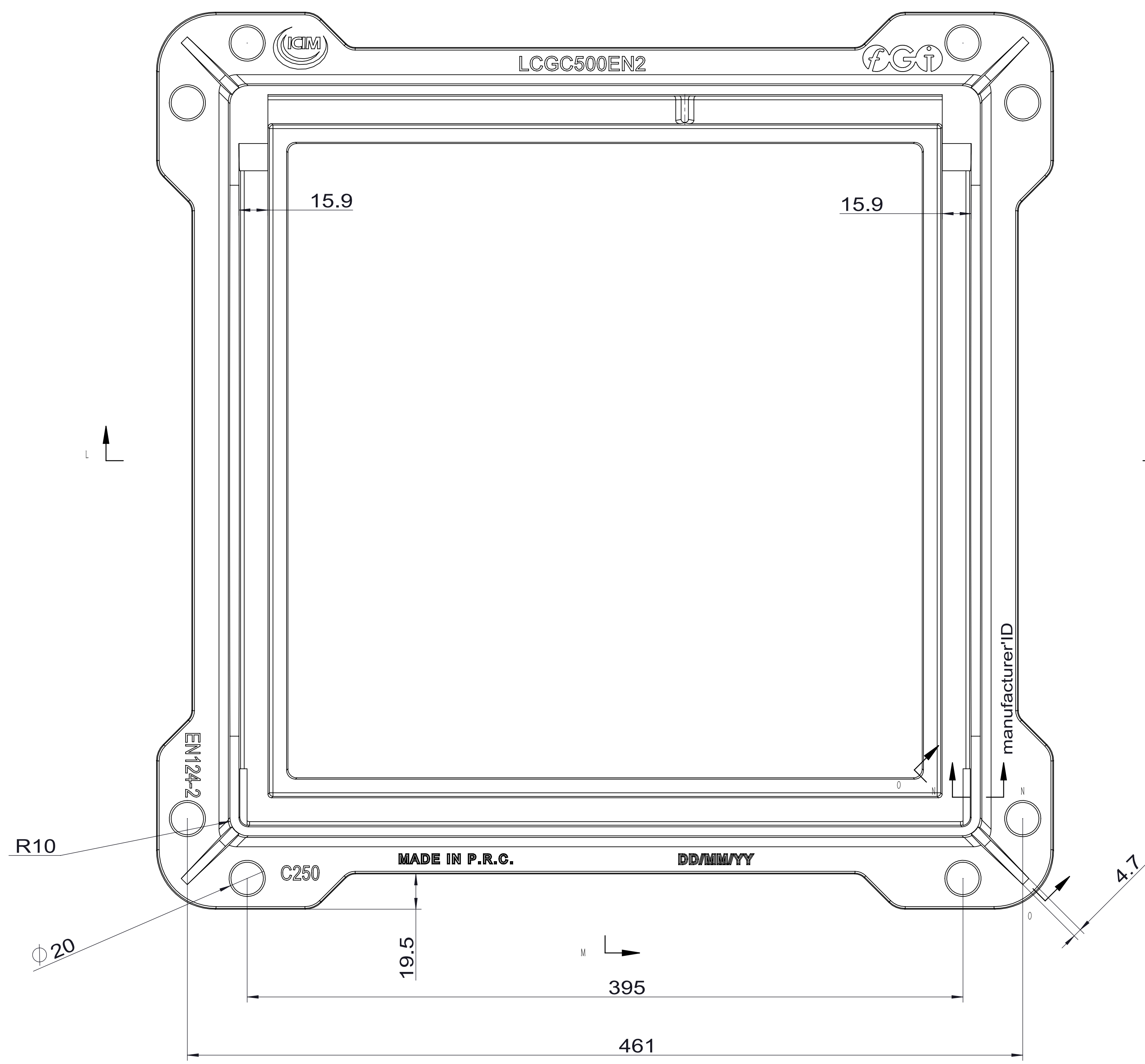
Technical requirement

- 1、 pattern draft is 1-2° of main beams ,cover ,grids, frame side.
- 2、 pattern draft is 5-10° of assistive beams ,gird holes ,outside.
- 3、 pattern draft is 15° of surface patterns ,mark, logo.
- 4、 casting radius which aren't been marked is R1-R3.

General Dimension Tolerance		General Weight Tolerance	
According To ISO 8062-CT10		Tolerance(%)	
		±5%	

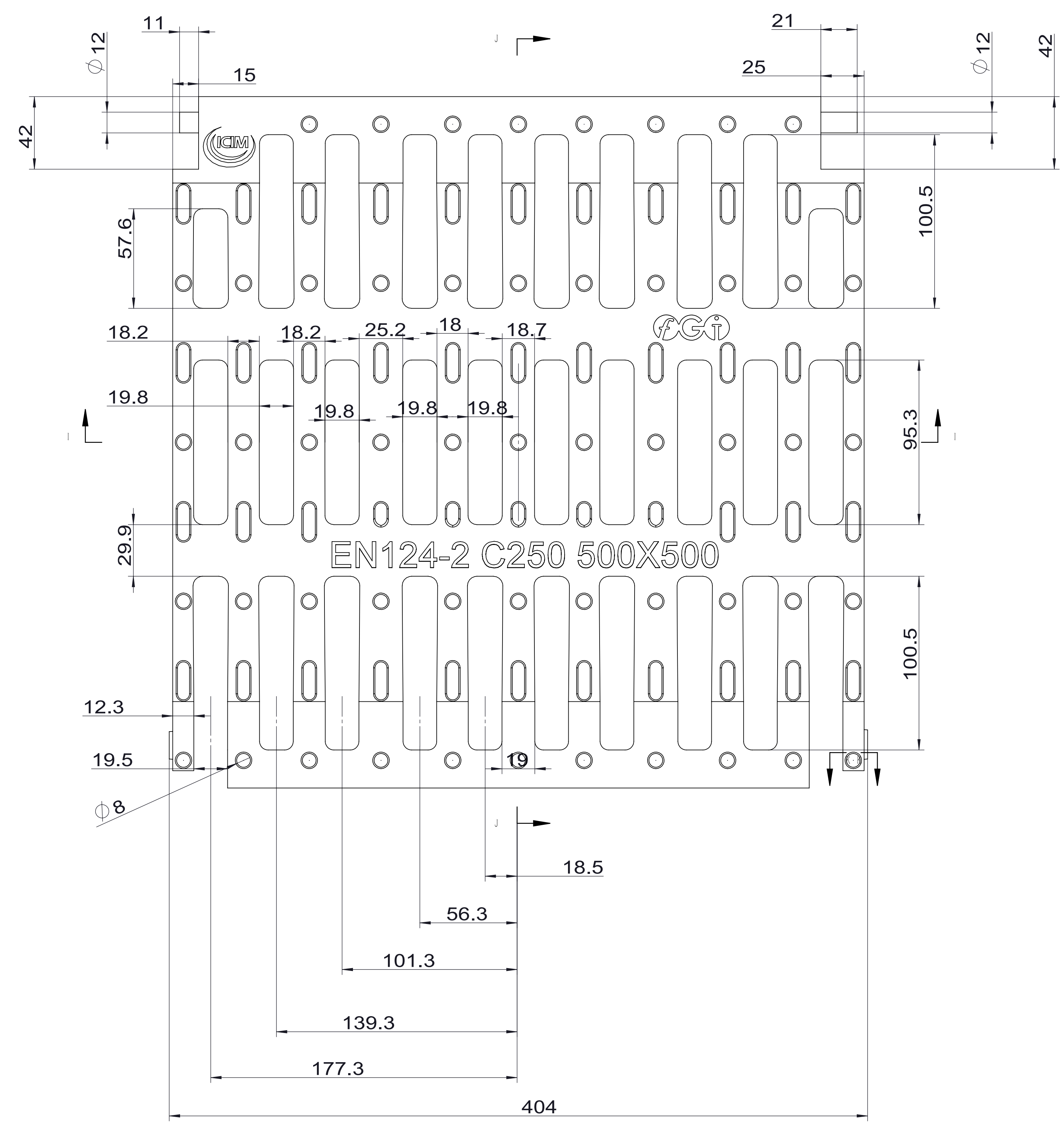
MATERIAL	GJS500-7	WEIGHT	19.2KG	CLASS	EN124-2 C250	SCALE	MARK:
						SIZE	CERTIFICATE NO. /
						495X495X60	PRODUCT CODE
						NAME	
						L-GSGEN-250CL	
						ITEM CODE	
						DESIGN DATE	EDITION
						2017/6/26	0
							SHEET
							1/3



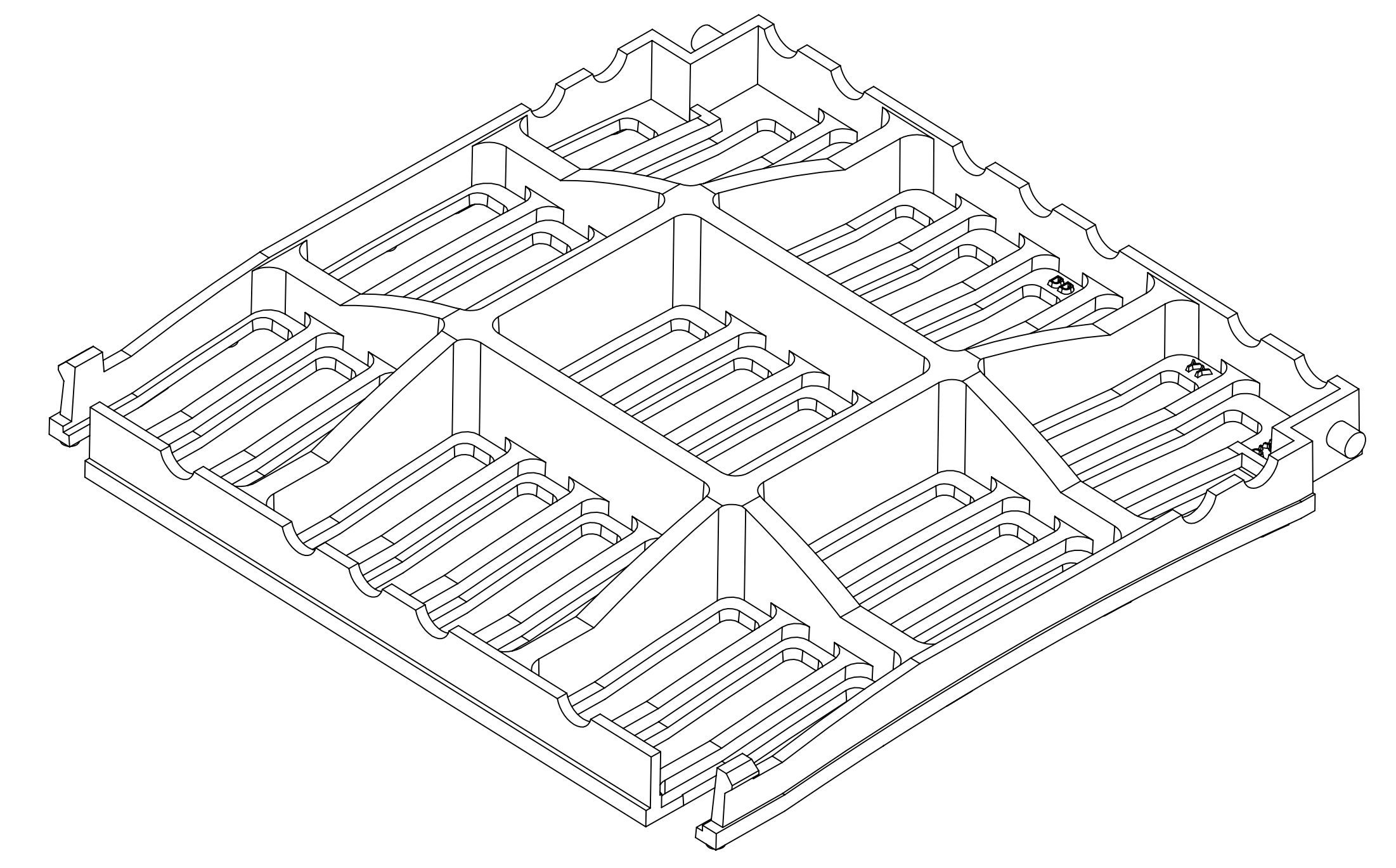
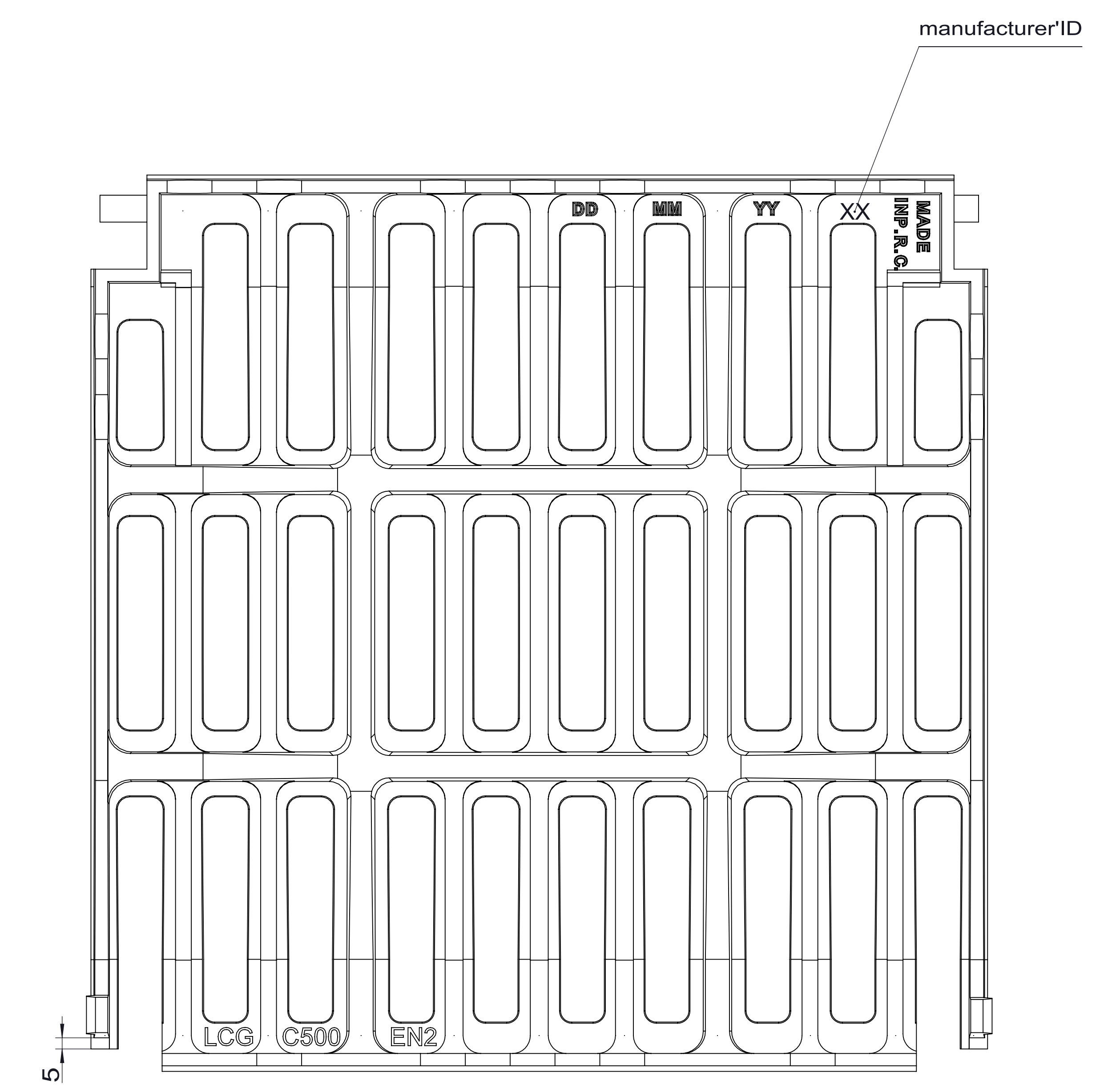
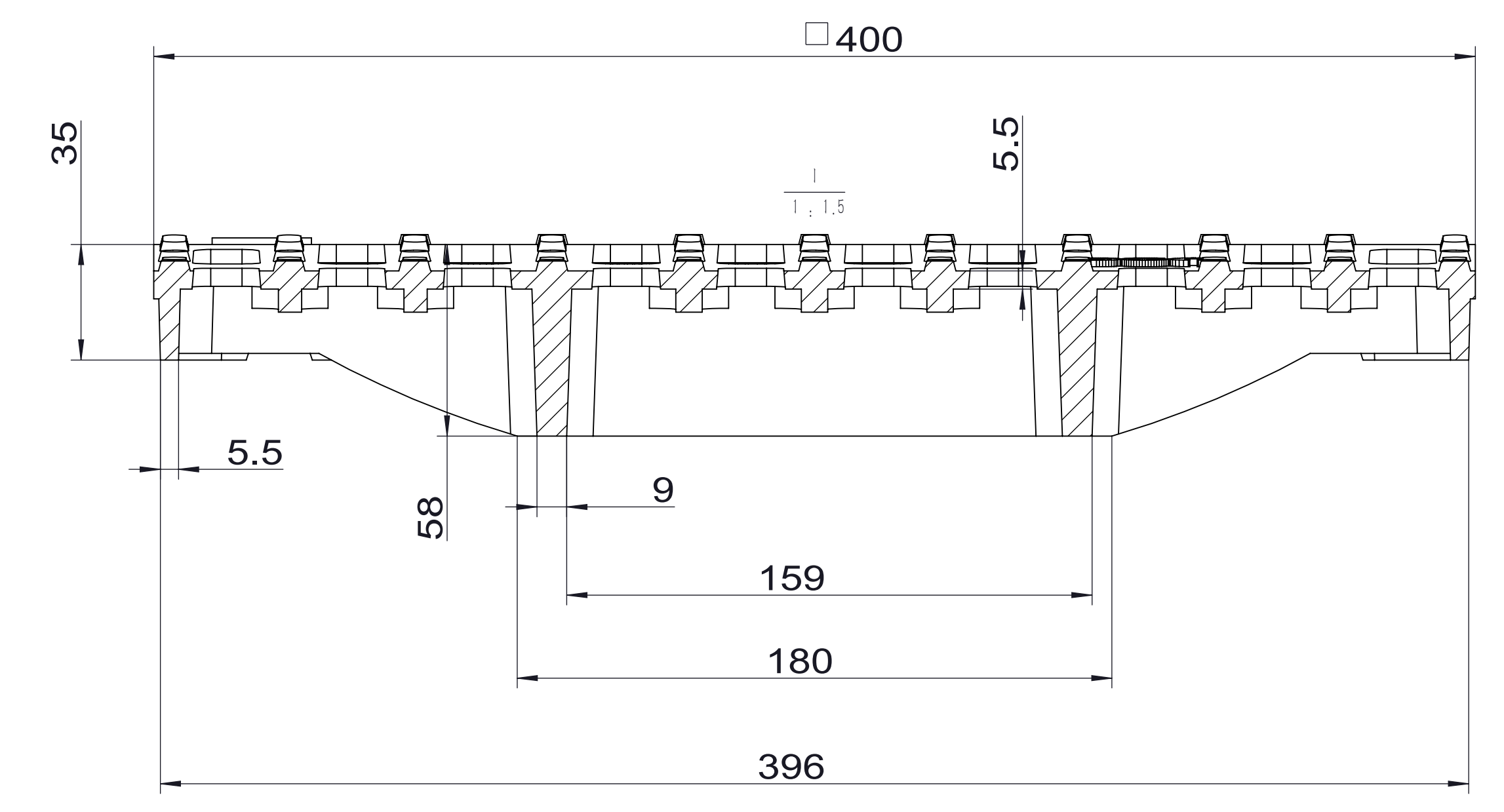
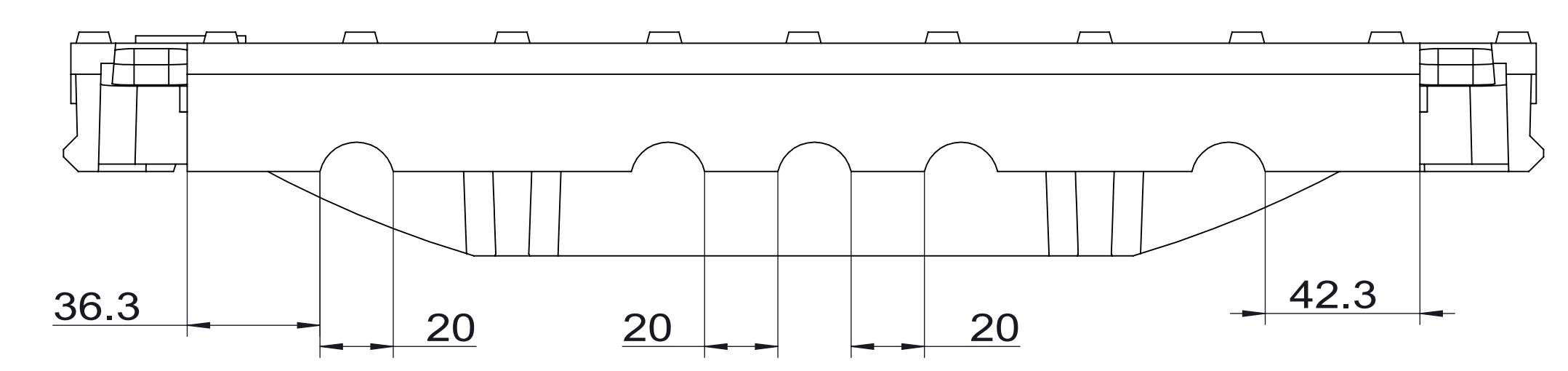
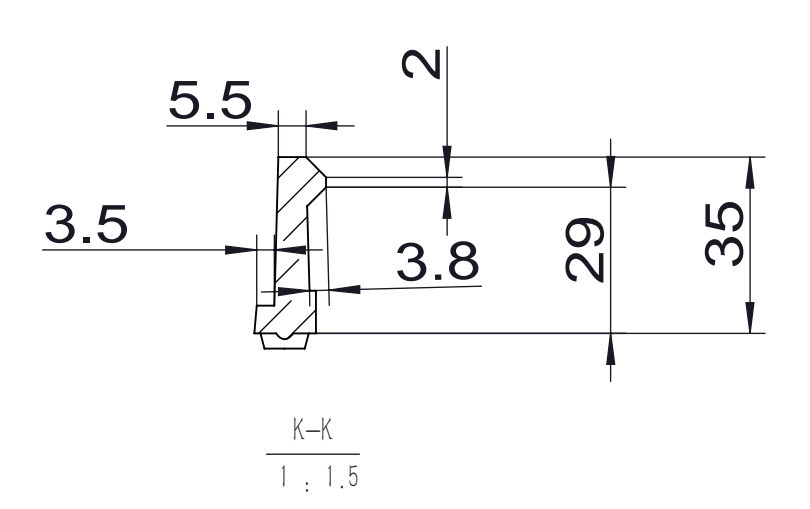
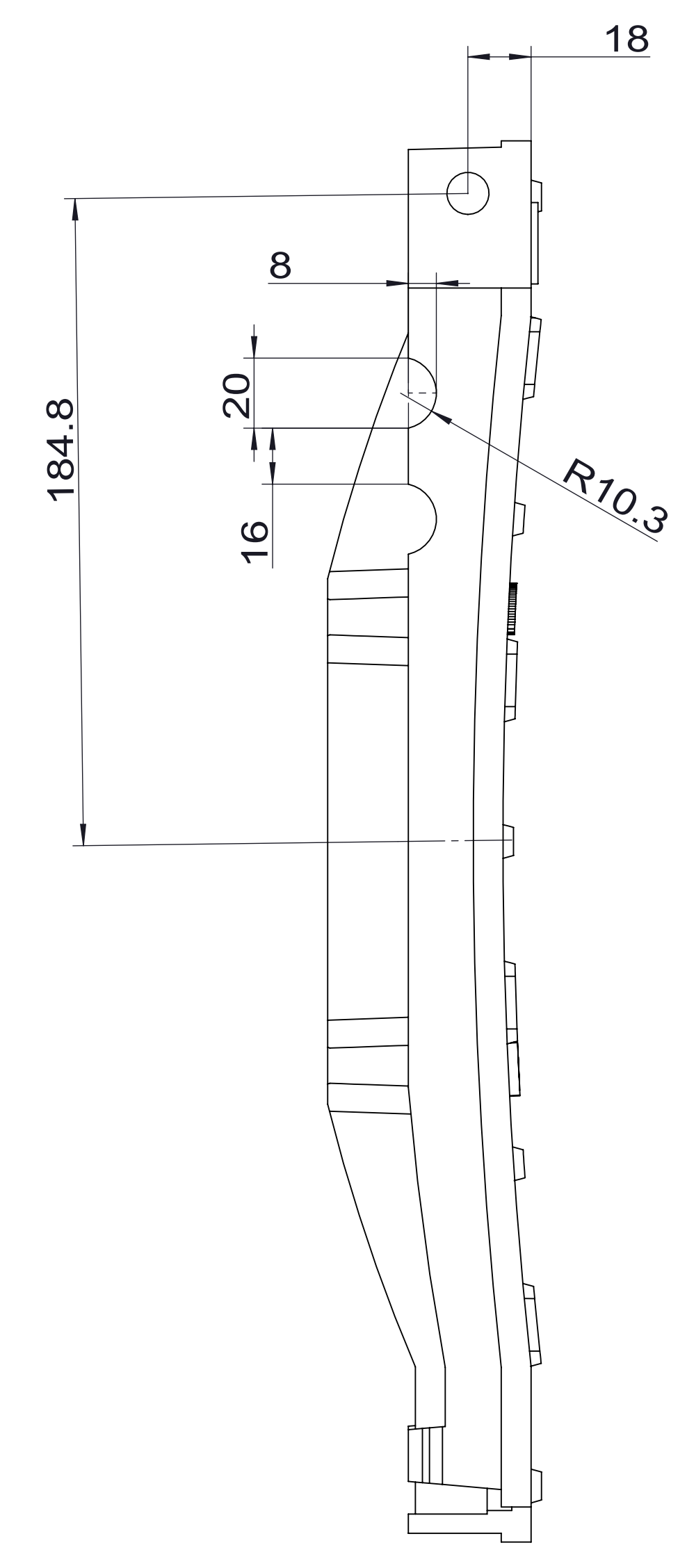
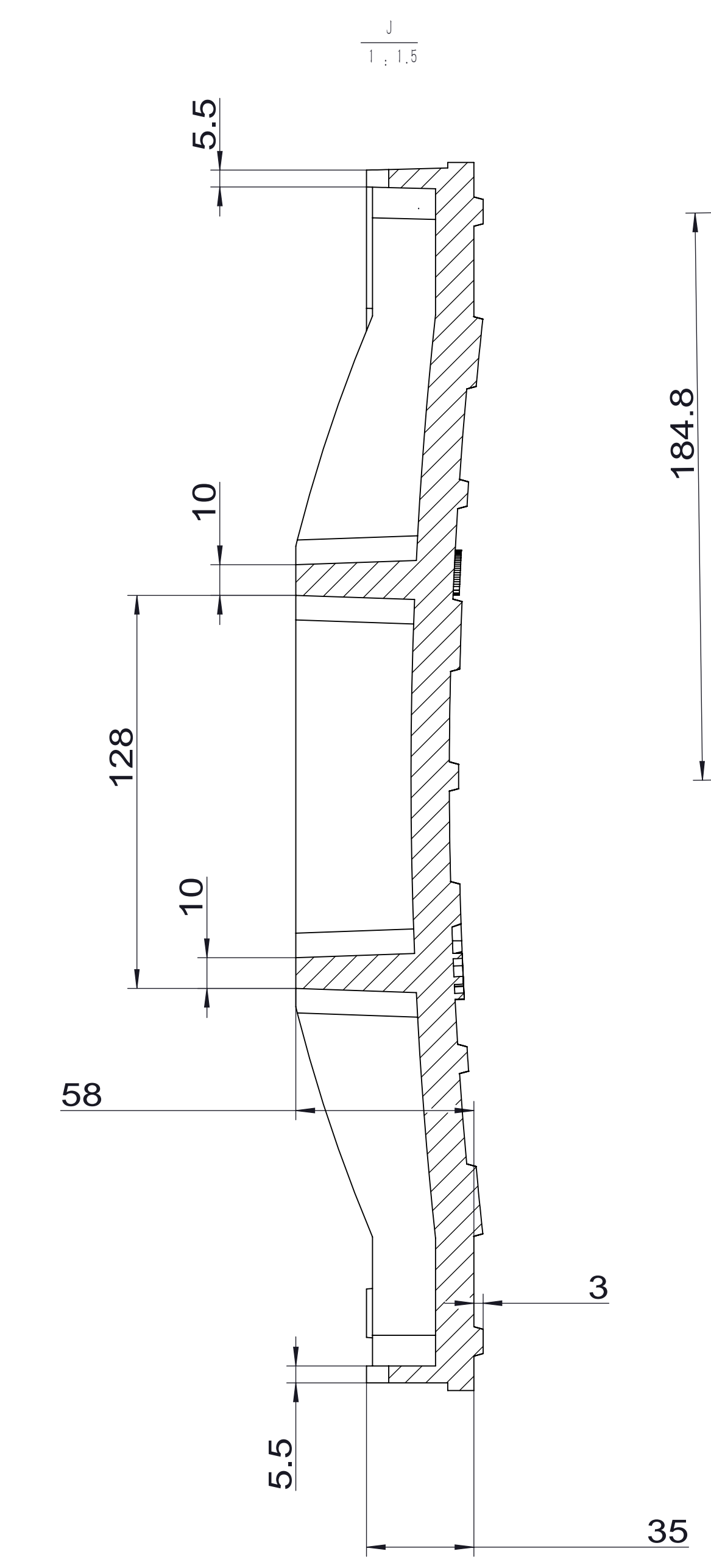


MATERIAL	GJS500-7	WEIGHT	7.4kg	CLASS	EN124-2 C250	SCALE		MARK:	
						SIZE	495X495X60	CERTIFICATE NO. /	
						NAME	L-GSGEN-250CL	PRODUCT CODE	
						ITEM CODE			
						DESIGN DATE	2017/6/26	EDITION	0
								SHEET	1/3





EN124-2 C250 500X500



MATERIAL	GJS500-7	WEIGHT	11.8KG	CLASS	EN124-2 C250	SCALE	MARK:
						SIZE	CERTIFICATE NO. /
						495X495X60	PRODUCT CODE
						NAME	
						ITEM CODE	L-GSGEN-250CL
						DESIGN DATE	EDITION
						2017/6/26	0
							SHEET
							1/3

