

(EN) Assembly instructions

(DE) Montageanleitung

(DA) Montagevejledning

(IT) Istruzioni di Montaggio

(FR) Notice de Montage

(SV) Monteringsanvisning

(CS) Montážní Návod

(NL) Montage Instructies

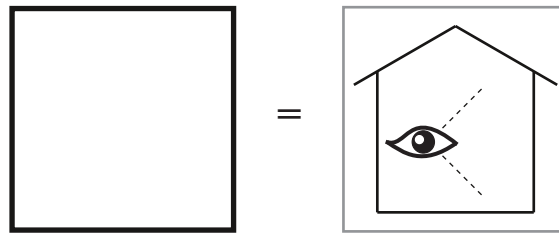
(SL) Navodila za Montažo



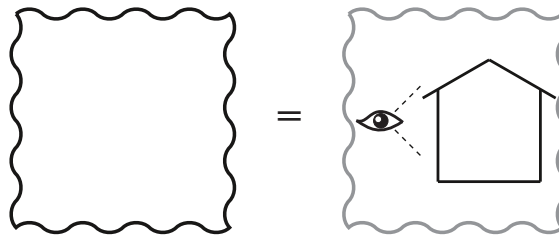
Vitavia
- makes living grow

VM0066-D
5800, 8500, 11200, 13900, 16600,

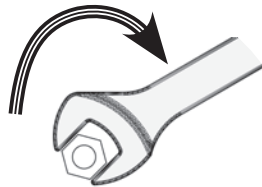
	Contents Inhalt Indhold	Page Seite Side
	Table of Contents Inhaltsverzeichnis Indholdsfortegnelse	3
	Symbols Symbole Symboler	4 - 5
	Carton part lists Kartonteilelisten Liste over indhold i kartonnen	6 - 34
	EN Safety Warning DE Sicherheitsvorkehrungen DA Sikkerhedsforskrifter EN,DE,FR,NL,DA,SV,IT,SL	36 - 53
S0	Foundation Fundament Fundament	54 - 55
S1	Sill Bars / Middle bars / Corner Posts Grundrahmen, Zwischenprofil u. Eckpfosten Bundramme, Midterprofil og hjørnestolper	56 - 64
S2	Gables / Eave Angles Giebelende u. Traufenwinkel Gavle og tagrem	66 - 73
S3	Roof Dach Tag	74 - 80
S4	Roof Vents Dachfenster Tagvindue	82 - 83
S5	Doors Tür Dør	84 - 91
S6	Glazing Verglasung Glas / Polycarbonatplader	92 - 95
S7	Finishing Abschlussarbeiten Færdiggørelse	96 - 104
S8	Down pipes Regenfallrohre Nedløbsrør	106 - 109





View from Inside
Innenansicht
Set indefra



View from Outside
Außenansicht
Set udefra



 **1002**
 $\leq 3\text{Nm}$

 **3002**
7053
 $\leq 8\text{Nm}$

Max. tightening Torque
Max. Drehmoment
Maksimalt moment



Instructions
Anleitung
Instruktion



Look closely / go to
Detail beachten / Siehe auch
Observer nøje / Se også



Mirror of
Spiegelung von
Spejl af



Not included in product!
Nicht im Lieferumfang
enthalten!
Indgår ikke i leverancen!



View from
Blickrichtung
Set fra



Outside
Außenseite
Uden for



Important!
Achtung!
Vigtigt!



Protected location!
Windgeschützter Standort!
Beskyttet placering!



Recycle
Recycelbar
Genbrugeligt



Important Tip
Hinweis
Vigtigt Tip



High Wind
Bei starkem Wind
Vind



Adjust by Hand
Ohne Werkzeug
Brug hænder



x Persons required
x Erforderliche Personen
x Personer, der kræves



Exactly square
Absolut rechtwinklig
Nøjagtig ret vinklet



Step for later
Späterer Schritt
Vises senere



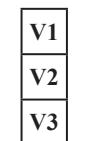
Alternative options
Alternativen
Alternative muligheder



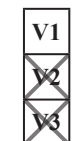
Not required
nicht benötigt
Ikke nødvendig



Incorrect!
Falsch!
Forkert!



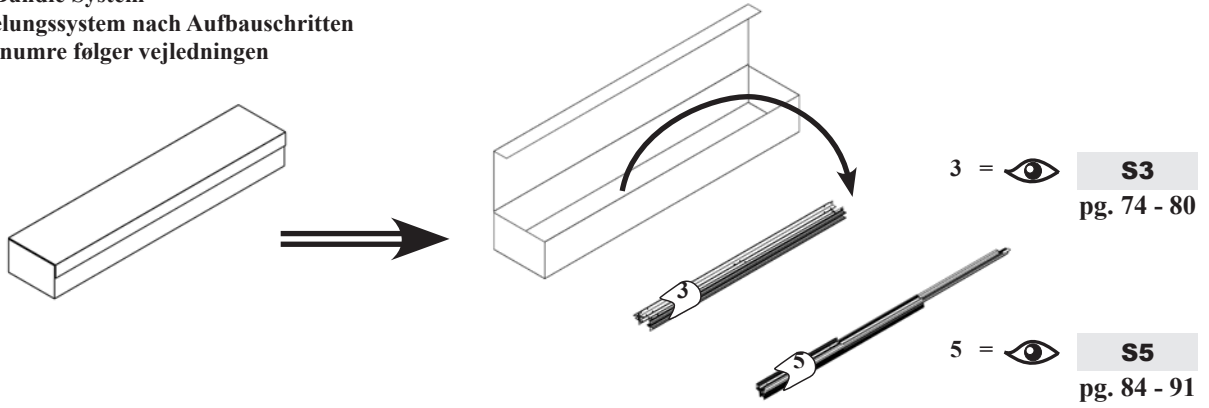
Version 1 to 3
Variante 1 bis 3
Version 1 til 3



Version 1 only
Nur Variante 1
Kun version 1



Pack Bundle System
Bündelungssystem nach Aufbauschritten
Bundtnumre følger vejledningn



Glazing Options
Verglasung möglichen
Forskellige glas muligheder

PC

Polycarbonate
Hohlkammerplatten
Kanal plader i polykarbonat

FPG

Full Pane Glass
Ganze Scheiben
Hele baner

ASP

Aluminium Sandwich Panels
Alu-Sandwich-Paneelen
Sandwichpaneler af aluminium

SPG

Split Pane Glass
Klinkerverglasung
Delt glas

FRG

Frosted Pane Glass
Nörpelglas
Uigennemsigtigt glas



Persons required.



Important!



Go to

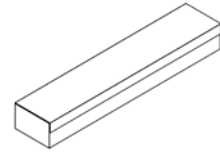


Not included in product!

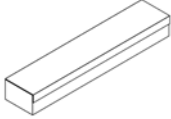
VM0066-D

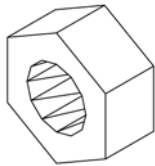


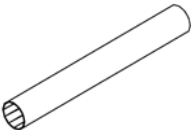


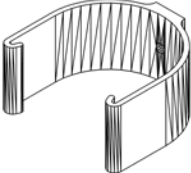

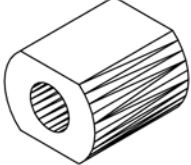

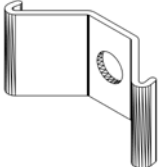
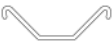
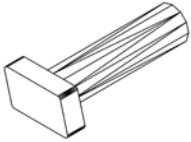

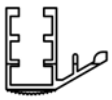
5800 = 7x
8500 = 8x
11200 = 10x

13900 = 11x
16600 = 13x

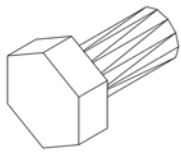

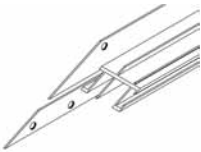
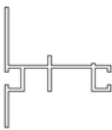
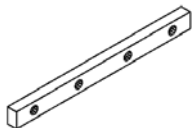

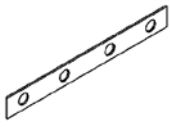

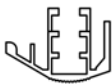


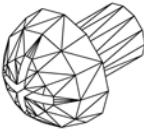


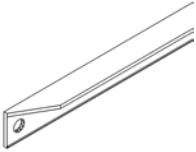

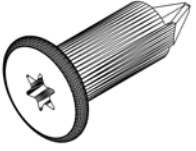
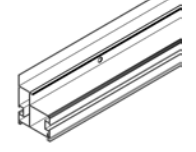
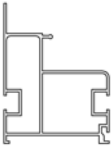

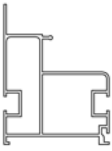
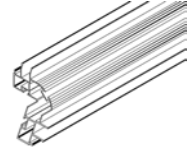
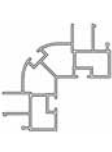
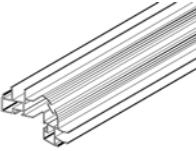
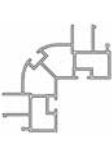
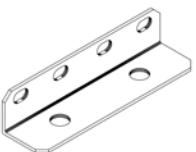


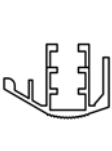

PART LIST, STÜCKLISTE, NOMENCLATURE, ONDERDELENLIJST, STYKLISTE, INNEHÅLL, ELENCO DEI PEZZI, SEZNAM DÍLŮ, KOSOVNICA.

<i>Model : VM0066-D</i>						
	<i>QUANTITY</i>					<i>PAGE</i>
	5800	8500	11200	13900	16600	
Front Gable 1/2 - DEI	1x	1x	1x	1x	1x	<i>7 - 11</i>
Front Gable 2/2 - DEI	1x	1x	1x	1x	1x	<i>12</i>
Stall Door - DEI	1x	1x	1x	1x	1x	<i>13 - 17</i>
Back Gable - DEI	1x	1x	1x	1x	1x	<i>18 - 23</i>
Side Ends 1/2 - DEI	1x	1x	1x	1x	1x	<i>24 - 27</i>
Side Ends 2/2 - DEI	1x	1x	1x	1x	1x	<i>28</i>
Side Middle - DEI	-	1x	2x	3x	4x	<i>29 - 32</i>
1x Roof Vent - DEI	1x	1x	2x	2x	3x	<i>33 - 34</i>
	7x	8x	10x	11x	13x	

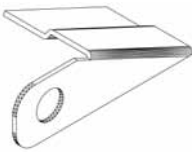
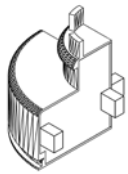
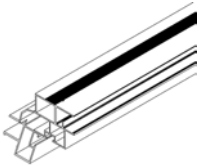
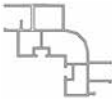
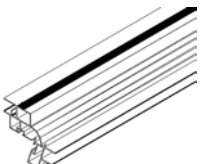

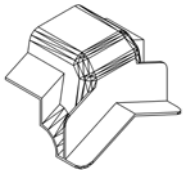

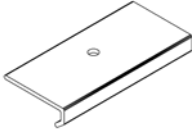



Front Gable 1/2 - DEI					Required Quantity / Model					
Item No.	Part	Section Ref.	Size mm	Quantity in Carton	5800	8500	11200	13900	16600	Profile
1002		8	M6	2x	4x	4x	4x	4x	4x	
1020	PVC 	6B	15000	1x	52000	60000	68000	76000	84000	
1401		8	240	2x	2x	2x	2x	2x	2x	
1402		8	36	2x	4x	4x	4x	4x	4x	
1403		8	20	2x	4x	4x	4x	4x	4x	
1405		8	15	2x	4x	4x	4x	4x	4x	
1409		8	20	2x	4x	4x	4x	4x	4x	
1412		8	M6x22	2x	4x	4x	4x	4x	4x	
7034		6B	733	2x	8x	8x	8x	8x	8x	

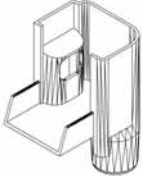
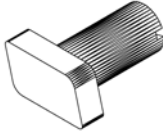
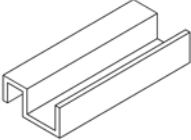

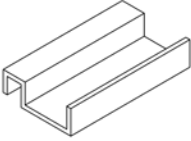

**PART LIST, STÜCKLISTE, NOMENCLATURE, ONDERDELENLIJST,
 STYKLISTE, INNEHÅLL, ELENCO DEI PEZZI, SEZNAM DÍLŮ, KOSOVNICA.**

Front Gable 1/2 - DEI					Required Quantity / Model					
Item No.	Part	Section Ref.	Size mm	Quantity in Carton	5800	8500	11200	13900	16600	Profile
7052		1 - 6	M6x12	22x	82x	122x	166x	206x	250x	
7053		1 - 7	M6x4	60x	238x	296x	360x	418x	482x	
7059		2	1123	1x	2x	2x	2x	2x	2x	
7061		1	117	4x	15x	22x	29x	36x	43x	
7062		3	235	1x	4x	6x	8x	10x	12x	
7064		1	117	1x	7x	12x	17x	22x	27x	
7074		6B	1369	1x	2x	2x	2x	2x	2x	
7075		6B	1369	1x	2x	2x	2x	2x	2x	
7080		1	M6x8	16x	60x	88x	116x	144x	172x	

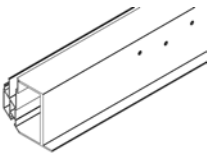
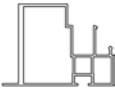
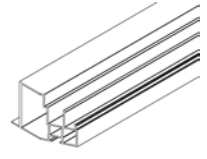


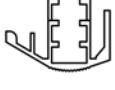






Front Gable 1/2 - DEI					Required Quantity / Model					
Item No.	Part	Section Ref.	Size mm	Quantity in Carton	5800	8500	11200	13900	16600	Profile
7084		2	1430.5	2x	4x	4x	4x	4x	4x	
7088		7A	4.2x13	2x	32x	32x	32x	32x	32x	
7091		1	1230	1x	2x	2x	2x	2x	2x	
7092		1	1230	1x	2x	2x	2x	2x	2x	
7093		1	1430	1x	2x	2x	2x	2x	2x	
7094		1	1430	1x	2x	2x	2x	2x	2x	
7095		1	117	3x	8x	10x	12x	14x	16x	
7127		6B	1418	2x	8x	12x	16x	20x	24x	
7171		6B	47.2	1x	2x	2x	2x	2x	2x	

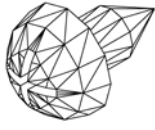
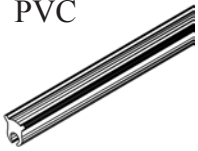

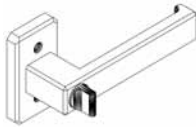
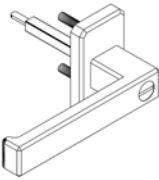


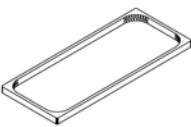
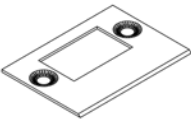
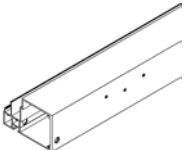
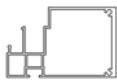
**PART LIST, STÜCKLISTE, NOMENCLATURE, ONDERDELENLIJST,
 STYKLISTE, INNEHÅLL, ELENCO DEI PEZZI, SEZNAM DÍLŮ, KOSOVNICA.**

Front Gable 1/2 - DEI					Required Quantity / Model					
Item No.	Part	Section Ref.	Size mm	Quantity in Carton	5800	8500	11200	13900	16600	Profile
7172		6B	47.2	1x	2x	2x	2x	2x	2x	
7200		1	62	2x	4x	4x	4x	4x	4x	
7237		2	1362	1x	2x	2x	2x	2x	2x	
7238		2	1362	1x	2x	2x	2x	2x	2x	
7266		7A	91	1x	2x	2x	2x	2x	2x	
7289		2 6B	M6x42	30x	94x	110x	126x	142x	158x	
7342		6A	45	2x	4x	4x	4x	4x	4x	
7349		6A 8	3.9x10	4x	20x	24x	32x	40x	46x	
7370		8	71	1x	2x	2x	2x	2x	2x	

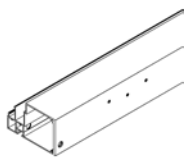
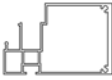
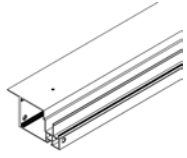
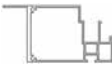
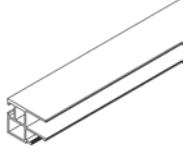
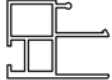
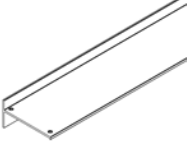



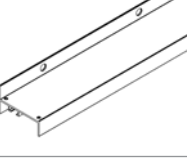

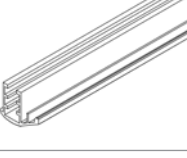

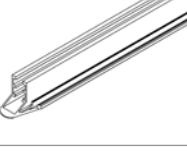



Front Gable 1/2 - DEI					Required Quantity / Model					
Item No.	Part	Section Ref.	Size mm	Quantity in Carton	5800	8500	11200	13900	16600	Profile
7371		8	71	1x	2x	2x	2x	2x	2x	
7399		1 6B	M6x12	8x	22x	22x	24x	24x	26x	
7408		6B	30	2x	4x	4x	4x	4x	4x	
7409		6B	30	2x	4x	4x	4x	4x	4x	

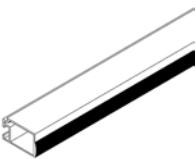
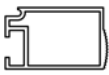
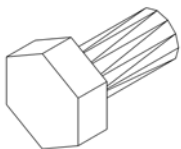


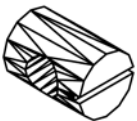
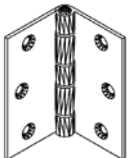
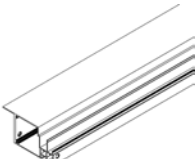

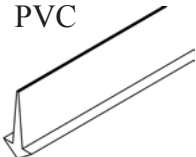

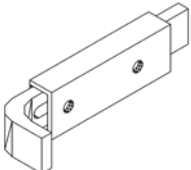
**PART LIST, STÜCKLISTE, NOMENCLATURE, ONDERDELENLIJST,
STYKLISTE, INNEHÅLL, ELENCO DEI PEZZI, SEZNAM DÍLŮ, KOSOVNICA.**

Front Gable 2/2 - DEI					Required Quantity / Model					
Item No.	Part	Section Ref.	Size mm	Quantity in Carton	5800	8500	11200	13900	16600	Profile
7046		2	1775	1x	1x	1x	1x	1x	1x	
7078		2	1775	1x	1x	1x	1x	1x	1x	
7121		6B	1451	1x	2x	2x	2x	2x	2x	
7122		6B	1451	1x	2x	2x	2x	2x	2x	
7125		6B	1802	1x	1x	1x	1x	1x	1x	
7126		6B	1802	1x	1x	1x	1x	1x	1x	

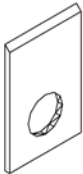
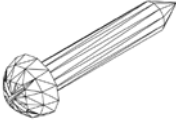
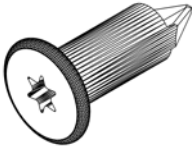
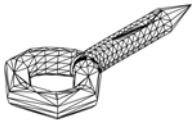
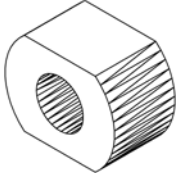


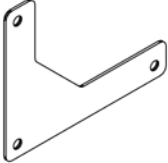

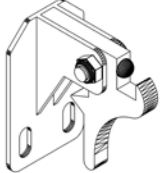
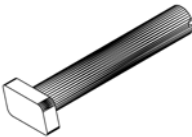
Stall Door - DEI					Required Quantity / Model					
Item No.	Part	Section Ref.	Size mm	Quantity in Carton	5800	8500	11200	13900	16600	Profile
1006		5A 5B	3.5x6	20x	30x	30x	36x	36x	42x	
1020	PVC 	6C	7000	1x	52000	60000	68000	76000	84000	
2010		5B	137.55	1x	1x	1x	1x	1x	1x	
2011		5B	137.55	1x	1x	1x	1x	1x	1x	
2013		5B	M4 x 40	2x	2x	2x	2x	2x	2x	
2019		5B	43.5	1x	1x	1x	1x	1x	1x	
2020		5B	24 x 58	1x	1x	1x	1x	1x	1x	
2026		7B	41.1 x 53	1x	1x	1x	1x	1x	1x	
7015		5B	1000	1x	1x	1x	1x	1x	1x	

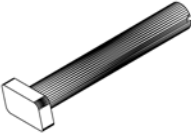
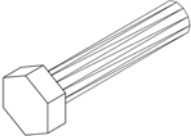
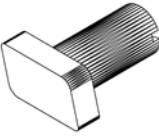
**PART LIST, STÜCKLISTE, NOMENCLATURE, ONDERDELENLIJST,
 STYKLISTE, INNEHÅLL, ELENCO DEI PEZZI, SEZNAM DÍLŮ, KOSOVNICA.**

Stall Door - DEI					Required Quantity / Model					Profile
Item No.	Part	Section Ref.	Size mm	Quantity in Carton	5800	8500	11200	13900	16600	
7017		5A	717	1x	1x	1x	1x	1x	1x	
7018		5A	717	1x	1x	1x	1x	1x	1x	
7022		5A 5B	708	4x	4x	4x	4x	4x	4x	
7023		5B	850	1x	1x	1x	1x	1x	1x	
7024		5A	850	1x	1x	1x	1x	1x	1x	
7025		5A 5B	850	2x	2x	2x	2x	2x	2x	
7031		6C	996	2x	2x	2x	2x	2x	2x	
7034		6C	733	4x	8x	8x	8x	8x	8x	
7035		6C	713	2x	2x	2x	2x	2x	2x	

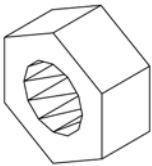



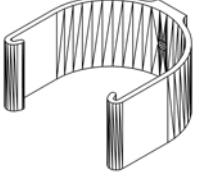

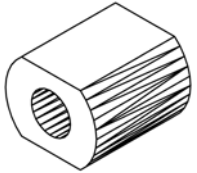

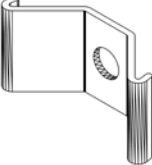

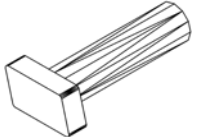
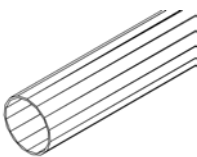


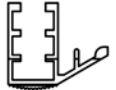
Stall Door - DEI					Required Quantity / Model					
Item No.	Part	Section Ref.	Size mm	Quantity in Carton	5800	8500	11200	13900	16600	Profile
7036		2	922	1x	1x	1x	1x	1x	1x	
7052		5A 5B	M6x12	6x	82x	122x	166x	206x	250x	
7053		5A 5B 6 7B	M6x4	36x	238x	296x	360x	418x	482x	
7054		5A 5B	M6x100	8x	8x	8x	8x	8x	8x	
7055		5A 5B	M6x10 x14	8x	8x	8x	8x	8x	8x	
7066		5A 5B	75	4x	4x	4x	4x	4x	4x	
7079		5B	1000	1x	1x	1x	1x	1x	1x	
7083	PVC 	5A 5B	900	2x	2x	2x	2x	2x	2x	
7085		5A	95	1x	1x	1x	1x	1x	1x	

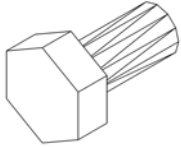

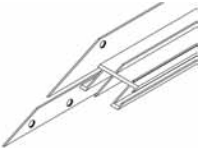
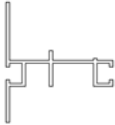
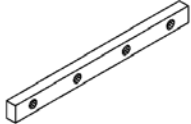

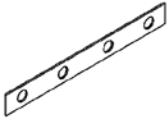




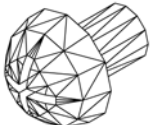
PART LIST, STÜCKLISTE, NOMENCLATURE, ONDERDELENLIJST, STYKLISTE, INNEHÅLL, ELENCO DEI PEZZI, SEZNAM DÍLŮ, KOSOVNICA.

Stall Door - DEI					Required Quantity / Model					
Item No.	Part	Section Ref.	Size mm	Quantity in Carton	5800	8500	11200	13900	16600	Profile
7086		5B	23	1x	1x	1x	1x	1x	1x	
7087		5A	5 x 30	2x	2x	2x	2x	2x	2x	
7088		5A 5B 7B	4.2x13	30x	32x	32x	32x	32x	32x	
7111		7B	35	1x	1x	1x	1x	1x	1x	
7112		7B	8	1x	1x	1x	1x	1x	1x	
7113		7B	100	1x	1x	1x	1x	1x	1x	
7114		5A 5B	138	4x	4x	4x	4x	4x	4x	
7283		7B	60	1x	1x	1x	1x	1x	1x	
7288		6C	M6x38	10x	10x	10x	10x	10x	10x	

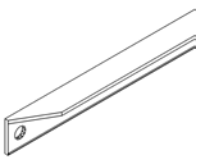

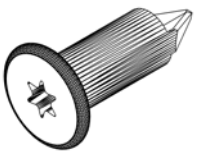
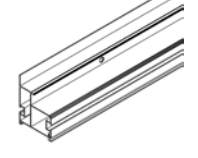
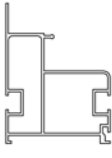

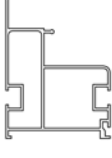
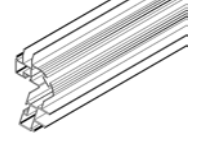

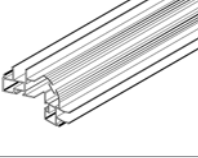

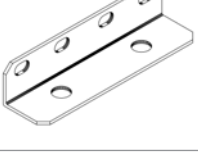

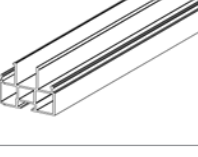
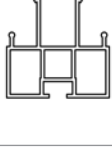

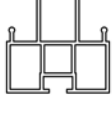
Stall Door - DEI					Required Quantity / Model					
Item No.	Part	Section Ref.	Size mm	Quantity in Carton	5800	8500	11200	13900	16600	Profile
7289		6C	M6x42	12x	94x	110x	126x	142x	158x	
7390		2	M6x30	4x	4x	4x	4x	4x	4x	
7399		7B	M6x12	4x	22x	22x	24x	24x	26x	


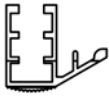

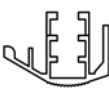

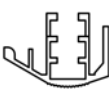



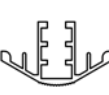

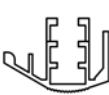

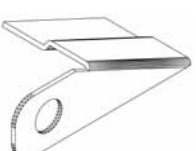
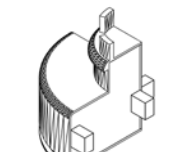
PART LIST, STÜCKLISTE, NOMENCLATURE, ONDERDELENLIJST, STYKLISTE, INNEHÅLL, ELENCO DEI PEZZI, SEZNAM DÍLŮ, KOSOVNICA.

Back Gable - DEI					Required Quantity / Model					
Item No.	Part	Section Ref.	Size mm	Quantity in Carton	5800	8500	11200	13900	16600	Profile
1002		8	M6	2x	4x	4x	4x	4x	4x	
1020	PVC 	6B	20000	1x	52000	60000	68000	76000	84000	
1402		8	36	2x	4x	4x	4x	4x	4x	
1403		8	20	2x	4x	4x	4x	4x	4x	
1405		8	15	2x	4x	4x	4x	4x	4x	
1409		8	20	2x	4x	4x	4x	4x	4x	
1412		8	M6x22	2x	4x	4x	4x	4x	4x	
1418		8	1345	2x	2x	2x	2x	2x	2x	
7034		6B	733	2x	8x	8x	8x	8x	8x	

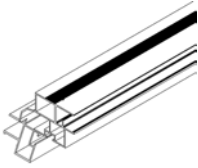
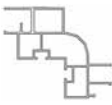
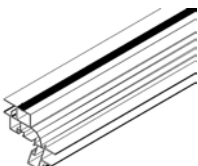

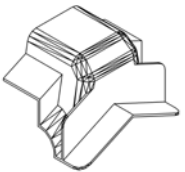
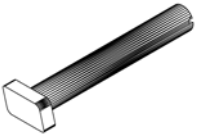
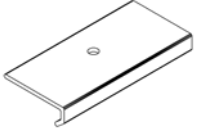

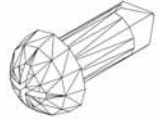

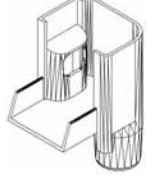
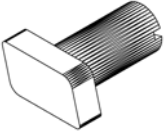
Back Gable - DEI					Required Quantity / Model					
Item No.	Part	Section Ref.	Size mm	Quantity in Carton	5800	8500	11200	13900	16600	Profile
7052		1 - 6	M6x12	22x	82x	122x	166x	206x	250x	
7053		1 - 7	M6x4	66x	238x	296x	360x	418x	482x	
7059		2	1123	1x	2x	2x	2x	2x	2x	
7061		1	117	4x	15x	22x	29x	36x	43x	
7062		3	235	1x	4x	6x	8x	10x	12x	
7064		1	117	1x	7x	12x	17x	22x	27x	
7074		6B	1369	1x	2x	2x	2x	2x	2x	
7075		6B	1369	1x	2x	2x	2x	2x	2x	
7080		1	M6x8	16x	60x	88x	116x	144x	172x	

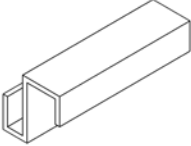

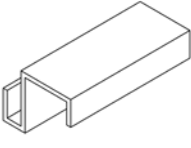
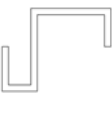
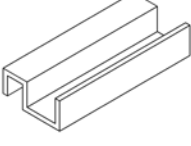

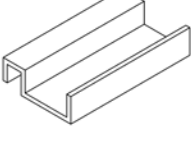

**PART LIST, STÜCKLISTE, NOMENCLATURE, ONDERDELENLIJST,
 STYKLISTE, INNEHÅLL, ELENCO DEI PEZZI, SEZNAM DÍLŮ, KOSOVNICA.**

Back Gable - DEI					Required Quantity / Model					Profile
Item No.	Part	Section Ref.	Size mm	Quantity in Carton	5800	8500	11200	13900	16600	
7084		2	1430.5	2x	4x	4x	4x	4x	4x	
7088		7A	4.2x13	2x	32x	32x	32x	32x	32x	
7091		1	1230	1x	2x	2x	2x	2x	2x	
7092		1	1230	1x	2x	2x	2x	2x	2x	
7093		1	1430	1x	2x	2x	2x	2x	2x	
7094		1	1430	1x	2x	2x	2x	2x	2x	
7095		1	117	3x	8x	10x	12x	14x	16x	
7096		2	1775	1x	1x	1x	1x	1x	1x	
7097		2	1775	1x	1x	1x	1x	1x	1x	



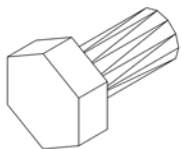

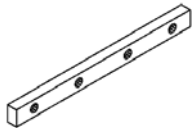


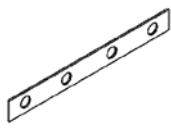
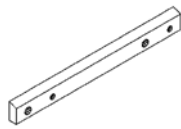
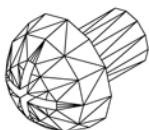
Back Gable - DEI					Required Quantity / Model					
Item No.	Part	Section Ref.	Size mm	Quantity in Carton	5800	8500	11200	13900	16600	Profile
7118		6B	929	1x	1x	1x	1x	1x	1x	
7121		6B	1451	1x	2x	2x	2x	2x	2x	
7122		6B	1451	1x	2x	2x	2x	2x	2x	
7123		6B	1802	1x	1x	1x	1x	1x	1x	
7124		6B	1802	1x	1x	1x	1x	1x	1x	
7127		6B	1418	2x	8x	12x	16x	20x	24x	
7171		6B	47.2	1x	2x	2x	2x	2x	2x	
7172		6B	47.2	1x	2x	2x	2x	2x	2x	
7200		1	62	2x	4x	4x	4x	4x	4x	

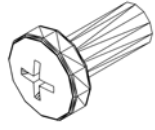
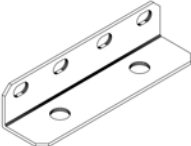




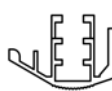


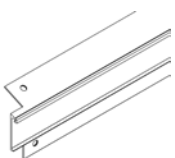

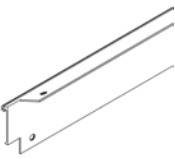

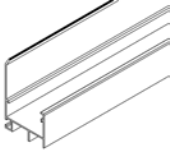
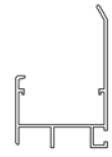
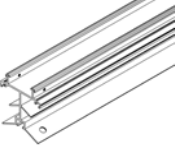

PART LIST, STÜCKLISTE, NOMENCLATURE, ONDERDELENLIJST, STYKLISTE, INNEHÅLL, ELENCO DEI PEZZI, SEZNAM DÍLŮ, KOSOVNICA.

Back Gable - DEI					Required Quantity / Model					
Item No.	Part	Section Ref.	Size mm	Quantity in Carton	5800	8500	11200	13900	16600	Profile
7237		2	1362	1x	2x	2x	2x	2x	2x	
7238		2	1362	1x	2x	2x	2x	2x	2x	
7266		7A	91	1x	2x	2x	2x	2x	2x	
7289		2 6B	M6x42	36x	94x	110x	126x	142x	158x	
7342		6A	45	2x	4x	4x	4x	4x	4x	
7349		6A 8	3.9x10	4x	20x	24x	32x	40x	46x	
7370		8	71	1x	2x	2x	2x	2x	2x	
7371		8	71	1x	2x	2x	2x	2x	2x	
7399		1 6B	M6x12	8x	22x	22x	24x	24x	26x	

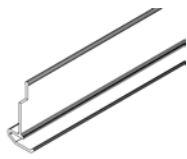

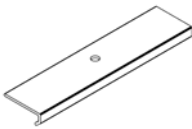

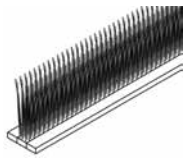

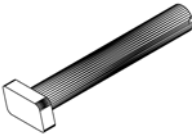
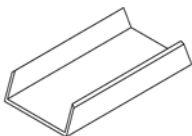

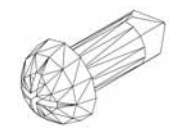
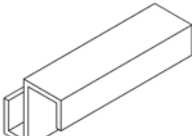

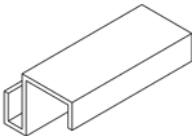
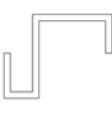


Back Gable - DEI					Required Quantity / Model					
Item No.	Part	Section Ref.	Size mm	Quantity in Carton	5800	8500	11200	13900	16600	Profile
7406		6B	30	2x	6x	8x	10x	12x	14x	
7407		6B	30	2x	6x	8x	10x	12x	14x	
7408		6B	30	2x	4x	4x	4x	4x	4x	
7409		6B	30	2x	4x	4x	4x	4x	4x	


PART LIST, STÜCKLISTE, NOMENCLATURE, ONDERDELENLIJST, STYKLISTE, INNEHÅLL, ELENCO DEI PEZZI, SEZNAM DÍLŮ, KOSOVNICA.

Side Ends 1/2 - DEI					Required Quantity / Model					
Item No.	Part	Section Ref.	Size mm	Quantity in Carton	5800	8500	11200	13900	16600	Profile
1020	PVC 	6B	10000	1x	52000	60000	68000	76000	84000	
7052		1 - 6	M6x12	44x	82x	122x	166x	206x	250x	
7053		1 - 7	M6x4	66x	238x	296x	360x	418x	482x	
7061		1 3 6A	117	7x	15x	22x	29x	36x	43x	
7062		3	235	2x	4x	6x	8x	10x	12x	
7063		3	255	4x	4x	8x	12x	16x	20x	
7064		1 3 6A	117	5x	7x	12x	17x	22x	27x	
7065		3	140	2x	2x	4x	6x	8x	10x	
7080		1 3 6A	M6x8	28x	60x	88x	116x	144x	172x	

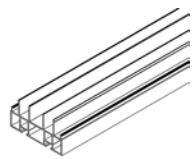

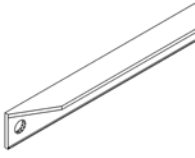

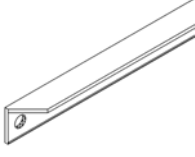

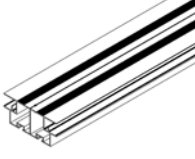

Side Ends 1/2 - DEI					Required Quantity / Model					
Item No.	Part	Section Ref.	Size mm	Quantity in Carton	5800	8500	11200	13900	16600	Profile
7081		3	M5x13	4x	4x	8x	12x	16x	20x	
7095		1	117	2x	8x	10x	12x	14x	16x	
7119		6B	988	4x	4x	6x	8x	10x	12x	
7127		6B	1418	4x	8x	12x	16x	20x	24x	
7152		1	1031	4x	4x	6x	8x	10x	12x	
7153		2	1050	2x	2x	2x	2x	2x	2x	
7154		2	1050	2x	2x	2x	2x	2x	2x	
7156		6A	1050	4x	4x	4x	4x	4x	4x	
7158		3	1031	2x	2x	3x	4x	5x	6x	



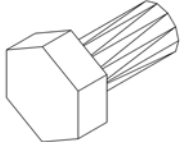

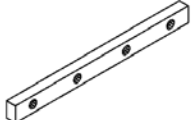


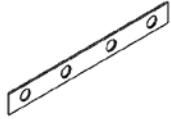
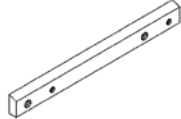
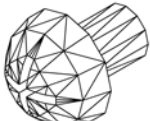
**PART LIST, STÜCKLISTE, NOMENCLATURE, ONDERDELENLIJST,
 STYKLISTE, INNEHÅLL, ELENCO DEI PEZZI, SEZNAM DÍLŮ, KOSOVNICA.**

Side Ends 1/2 - DEI					Required Quantity / Model					Profile
Item No.	Part	Section Ref.	Size mm	Quantity in Carton	5800	8500	11200	13900	16600	
7173		6A	950	4x	4x	4x	4x	4x	4x	
7240		6A	88	2x	2x	4x	6x	8x	10x	
7261		3	1031	4x	4x	6x	8x	10x	12x	
7289		2 6B	M6x42	22x	94x	110x	126x	142x	158x	
7292		6A	100	2x	2x	4x	6x	8x	10x	
7349		6A	3.9x10	12x	20x	24x	32x	40x	46x	
7406		6B	30	4x	6x	8x	10x	12x	14x	
7407		6B	30	4x	6x	8x	10x	12x	14x	
7423		6A	30	8x	8x	12x	16x	20x	24x	

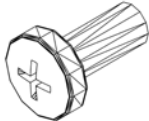
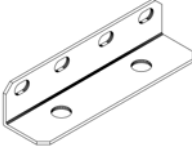

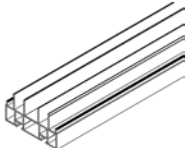
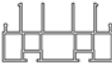

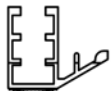

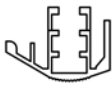

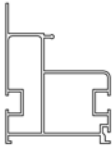
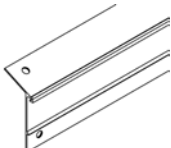

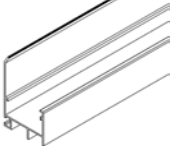
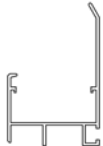
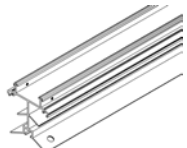
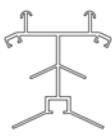
Side Ends 1/2 - DEI					Required Quantity / Model					
Item No.	Part	Section Ref.	Size mm	Quantity in Carton	5800	8500	11200	13900	16600	Profile
7497	ACRYLIC 	6A	55000	1x	1x	1x	1x	1x	1x	

**PART LIST, STÜCKLISTE, NOMENCLATURE, ONDERDELENLIJST,
STYKLISTE, INNEHÅLL, ELENCO DEI PEZZI, SEZNAM DÍLŮ, KOSOVNICA.**

Side Ends 2/2 - DEI					Required Quantity / Model					
Item No.	Part	Section Ref.	Size mm	Quantity in Carton	5800	8500	11200	13900	16600	Profile
7098		1	1400	2x	2x	4x	6x	8x	10x	
7099		2	1723.5	4x	4x	4x	4x	4x	4x	
7159		3	1672	4x	4x	4x	4x	4x	4x	
7256		3	1356	2x	2x	4x	6x	8x	10x	



Side Middle- DEI					Required Quantity / Model					
Item No.	Part	Section Ref.	Size mm	Quantity in Carton	5800	8500	11200	13900	16600	Profile
1020	PVC 	6B	8000	1x	52000	60000	68000	76000	84000	
7052		1 - 6	M6x12	44x	82x	122x	166x	206x	250x	
7053		1 - 7	M6x4	62x	238x	296x	360x	418x	482x	
7061		1 3 6A	117	7x	15x	22x	29x	36x	43x	
7062		3	235	2x	4x	6x	8x	10x	12x	
7063		3	255	4x	4x	8x	12x	16x	20x	
7064		1 3 6A	117	5x	7x	12x	17x	22x	27x	
7065		3	140	2x	2x	4x	6x	8x	10x	
7080		1 3 6A	M6x8	28x	60x	88x	116x	144x	172x	

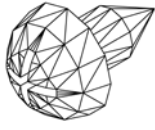
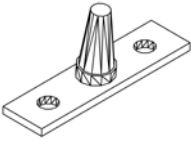
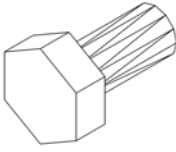

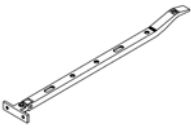
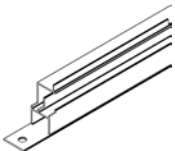

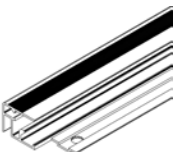

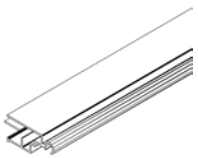

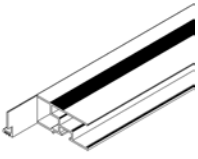
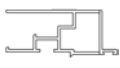
**PART LIST, STÜCKLISTE, NOMENCLATURE, ONDERDELENLIJST,
 STYKLISTE, INNEHÅLL, ELENCO DEI PEZZI, SEZNAM DÍLŮ, KOSOVNICA.**

Side Middle- DEI					Required Quantity / Model					
Item No.	Part	Section Ref.	Size mm	Quantity in Carton	5800	8500	11200	13900	16600	Profile
7081		3	M5x13	4x	4x	8x	12x	16x	20x	
7095		1	117	2x	8x	10x	12x	14x	16x	
7098		1	1400	2x	2x	4x	6x	8x	10x	
7119		6B	988	2x	4x	6x	8x	10x	12x	
7127		6B	1418	4x	8x	12x	16x	20x	24x	
7152		1	1031	2x	4x	6x	8x	10x	12x	
7155		2	1031	2x	2x	4x	6x	8x	10x	
7157		6A	1031	2x	2x	4x	6x	8x	10x	
7158		3	1031	1x	2x	3x	4x	5x	6x	

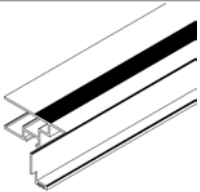

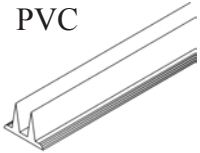

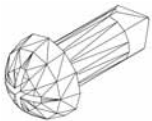
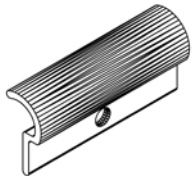

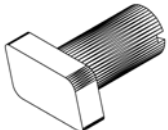
Side Middle- DEI					Required Quantity / Model					
Item No.	Part	Section Ref.	Size mm	Quantity in Carton	5800	8500	11200	13900	16600	Profile
7170		6A	962	2x	-	2x	4x	6x	8x	
7240		6A	88	2x	2x	4x	6x	8x	10x	
7256		3	1356	2x	2x	4x	6x	8x	10x	
7261		3	1031	2x	4x	6x	8x	10x	12x	
7289		2 6B	M6x42	18x	94x	110x	126x	142x	158x	
7292		6A	100	2x	2x	4x	6x	8x	10x	
7349		6A	3.9x10	6x	20x	24x	32x	40x	46x	
7406		6B	30	2x	6x	8x	10x	12x	14x	
7407		6B	30	2x	6x	8x	10x	12x	14x	

**PART LIST, STÜCKLISTE, NOMENCLATURE, ONDERDELENLIJST,
STYKLISTE, INNEHÅLL, ELENCO DEI PEZZI, SEZNAM DÍLŮ, KOSOVNICA.**

Side Middle- DEI					Required Quantity / Model					
Item No.	Part	Section Ref.	Size mm	Quantity in Carton	5800	8500	11200	13900	16600	Profile
7423		6A	30	4x	8x	12x	16x	20x	24x	

1x Roof Vent- DEI					Required Quantity / Model					
Item No.	Part	Section Ref.	Size mm	Quantity in Carton	5800	8500	11200	13900	16600	Profile
1006		4 7A	3.5x6	6x	30x	30x	36x	36x	42x	
6056		7A	46	2x	2x	2x	4x	4x	6x	
7052		4	M6x12	4x	82x	122x	166x	206x	250x	
7053		4 7A	M6x4	6x	238x	296x	360x	418x	482x	
7090		4	324	1x	1x	1x	2x	2x	3x	
7167		7A	1019	1x	1x	1x	2x	2x	3x	
7168		4	968	1x	1x	1x	2x	2x	3x	
7169		4	968	1x	1x	1x	2x	2x	3x	
7247 (7291)		4	674	1x	1x	1x	2x	2x	3x	

**PART LIST, STÜCKLISTE, NOMENCLATURE, ONDERDELENLIJST,
STYKLISTE, INNEHÅLL, ELENCO DEI PEZZI, SEZNAM DÍLŮ, KOSOVNICA.**

1x Roof Vent- DEI					Required Quantity / Model					
Item No.	Part	Section Ref.	Size mm	Quantity in Carton	5800	8500	11200	13900	16600	Profile
7248 (7291)		4	674	1x	1x	1x	2x	2x	3x	
7291 (7247 & 7248)	PVC 	4	674	2x	2x	2x	4x	4x	6x	
7349		7A	3.9x10	2x	20x	24x	32x	40x	46x	
7369		7A	30	2x	2x	2x	4x	4x	6x	
7399		7A	M6x12	2x	22x	22x	24x	24x	26x	



Dear Customer,

Thank you for choosing our quality product.

We feel confident that it will bring you a lot of pleasure.



Please read these instructions carefully and completely before assembling your greenhouse.

RECOMMENDATIONS

Note: The product you have purchased is intended **only** for the growing of plants and should **only** be used for this purpose. When used for other purposes we will take no responsibility.

Site Selection: Always try to select a sunny location, sheltered from the wind as much as possible. The site selection is important to ensure best results when cultivating your plants and for the safety of you house.

0. Foundation:

The following foundation specifications are suggestions only.

Important: The foundation must extend down below the frost level.

For the erection of this greenhouse we suggest a solid foundation. It is possible to prepare this foundation from concrete, brickwork or stonework. If you have no experience with the construction of such a foundation please consult a company specialising in this work.

Important: The greenhouse should be connected to the foundation only after the greenhouse is completely assembled and it has been checked to be exactly right angular and level.

Before you begin:

Before assembling your new greenhouse, please check that all parts in the provided lists are included. Please take each bundle out of the packaging in order to identify the parts better.

The part lists are sorted according to the carton in which they are delivered.

It is important that the opened bundles do not get mixed with one another.

If something is missing please contact your retailer.


If you find that a part does not fit as shown **do not** make any changes to the part. Please contact your retailer, who will guide you to the relevant customer service partner.

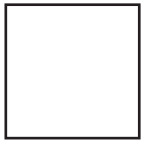
Our policy is one of continuous improvement and we reserve the right to change the specifications without prior notice. This can lead to small differences between your product and that shown in this manual.



Choking Hazard -
Contains small parts

SAFETY NOTICE

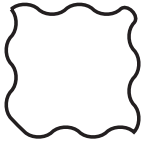
- **Sharp edges and corners can cause injury.** Always wear protective glasses, gloves, shoes and headgear when handling the aluminium profiles, glass and polycarbonate sheets. Broken glass is a safety hazard – always clear up immediately and dispose of with care.
- **It is recommended that this greenhouse is assembled by two to three people.**
- **Important! Danger of crushing during assembly.**
- **Do not climb onto the roof surfaces.** There is a danger of falling.
- **The greenhouse should not be assembled during strong wind or storm conditions.**
- **The greenhouse must always be anchored.**
- **Please check the tightness of all nuts and bolts 2 weeks after completing the assembly.** 
- **In the event of high wind conditions, close the doors and all vents.**
- **In the event of heavy snowfall, clear the roof of the building or take suitable measures to support the roof. Heat the building in winter.**



Diagrams in a single frame show the view from inside the greenhouse.



Important Tip, please take note:



Diagrams in a wavy frame show the view from outside the greenhouse.



Is not included in carton.

MAINTENANCE

The greenhouse should be thoroughly washed with a gentle detergent occasionally. The glass can be cleaned with glass cleaner. Please check that the cleaning agents used do not react aggressively with aluminium or plastic.

If you are unsure if the cleaning agent is appropriate please test it on a small area out of direct sunlight.



Note:

For the complete protection of your new greenhouse, we advise you to include it in your house insurance. Please take note of possible building rules relating to the positioning of greenhouses.

Please stick the included greenhouse model label onto the door bar after successfully assembling this product. This information is important in the event that replacement parts are later required.

Please keep these Assembly Instructions in a safe place, for future reference!



Note:

Please follow exactly the instructions and tips provided in this instruction manual to avoid any difficulties. Should you find a potential failure in this manual, or find a point not clearly explained, please contact your retailer.

We appreciate your suggestions and support.

A full range of greenhouse accessories, to help you make the most of this product, is available from your stockist. Please make yourself aware of these.

Sehr geehrte Kundin, sehr geehrter Kunde,
danke, dass Sie sich für unser Produkt entschieden haben.
Wir sind überzeugt, dass es Ihnen viel Freude bereiten wird.



Bitte lesen Sie diese Aufbauanleitung vor Beginn der Montage komplett durch!

EMPFEHLUNGEN

Hinweis: Das von Ihnen erworbene Produkt ist für die Aufzucht von Pflanzen konstruiert und sollte auch ausschließlich dafür genutzt werden. Bei anderweitiger Nutzung ist jegliche Haftung ausgeschlossen.

Standortwahl: Suchen Sie den sonnigsten, aber gleichzeitig auch einen windgeschützten Platz für Ihr Gewächshaus aus. Die Standortwahl ist extrem wichtig für den Aufzuchterfolg und die Sicherheit Ihres Hauses.

0. Fundament: Angaben zum Fundament sind lediglich Empfehlungen.

Das Fundament muss frostfrei gegründet werden.

Für das Aufstellen des Gewächshauses benötigen Sie einen festen Sockel. Es ist möglich, diesen festen Sockel (das Fundament) aus Beton oder aus Mauerwerk zu fertigen. Sollten Sie über keinerlei Erfahrung mit Fundamentarbeiten verfügen, wenden Sie sich bitte an einen Fachmann.

Erst wenn alles im Winkel und fertig montiert ist, verbinden Sie den Sockel mit dem unteren Bodenrahmen des Hauses.

Bevor Sie beginnen:

Bevor Sie mit der Montage Ihres Gewächshauses beginnen, überprüfen Sie, ob alle in der Liste aufgeführten Teile vorhanden sind. Nehmen Sie die einzelnen Bündel aus der Verpackung, um sie besser identifizieren zu können.

Die Teileliste ist kartonweise gegliedert.

Es ist wichtig, dass die geöffneten Bündel nicht durcheinander geraten.

Sollte trotz sorgfältigster Prüfung etwas fehlen, dann setzen Sie sich bitte mit Ihrem Lieferanten in Verbindung.

Sollte es einmal vorkommen, dass ein Teil vermeintlich nicht passt, fangen Sie nicht an zu bohren oder zu sägen. Kontaktieren Sie Ihren Vertragspartner. Der für Sie zuständige Kundendienst wird sich mit Ihnen in Verbindung setzen.

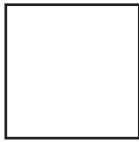
Weiterentwicklungen im Sinne des technischen Fortschritts behalten wir uns vor. So können geringfügige Abweichungen in den Darstellungen entstehen.



Erstickungsgefahr -
Enthält Kleinteile

SICHERHEITSHINWEISE

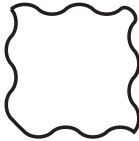
- Bei der Handhabung von Glas, Hohlkammerplatten oder Gewächshausteilen sind immer eine Schutzbrille, Handschuhe, Sicherheitsschuhe und ein Kopfschutz zu tragen, da scharfe Kanten zu Verletzungen führen können. Gebrochenes Glas ist ein Sicherheitsrisiko. Beseitigen Sie es bitte mit der gebotenen Vorsicht.
- Es wird empfohlen, dieses Gewächshaus von 2-3 Personen aufbauen zu lassen.
- Achtung! Quetschgefahr bei der Montage.
- Beim Einbau der Verglasung zusätzlich eine Schutzbrille tragen.
- Die Dachflächen dürfen nicht betreten werden. Es besteht Absturzgefahr.
- Montage darf nicht bei starkem Wind oder Sturm erfolgen.
- Nach 2 Wochen bitte alle Schraubverbindungen nachziehen
- Das Gewächshaus muss immer verankert werden.
- Kontrollieren Sie nach 14 Tagen den festen Sitz der Muttern. **14**
- Dächer von Gewächshäusern sind so rechtzeitig von Schnee zu räumen, dass keine gefährliche Schneebelastung eintreten kann. Bei stärkeren Schneefällen muss das Dach schnellstmöglich freigeräumt werden.
- Bei starkem Wind sollten alle Öffnungen (Fenster und Türen) geschlossen werden, da der Wind sonst mehr Angriffsfläche erhält.
- Beheizen Sie das Gewächshaus im Winter.



**Abbildungen mit einfachem
Rahmen:
Innenansicht**



**Wichtiger Hinweis,
unbedingt zu beachten**



**Abbildungen mit gewelltem
Rahmen:
Aussenansicht**



**Gehört nicht zum
Lieferumfang.**

WARTUNG UND PFLEGE

Das Gewächshaus sollte hin und wieder gründlich mit einem neutralen Reinigungsmittel abgewaschen werden. Das Glas kann mit einem Reinigungsmittel gesäubert werden, das weder Kunststoffteile noch den Aluminiumrahmen angreift.

Sollten Sie unsicher sein, ob das von Ihnen verwendete Mittel verträglich ist, testen Sie es bitte zuerst an einer kleinen, der Sonne abgewandten Stelle.

Hinweis:



Zum vollen Schutz des Gewächshauses und zur generellen Vorbeugung empfehlen wir, das Gewächshaus mit in Ihre Hausrat- oder Gebäudeversicherung einzubeziehen. Wenden Sie sich zu diesem Zwecke an Ihren Versicherer.

Informieren Sie sich über evtl. vorhandene örtliche Bauvorschriften.

Bitte kleben Sie den beiliegenden Typenaufkleber nach dem Aufbau auf das Türprofil. Diese Modellbezeichnung ist wichtig, falls Sie später einmal Ersatzteile brauchen sollten. Bewahren Sie die Montageanleitung gut auf!



Folgen Sie genau den Angaben und Hinweisen dieser Bedienungsanleitung und Sie werden bei der Montage keine Schwierigkeiten haben. Sollten Ihnen vermeintliche Fehler in der Bedienungsanleitung auffallen oder ist Ihnen ein Passus unklar, wenden Sie sich bitte an Ihren Händler oder schreiben Sie uns an folgende e-Mail-Adresse:

kundendienst@eph-schmidt.de

Wir sind für Ihre Anregungen und Unterstützung dankbar.

Chère cliente, cher client,
 Merci d'avoir choisi notre produit.
 Nous sommes convaincus qu'il vous procurera une grande satisfaction.



Merci de lire ces instructions intégralement avant de commencer le montage !

RECOMMANDATIONS

Remarque: Le produit que vous venez d'acquérir a été conçu pour la culture de plantes et doit être utilisé exclusivement dans cet objectif. Nous excluons toute responsabilité en cas d'autre utilisation.

Choix de l'emplacement: Choisissez l'emplacement le plus ensoleillé mais aussi le mieux protégé du vent pour votre serre. Le choix de l'emplacement est extrêmement important pour la réussite de vos cultures et la sécurité de votre serre.

0. Fondation: Les indications sur les fondations ne sont que des recommandations.

Les fondations doivent être à l'abri du gel.

Vous avez besoin d'une embase solide pour installer la serre. Il est possible de réaliser cette embase (ces fondations) en béton ou en maçonnerie. Si vous n'avez aucune expérience dans le domaine de travaux de fondation, merci de vous adresser à un spécialiste.

Ce n'est que quand tout est entièrement monté et perpendiculaire que vous pourrez fixer le cadre du plancher de la cabane avec l'embase.

Avant de commencer: Avant de commencer le montage de votre serre, vérifiez que vous disposez de toutes les pièces telles qu'elles sont indiquées dans la liste. Retirez les différents paquets de l'emballage pour mieux les identifier.

La liste des pièces est triée par carton.

Il est important de ne pas mélanger les paquets ouverts.

Si, malgré nos contrôles attentifs, un élément devait manquer, merci de contacter votre fournisseur.

S'il devait arriver qu'une pièce ne soit éventuellement pas adaptée, ne commencer pas à percer ni à scier. Contactez votre partenaire de contrat. Le service après-vente compétent vous contactera.

Sous réserve de développements effectués dans l'objectif du progrès technologique. Il est donc possible que les représentations présentent de légères divergences.



Risque d'étouffement -
 Contient de petites
 pièces

CONSIGNES DE SÉCURITÉ


- **Toujours porter des lunettes et des gants de protection, des chaussures de sécurité et un casque lors de la manipulation du verre, des panneaux alvéolaires ou des éléments de la serre étant donné que les rebords coupants peuvent sinon provoquer des blessures. Le verre brisé constitue un risque. Merci de l'éliminer avec la prudence qui s'impose.**
- **Il est recommandé de faire monter cette serre par 2 ou 3 personnes.**
- **Attention ! Risques d'écrasement lors du montage.**
- **Porter en plus des lunettes de protection lors de l'installation du vitrage.**
- **Ne montez pas sur les surfaces du toit. Il y a un risque de chute.**
- **Le montage ne doit pas être effectué en cas de vent fort ou de tempête.**
- **Merci de resserrer tous les raccords vissés après 2 semaines.**
- **La serre doit toujours être ancrée.**
- **Contrôlez tous les 14 jours que les écrous sont toujours bien serrés.** 
- **Les toits des serres doivent être rangés à temps avant la chute de neige de manière à éviter toute charge dangereuse due à la neige. En cas de chutes de neige importantes, le toit doit être retiré aussi vite que possible.**
- **En cas de vents forts, toutes les ouvertures (fenêtres et portes) doivent être fermées sinon le vent dispose de davantage de surface de prise.**
- **Chauffez la serre pendant l'hiver.**



Illustration avec cadre simple :
vue intérieure

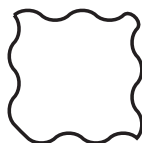


Illustration avec cadre ondulé :
vue extérieure



Remarque importante
À observer impérativement

N'est pas comprise dans la livraison.

MAINTENANCE ET ENTRETIEN

La serre doit être nettoyée de temps en temps avec un produit nettoyant neutre. Les vitres peuvent être nettoyées avec un produit qui n'attaque ni les pièces en plastique ni le cadre en aluminium.

Si vous n'êtes pas sûr que le produit que vous utilisez soit adapté, effectuez tout d'abord un essai sur une petite surface protégée du soleil.



Remarque :

Pour protéger au maximum votre serre et par prévention générale, nous recommandons de l'inclure dans votre couverture d'assurance ménagère et immobilière. Pour cela, merci de vous adresser à votre assureur.

Renseignez-vous sur les éventuelles réglementations de construction locales.

Merci de coller la plaque signalétique ci-jointe sur le profilé de la porte après le montage. La désignation du modèle est importante pour le cas où vous auriez besoin plus tard d'une pièce de rechange. Conservez ces instructions de montage soigneusement !



Remarque :

Suivez fidèlement les instructions et les indications de cette notice d'utilisation et vous n'aurez aucun problème à effectuer le montage. Si vous deviez constater d'éventuelles erreurs dans cette notice ou si un passage vous semble peu clair, veuillez contacter votre revendeur.

Merci pour vos critiques et votre soutien.

Beste klant,

Hartelijk dank voor het kiezen van ons kwaliteitsproduct.
Wij vertrouwen erop dat het u veel plezier zal opleveren.



Leest u eerst de gehele instructies door alvorens te beginnen met de opbouw van de kas.

ADVIEZEN

N.B.: Het product dat u hebt gekocht, is **uitsluitend** bestemd voor het kweken van planten en dient **uitsluitend** voor dit doel te worden gebruikt. Wanneer het voor andere doeleinden zal worden gebruikt, dragen wij hier geen verantwoordelijkheid voor.

Kiezen plaats: Probeer altijd een zonnige plaats te kiezen die zoveel mogelijk tegen wind beschermt is. De keuze van de plaats is belangrijk om de beste resultaten te behalen bij het kweken van uw planten en voor de veiligheid van uw kas.

0. Fundering: De volgende funderingsspecificaties zijn alleen maar suggesties.

Belangrijk: De fundering moet tot beneden de vorstgrens zitten.

Wij adviseren een vaste fundering om deze kas op te zetten. Deze fundering kan worden voorbereid met beton, metsel- of steenwerk. Als u geen ervaring hebt met het maken van een dergelijke fundering, moet u een bedrijf raadplegen dat zich in dit werk specialiseert.

Belangrijk: De kas dient pas op de fundering te worden gemonteerd nadat de kas volledig is gemonteerd en gecontroleerd is of zij haaks en waterpas staat.

Voordat u begint: Controleer a.u.b. of u alle onderdelen op de meegeleverde lijst hebt voordat u begint aan het in elkaar zetten van uw nieuwe kas. Haal a.u.b. elk pakket uit de doos om de onderdelen beter te identificeren.

De onderdelenlijsten zijn gesorteerd volgens de doos waarin zij worden geleverd.

Het is belangrijk dat de open pakketten niet door elkaar gehaald worden.

Als er onderdelen ontbreken, neem dan a.u.b. contact op met uw leverancier.

Als u merkt dat een onderdeel niet past zoals op de tekening, breng dan **geen** veranderingen aan het onderdeel aan. Neem a.u.b. contact op met uw leverancier, die u naar de relevante klantenservicepartner zal doorverwijzen.


Ons beleid is gebaseerd op het continu verbeteren van onze producten en hierdoor behouden wij ons het recht voor om modellen te veranderen zonder verdere berichtgeving. Dit kan ertoe leiden dat er kleine verschillen zijn tussen uw product en het product dat in deze handleiding staat.

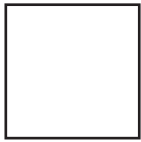


Verstikking -

Bevat kleine onderdelen

VEILIGHEIDSREGELS

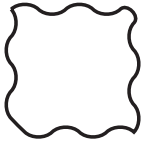
- Scherpe hoekjes en randen kunnen tot verwondingen leiden. Draag altijd een veiligheidsbril, beschermende handschoenen, schoenen en hoofdbedekking als u werkt met de aluminium profielen, glas- en polycarbonaat platen. Gebroken glas is een veiligheidsrisico - u dient het veilig en meteen op te ruimen.
- Wij raden u aan de kas met twee tot drie personen in elkaar te zetten.
- Belangrijk! Gevaar voor platdrukken tijdens de montage.
- Klim niet op de dakvlakken. Er bestaat gevaar voor vallen.
- De kas moet **niet** tijdens harde wind of storm worden gemonteerd.
- De kas moet **altijd** worden verankerd.
- Controleer a.u.b. twee weken na het voltooien van de montage of alle moertjes en boutjes vastzitten. 
- Sluit bij zware wind altijd de deuren en alle ramen.
Houd bij zware sneeuwval het dak van de kas vrij of zorg voor een goede ondersteuning van het dak. Verwarm de kas in de winter.



Op de tekeningen met het enkelvoudige frame wordt de binnenkant van de kas getoond.



Belangrijke tip, in acht nemen a.u.b.:



Op de tekeningen met het golvend frame wordt de buitenkant van de kas getoond.



Deze is niet inbegrepen.

ONDERHOUD

Om uw kas schoon te houden dient deze af toe grondig gereinigd te worden met een zacht reinigingsmiddel. Het glas kan met een glasreinigingsmiddel worden gereinigd. Zorg er a.u.b. voor dat de reinigingsmiddelen niet agressief reageren met aluminium of kunststof.

Als u niet zeker weet of het reinigingsmiddel toepasselijk is, test het dan a.u.b. op een klein stuk dat niet in de volle zon ligt.



N.B.:

Voor de gehele bescherming van uw nieuwe kas raden wij u aan om deze op te nemen in uw opstalverzekering. Denk er ook aan dat de kas aan alle bouweisen moet voldoen en houd ook rekening met de plaats van de kas.

Plak alstublieft de inbegrepen sticker van het kasmodel op het deurprofiel nadat de kas succesvol is geïnstalleerd. Deze informatie is belangrijk voor het vervangen van onderdelen in de toekomst.

Bewaar de instructies op een veilige plek zodat u deze nog altijd kunt nalezen!



N.B.:

Volg a.u.b. de instructies en tips in deze instructiehandleiding exact op om moeilijkheden te voorkomen. Mocht u een potentiële fout in deze handleiding aantreffen, of een punt dat niet duidelijk uitgelegd is, neem dan a.u.b. contact op met uw leverancier.

Wij stellen uw suggesties en steun op prijs.

Er is een compleet assortiment kasaccessoires beschikbaar bij uw leverancier om dit product ten volle te benutten. Neem hier nota van a.u.b.

Kære kunde,

Tak fordi De har valgt et Vitavia produkt. Vi er overbevist om, at De vil få megen glæde af og mange gode stunder i Deres drivhus.



Læs venligst hele denne monteringsvejledning, inden samling og opstilling af drivhuset påbegyndes.

ANBEFALINGER

Bemærk venligst! Dette produkt er konstrueret som et drivhus beregnet til planteavl og er som sådan ikke konstrueret til at være helt tæt, da det er nødvendigt med udluftning bl.a. for at undgå kondensdannelse.

Såfremt De ønsker at anvende drivhuset som et ”uderum/stue” eller lignende, gør vi udtrykkeligt opmærksom på, at drivhuset ikke er 100 % vandtæt, og at vi ikke påtager os noget ansvar for eventuelle skader på løsøre el. lign., der er anbragt i drivhuset.

Til montage af dette produkt kræves min. 2 personer.

Skulle De få problemer med drivhusmontagen eller glasisætning, bedes De kontakte Deres forhandler eller vor kundeservice på opj@opj.dk

Anvend ikke vold.

Placering: Vælg et solrigt sted, hvor der er mest muligt læ. Undgå at placere drivhuset på steder, hvor der kan opstå turbulens pga. nærtstående bygninger.

0. Fundament / Sokkel: Oplysninger vedr. fundamentet er at betragte som vejledende forslag.

Drivhuset skal opstilles på et stabilt fundament / sokkel. Soklen kan laves f.eks. som en fuldstøbt betonsokkel eller bygges op i mursten eller Leca-sten.

Soklen skal gå ned i frostfri dybde (80-90 cm) for at undgå skævvridninger.

Bundrammen skal først fastgøres til fundamentet, når hele drivhuset er færdigmonte-ret, og alt er i vater, lod og vinkel.

Vigtigt: Før De begynder at samle Deres drivhus, kontroller venligst efter indholdsfortegnelsen, at alle dele er medleveret. Tag de enkelte bundter ud af kassen for bedre at kunne kontrollere indholdet. Undgå så vidt muligt at åbne delpakkerne, før De når til det pågældende punkt i vejledningen.

Numrene på bundterne stemmer overens med nummereringen i monteringsvejledningen.

Det er vigtigt ikke at blande åbnede bundter.

Hvis der mangler noget, kontakt venligst Deres forhandler.

Såfremt De mener, at en del ikke passer, må De under ingen omstændigheder begynde at tilpasse denne del ved at bore eller save i aluminiumsprofilerne. Kontakt i stedet vor kundeservice på opj@opj.dk, der vil hjælpe Dem videre.

Vi forbeholder os ret til at foretage tekniske ændringer af produktet og dets specifikationer, hvilket kan medføre ændringer i vejledningerne.

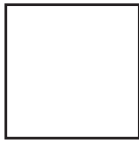
På vor hjemmeside vil De altid kunne finde den nyeste udgave af monteringsvejledningen. Såfremt denne måtte afvige væsentligt fra Deres produkt, er De velkommen til at kontakte vor kundeservice på opj@opj.dk. De kan identificere Deres udgave af vejledningen ved hjælp af det nummer, der er anført nederst på alle sider i vejledningen.



Kvælningsfare -
Indeholder små dele

SIKKERHEDSHENVISNINGER

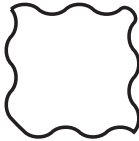
- De bør altid bruge handsker, når De arbejder med polycarbonatplader eller glas. Skarpe kanter kan forårsage skader. Der kan også forekomme skarpe kanter på kanter og hjørner på aluminiumsprofiler. Her bør De også bære handsker. Ved isætning af glas bør De også anvende beskyttelsesbriller, sikkerhedssko og hovedbeskyttelse (sikkerhedshjelm). Itugået glas udgør en sikkerhedsrisiko og bør bort-skaffes med forsigtighed.
- NB! Udvis forsigtighed ved glasmontage. Glasset kan splintre under monteringen.
- Bær gerne sikkerhedsbriller, medens glasset monteres.
- Du må ikke klatre op på tagfladerne. Der er fare for at falde ned.
- Samling af drivhuset og montering af glas bør ikke foretages i stærk blæst eller storm.
- Efter ca. 2 uger efterspændes alle bolte uden at overspænde disse. **14**



Tegninger med enkeltramme er set indefra.



NB!: Vigtigt tip! Bemærk venligst!



Tegninger med bølget ramme er set udefra.



Indgår ikke i leverancen.



VEDLIGEHOJDELSE

Drivhuset bør lejlighedsvis rengøres grundigt med et mildt rengøringsmiddel. Glasset kan rengøres med et hvilket som helst rengøringsmiddel, der ikke skader aluminiumsprofiler eller glasholdere og clips, f. eks. Vitavia drivhusrens eller brun sæbe. Test eventuelt på et mindre område, hvis De er i tvivl.

Dørskinnerne bør regelmæssigt rengøres og smøres med stearin/grafitolie.

Ved snefald fjernes sneen fra taget, således at der ikke opstår risiko for skader som følge af snebelastningen af glas og profiler. Ved kraftigt snefald og ved skiftevis tød- og frostvejr skal sne fjernes hurtigst muligt fra taget.

Ved risiko for kraftigt snefald understøttes tagryggen med en stolpe eller lign.

Ved kraftig blæst skal alle vinduer og døre lukkes. Afmonter / deaktiver eventuelle automatiske vinduesåbnere.



ANMÆRKNING

Vi anbefaler, at De sørger for, at Deres husforsikring også dækker Deres drivhus. Overhold alle byggevedtægter. Kontakt Teknisk Forvaltning i Deres kommune, hvis De er i tvivl.

Typebetegnelsen skal De bruge ved bestilling af evt. reservedele, så opbevar venligst montagevejledningen til senere brug.

Skulle De få problemer med drivhusmontagen eller glasisætning, bedes De kontakte Deres forhandler eller vor kundeservice på opj@opj.dk

Følg de beskrevne arbejdsgange meget omhyggeligt. Såfremt De mener, at der skulle være fejl ved produktet eller i vejledningen, eller hvis noget er uklart, er De velkommen til at kontakte os på opj@opj.dk. Vi forsøger løbende at opdatere vore vej-ledninger og modtager gerne input via e-mail.

Kära kund,

Tack för att ni valt en Vitavia produkt. Vi är övertygade om att du kommer få mycket glädje av ditt växthus.



Vänligen läs igenom hela monteringsanvisningen innan ni påbörjar monteringen av växthuset.

FÖRSLAG

Notera följande! Du har köpt ett växthus, som är konstruerat för odling av planter och bör uteslutande användas för detta ändamål. Vid annan användning bortfaller producentens ansvar och garantier.

För montering av detta växthus krävs minst 2 personer.

Skulle du få problem med monteringen eller glasmonteringen ombedes du kontakta din återförsäljare.

Använd inte våld.

Placering: Välj en solig plats, med mesta möjliga lä. Undvik att placera växthuset på platser där det kan uppstå turbulent vind pga närliggande byggnader.

0. Fundament / sockel: Upplysningar om fundamentet betraktas som vägledande förslag.

Växthuset skall monteras på ett stabilt fundament/sockel. Sockeln kan tillverkas som tex en helgjuten betongsockel eller byggas i betongsugor eller leca sten.

Sockeln skall fästas på frostfritt djup (80-90 cm) för att undvika sättningar.

Bottenramen skall fästas på fundamentet först när hela växthuset är färdigmonterat och allt är i lod, vågrätt och vinkelrätt.

Viktigt :Innan du börjar montera växthuset, kontrollera att alla delarna är levererade med hjälp av innehållsförteckningen. Tag ut de numrerade buntarna ur kartongerna, men undvik att öppna dem innan du kommit till den punkten i monteringen.

Numren på buntarna stämmer överens med numreringen i monteringsanvisningen.

Det är viktigt att inte blanda öppnade buntar.

Om något saknas, kontakta din återförsäljare.

Om du anser att en del inte passar, får du under inga omständigheter börja borra eller såga i aluminiumprofilen för att få den att passa. Kontakta istället din återförsäljare för hjälp.

Vi förbehåller oss rätten att göra tekniska förändringar av produkten och dess specifikationer, vilket kan föranleda förändringar i monteringsanvisningen.

På vår hemsida finns alltid den nyaste utgåvan av monteringsanvisningen. Skulle måtten avvika väsentligt från din produkt kan du kontakta din återförsäljare så kan de hjälpa till att identifiera er variant med hjälp av info som finns i din monteringsanvisning.

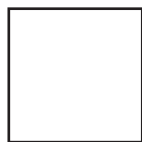


Kvävningsrisk -
Innehåller små delar

SÄKERHETSANVISNINGAR

- **Du bör alltid använda handskar, när du arbetar med polycarbonatskivor eller glas. Vassa kanter kan förorsaka skador. Det kan också förekomma vassa kanter på hörn på aluminiumprofilerna. Vid isättning av glas bör du också använda skyddsglasögon, skyddsskor och skydd för huvudet (säkerhetsk hjälm). Krossat glas utgör en säkerhetsrisk och bör föras undan med försiktighet.**
- **Obs! Vidtag försiktighet vid glasmontage. Glaset kan gå sönder under monteringen.**
- **Bär gärna skyddsglasögon, medan glaset monteras.**
- **Klättra inte upp på takytorna. Det finns risk för fall.**
- **Montering av växthuset och montering av glas bör inte göras i kraftig blåst eller storm.**
- **Efter ca. 2 veckor bör alla bultar efterdras utan att överdras.**

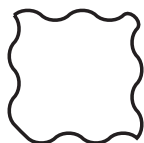
14



Ritningar med enkel ram är huset sett inifrån.



OBS!: Viktigt tips!
Notera!



Ritningar med vågig ram är huset sett utifrån.



Ingår inte i leveransen.



UNDERHÅLL

Växthuset bör regelbundet rengöras grundligt med ett mildt rengöringsmedel. Glaset kan rengöras med vilket rengöringsmedel som helst som inte skadar aluminiumprofilerna, glashållare eller clips etc. Vitavia växthusrengöring eller gul såpa tex. Testa gärna ditt medel på ett mindre område om du är osäker.

Dörrskenor bör regelbundet rengöras och smörjas med parrafin eller grafitolja.

Vid snöfall skall snön tas bort från taket så att sador ej uppstår pga för stor tyngd på glas och profiler. Vid kraftigt snöfall och vid emperurskiftningar skall snön tas bort från taket så snart som möjligt.

Vid risk för kraftigt snöfall kan takstolen stöttas med en stolpe eller liknande.

Vid kraftigt blåst skall alla fönster och dörrar reglas. Avmontera / deaktivera eventuella automatiska fönsteröppnare.



ANMÄRKNING

Vi föreslår att hemförsäkringen även täcker ert växthus. Följ alla byggnadsregler. Kontakta byggnadsnämnen i er kommun om du är osäker.

Typbeteckningen du skall använda vid eventuell efterbeställning av reservdelar finns i monteringsanvisningen, så bevara denna även efter monteringen.

Skulle du få problem med monteringen kontakt din återförsäljare.

Följ den beskrivna arbetsgången så mycket som möjligt. Skulle du anse det vara fel på produkten eller monteringsanvisningen så är du välkommen att kontakta opj@opj.dk Vi försöker att löpande uppdatera våra anvisningar och mottager gärna input via e-mejl.

Gentile cliente,
 grazie per aver deciso di acquistare il nostro prodotto.
 Siamo certi che ne sarà soddisfatto.



Leggere completamente le presenti istruzioni prima di iniziare i lavori di montaggio!

RACCOMANDAZIONI

Nota: Il prodotto acquistato è ideato per la coltivazione di piante e deve essere utilizzato esclusivamente per questo scopo. Per qualsiasi altro utilizzo si declina ogni responsabilità.

Scelta del luogo: Scegliere possibilmente un posto soleggiato, ma al contempo protetto dal vento. La scelta del posto di installazione è estremamente importante per il successo costruttivo e la sicurezza della serra.

0. Fondamenta: Le indicazioni sulle fondamenta sono solo dei suggerimenti.

Il fondamento deve essere trattato con una mano di antiruggine.

L'installazione della serra richiede un basamento solito. È possibile realizzare questo basamento (fondamenta) in calcestruzzo oppure in muratura. Se non si dovesse avere alcuna esperienza in questo campo, rivolgersi a uno specialista.

Collegare il basamento al telaio inferiore del pavimento della serra solo quando la costruzione sarà ultimata e posta ad angolo retto.

Prima di iniziare i lavori: Prima di iniziare l'operazione di montaggio della serra, accertarsi che siano presenti tutti i componenti elencati. Prelevare i componenti dall'imballaggio, per poterli identificare meglio.

L'elenco dei pezzi è suddiviso in scatole

È particolarmente importante non mischiare tra di loro i componenti aperti.

Se nonostante un accurato controllo dovessero mancare delle parti, contattate il vostro rivenditore.

Se una delle parti non dovesse combaciare, non iniziare a trapanare o a segare. Contattate il vostro rivenditore. In questo caso il servizio di assistenza vi contatterà a breve.


Ci riserviamo il diritto di applicare modifiche tecniche rivolte allo sviluppo del prodotto. Ciò potrebbe differire dalle rappresentazioni.



Rischio di
soffocamento -

0-3 Contiene piccole parti

INFORMAZIONI DI SICUREZZA

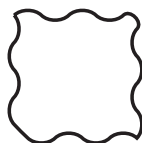
- **Durante il maneggio di vetro, pannelli di polycarbonato o componenti di serre si raccomanda di portare sempre occhiali di protezione, guanti e calzature di sicurezza nonché un elmetto protettivo, poiché gli spigoli taglienti possono causare delle lesioni. I vetri rotti costituiscono un elevato rischio per la sicurezza. Eliminare i vetri rotti con la massima prudenza.**
- **Si consiglia di far montare la serra da 2-3 persone.**
- **Attenzione! Pericolo di schiacciamento durante il montaggio.**
- **Portare gli occhiali protettivi durante l'installazione della vetratura.**
- **Non salire sulle superfici del tetto. C'è il rischio di cadere.**
- **Non eseguire il montaggio in caso di forte vento o tempesta.**
- **Stringere tutti i collegamenti a vite dopo 2 settimane.**
- **La serra deve essere sempre ancorata al suolo.**
- **Controllare ogni 14 giorni che i dadi siano stretti a fondo.** 
- **Eliminare tempestivamente la neve dai tetti delle serre in modo da evitare qualsiasi carico di neve pericoloso. In caso di forti nevicate, togliere subito il tetto dalla neve.**
- **In presenza di forte vento, tenere chiuse tutte le aperture (finestre porte), poiché in questo caso il vento avrebbe una maggiore superficie di attacco.**
- **Riscaldare la serra in inverno.**



**Figure con telai a una struttura:
Vista interna**



**Importante indicazione
Osservare assolutamente
quanto segue**



**Figure con telai a cornice
ondulata:
Vista esterna**



**Non è incluso nel volume di
consegna.**

MANUTENZIONE E ASSISTENZA

Pulire periodicamente la serra con un detergente neutro. Il vetro può essere pulito con un detergente, che non intacchi i componenti di plastica né il telaio di alluminio.

Se si dovessero avere dei dubbi circa il detergente da utilizzare, provarlo prima su una piccola superficie lontana dai raggi solari.



Nota:

Per proteggere interamente la serra a titolo preventivo, consigliamo di stipulare un'assicurazione sugli immobili e sul contenuto della casa. Per maggiori informazioni, si prega di rivolgersi al proprio assicuratore.

Informarsi eventualmente sulle norme costruttive locali.

A montaggio ultimato, incollare l'adesivo allegato sul profilo della porta. La denominazione di questo modello è importante per l'ordinazione delle parti di ricambio. Custodire gelosamente le istruzioni d'uso.



Nota:

Seguire attentamente le indicazioni e le avvertenze contenute in queste istruzioni d'uso non avrete difficoltà durante le operazioni di installazione. Se sulle istruzioni d'uso dovessero venire alla luce presunti errori, oppure se un passaggio non è chiaro, rivolgersi al proprio rivenditore o scrivere all'indirizzo di posta elettronica:

Siamo grati per qualsiasi commento o suggerimento.

Vážený zákazníku,

Děkujeme, že jste si vybrali náš produkt.

Jsme přesvědčeni, že vám přinese mnoho radosti.



Před zahájením montáže si kompletně přečtěte tento návod k montáži!

DOPORUČENÍ**Poznámka**

Zakoupený výrobek je určen k pěstování rostlin a měl by být používán pouze k tomuto účelu. Jakákoli odpovědnost za jiné použití je vyloučena.

Výběr místa

Pro skleník si vyberte co nejslunnější, ale zároveň před větrem chráněné místo. Výběr místa je nesmírně důležitý pro úspěch pěstování a bezpečnost vašeho domu.

0. Základ:

Podrobnosti o základu jsou pouze doporučením.

DŮLEŽITÉ: Vytvořte mrazuvzdornou základnu podle rozměrů uvedených v tabulce.

Pro postavení skleníku potřebujete pevný základ. Tento pevný základ (základ) je možné vyrobit z betonu nebo ze zdiva. Pokud nemáte se zakládáním žádné zkušenosti, obraťte se na odborníka.

Teprve když je vše pod úhlem a smontováno, připojte základnu ke spodnímu rámu podlahy domu.

Než začnete:

Než začnete skleník sestavovat, zkontrolujte, zda jsou k dispozici všechny díly uvedené v seznamu. Jednotlivé svazky vyjměte z obalu, abyste je mohli lépe identifikovat.

Seznam dílů je uspořádán podle krabic.

Je důležité, aby se otevřené svazky nepomíchaly.

Pokud i přes nejpečlivější kontrolu něco chybí, obraťte se na svého dodavatele.

Pokud se zdá, že díl neseďí, nezačínějte s vrtáním nebo řezáním. Obraťte se na svého smluvního partnera.

Odpovědný zákaznický servis vás bude kontaktovat.

Vyhrazujeme si právo na další vývoj v závislosti na technickém pokroku. To může mít za následek drobné odchylky v obrázcích.



Nebezpečí udušení -

Obsahuje malé části

BEZPEČNOSTNÍ POKYNY

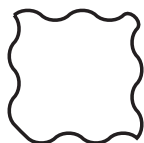
- Při manipulaci se sklem, dvojitými stěnami nebo díly skleníku vždy používejte ochranné brýle, rukavice, bezpečnostní obuv a ochranu hlavy, protože ostré hrany mohou způsobit zranění. Rozbité sklo představuje bezpečnostní riziko. Odstraňujte je s náležitou opatrností.
- Doporučujeme, aby tento skleník sestavily 2-3 osoby.
- **Pozor! Nebezpečí rozdrčení při montáži.**
- Nelezte na střešní plochy. Hrozí nebezpečí pádu.
- Montáž se nesmí provádět za silného větru nebo bouřky.
- Skleník musí být vždy ukotven.
- Po 14 dnech zkontrolujte těsnost matic. **14**
- Při silném větru by měly být všechny otvory (okna a dveře) zavřené, jinak bude mít vítr větší prostor k působení.
- Střechy skleníků musí být včas zbaveny sněhu, aby nedocházelo k nebezpečnému zatížení sněhem. V případě silného sněžení musí být střecha co nejrychleji odklizená. V zimě skleník vytápějte.



Ilustrace s jednoduchými rámečky: Pohled do interiéru



Důležité upozornění, které je třeba dodržet



Ilustrace s zvlněným rámečky: Pohled zvenčí



Není součástí kartonu.

ÚDRŽBA A PÉČE

Skleník by se měl čas od času důkladně umýt neutrálním čisticím prostředkem. Skla lze čistit čisticím prostředkem, který nenarušuje plastové části nebo hliníkový rám.

Pokud si nejste jisti, zda je používaný výrobek kompatibilní, vyzkoušejte jej nejprve na malé ploše mimo dosah slunce.



Nápověda:

Pro plnou ochranu skleníku a obecnou prevenci doporučujeme zahrnout skleník do pojištění domácnosti nebo budovy. Za tímto účelem kontaktujte svého pojistitele.

Zjistěte si informace o stávajících místních stavebních předpisech.

Po montáži nalepte na profil dveří přiloženou nálepku se vzorem. Toto označení modelu je důležité pro případ, že byste později potřebovali náhradní díly. Návod k montáži uschovejte na bezpečném místě!



Nápověda:

Dodržujte přesně informace a pokyny uvedené v tomto návodu k obsluze a při instalaci nebudete mít žádné potíže. Pokud si v návodu k obsluze všimnete chyb nebo vám některá pasáž není jasná, obraťte se na svého prodejce nebo nám napište na následující e-mailovou adresu:

kundendienst@eph-schmidt.de

Jsme vděční za vaše návrhy a podporu.

Kompletní sortiment příslušenství pro skleníky, které vám pomůže tento výrobek co nejlépe využít, je k dispozici u vašeho prodejce. Informujte se o nich.

Spoštovani kupec!

hvala, da ste se odločili za naš izdelek.

Prepričani smo, da vam bo v veliko veselje.



Prosimo, da ta navodila za postavitve pred začetkom montaže v celoti preberete!

PRIPOROČILA

Napitek: Izdelek, ki ste ga kupili, je zasnovan za gojenje rastlin in ga smete uporabljati izključno za ta namen. V primeru drugačne uporabe je vsakršna odgovornost izključena.

Izbira lege: Za vaš rastlinjak poiščite najbolj sončno lego, ki pa je hkrati tudi zaščitena pred vetrom. Izbira kraja postavitve je ozredno pomembna za uspeh gojenja rastlin varnost vaše hiše.

0. Temelj: Navedbe o temelju so samo priporočila.

Temelj mora biti postavljen zaščiteno pred zmrzaljo.

Za postavitve rastlinjaka potrebujete stabilno podnožje. To stabilno podnožje (temelj) lahko izdelate iz betona ali v obliki zidu. Če nimate izkušenj s temeljenjem, se obrnite na strokovnjaka.

Šele ko je vse pod pravim kotom in montirano, spojite podnožje s talnim okvirjem rastlinjaka.

Preden začnete: Preden začnete z montažo vašega rastlinjaka, preverite, ali so na voljo vsi deli, ki so navedeni na seznamu. Da boste to lažje ugotovili, vzemite posamezne pakete iz embalaže.

Seznam delov je razčlenjen po škatlah.

Pomembno je, da odprtih paketov ne pomešate.

Če kljub najskrbnejšemu pregledu kaj manjka, stopite v stik z dobaviteljem.


Če se kdaj zgodi, da menite, da določen del ne ustreza, ne začnite vrtati ali žagati. Stopite v stik z vašim pogodbenim partnerjem. Služba za stranke, ki je pristojna za vas, bo vzpostavila stik z vami.

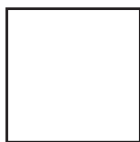
Pridržujemo si pravico do nadaljnjega razvoja v smislu tehničnega napredka. Tako se lahko pojavijo manjša odstopanja v prikazih.



Nevarnost zadušitve -
Vsebuje majhne dele

VARNOSTNA NAVODILA

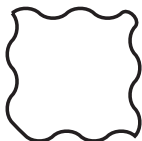
- Pri rokovanju s steklom, votlimi ploščami ali deli rastlinjaka morate vedno nositi zaščitna očala, rokavice, zaščitne rokavice in zaščito za glavo, ker se lahko na ostrih robovih poškodujete. Zlomljeno steklo predstavlja varnostno tveganje. Odstranite ga z potrebno previdnostjo.
- Priporočamo vam, da rastlinjak postavijo 2 do 3 osebe.
- Pozor! Nevarnost stisnjenja pri montaži.
- Pri vgradnji zasteklitve dodatno nosite zaščitna očala.
- Ne plezajte na strešne površine. Obstaja nevarnost padca.
- Montaža se ne sme izvajati ob močnem vetru ali viharju.
- Po 2 tednih dodatno zategnite vse vijačne spoje.
- Rastlinjak mora biti vedno sidran.
- Po 14 dneh preverite stabilno prileganje matic. 
- S streh rastlinjakov pravočasno očistite sneg, da ne pride do nevarne obremenitve s snegom. Ob močnih snežnih padavinah mora biti streha čim prej očiščena.
- Ob močnem vetru je treba vse odprtine (okna in vrata) zapreti, ker sicer veter deluje na večjo površino.
- Pozimi rastlinjak ogrevajte.



Op de tekeningen met het enkelvoudige frame wordt de binnenkant van de kas getoond.



Belangrijke tip, in acht nemen a.u.b.:



Op de tekeningen met het dubbele frame wordt de buitenkant van de kas getoond.



Ni priložen.

VZDRŽEVANJE IN NEGA

Rastlinjak občasno temeljito operite z nevtralnimi čistilom. Steklo lahko očistite s čistilnim sredstvom, ki ni agresivno do plastičnih delov in aluminijastega okvirja.

Če niste prepričani, ali je sredstvo, ki ga uporabljate, neagresivno, ga najprej preizkusite na majhnem mestu, ki ni izpostavljeno soncu.

Napotek:



Za popolno zaščito rastlinjaka in splošno preventivo vam priporočamo, da rastlinjak vključite v zavarovanje hiše in opreme. V zvezi s tem se obrnite na vašo zavarovalnico.

Pozanimajte se o morebitnih veljavnih lokalnih gradbenih predpisih.

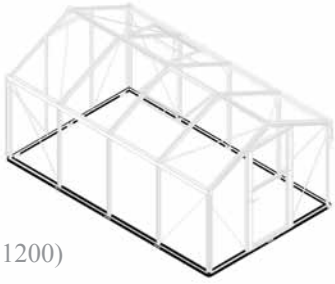
Prosimo, da priloženo tipsko nalepko po postavitvi nalepite na profil vrat. Ta oznaka modela je pomembna, če bi pozneje potrebovali nadomestne dele. Navodila za montažo dobro shranite!



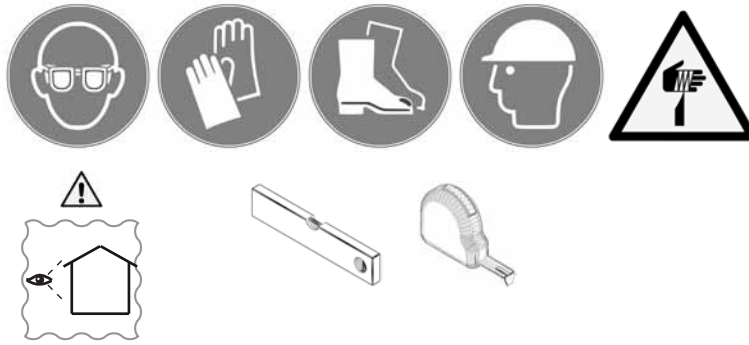
Natančno sledite navedbam in opozorilom teh navodil za uporabo in pri montaži ne boste imeli težav. Če menite, da so v navodilih za uporabo napake ali vam določen odstavek ni jasen, se obrnite na vašega prodajalca ali nam pišite na e-poštni naslov:

kundendienst@eph-schmidt.de

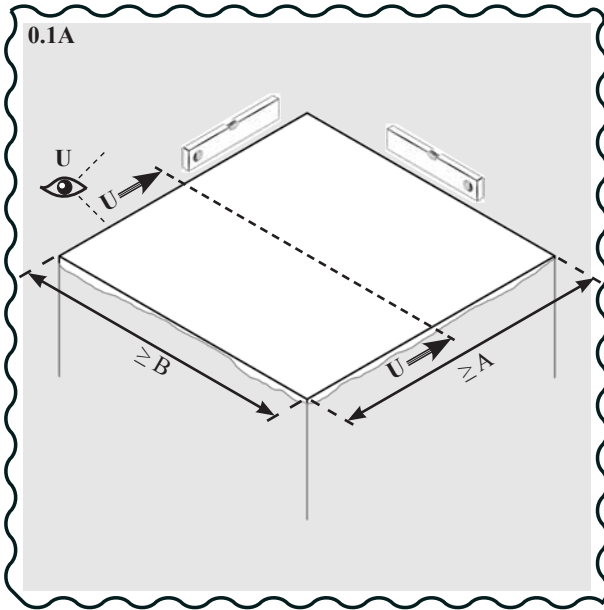
Za vaše pobude in podporo vam bomo hvaležni.



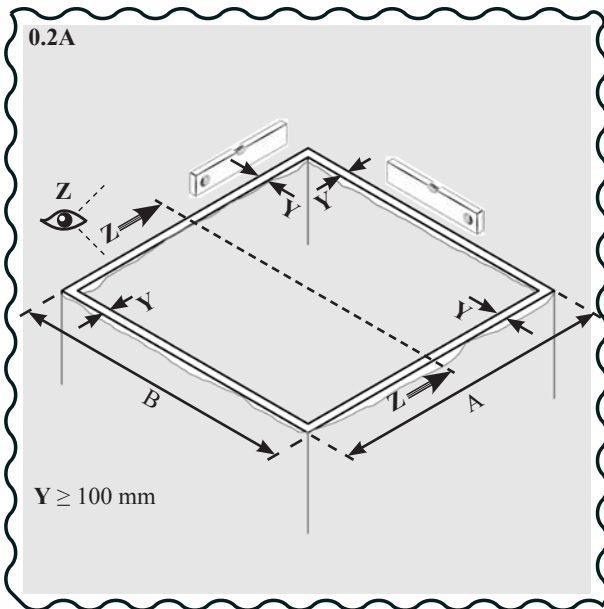
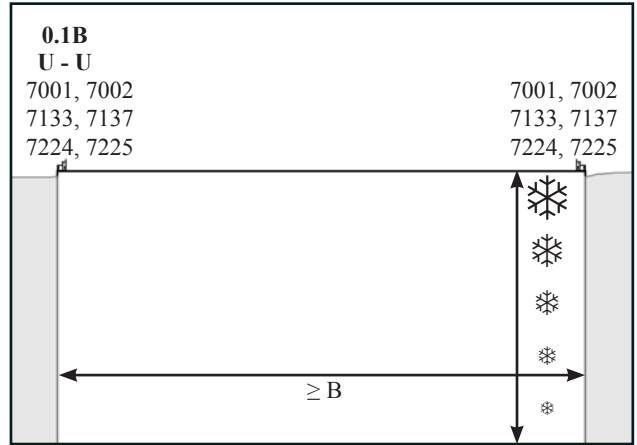
(11200)



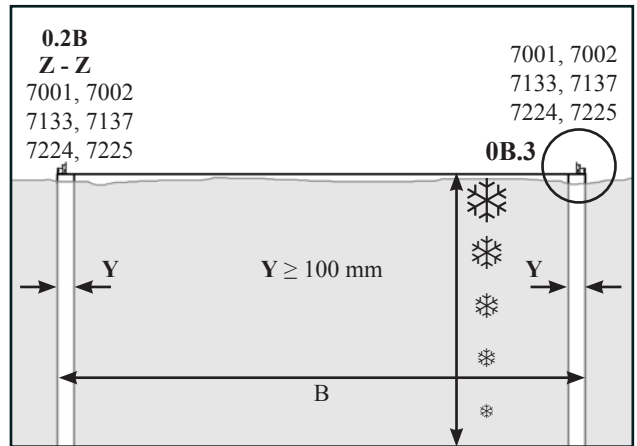
FOUNDATION, FUNDATIONS, FUNDERING, FUNDAMENT / SOKKEL, FUNDAMENT / SOKKEL, FONDAMENTA, ZAKLAD, TEMELJ.



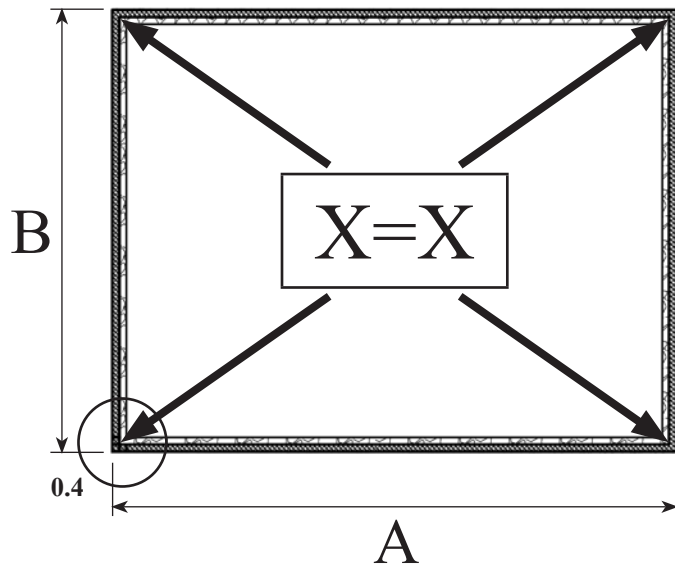
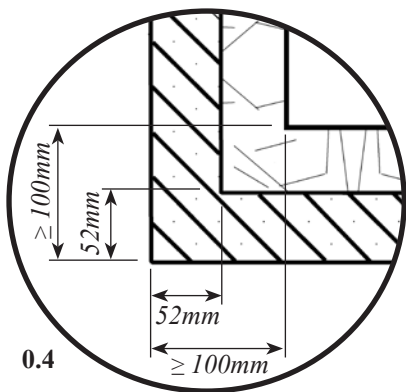
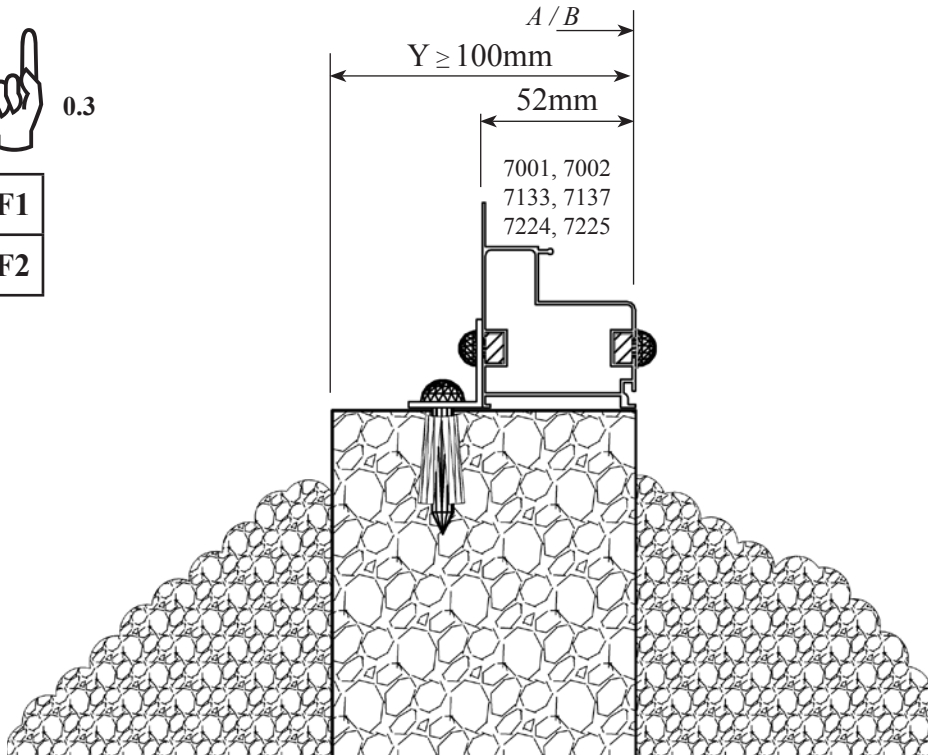
? F1



? F2

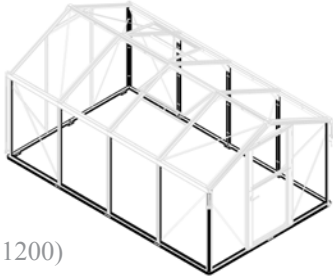


? Alternative options **View from**

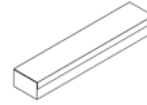
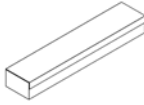


	5800	8500	11200	13900	16600	+ Side Middle
A	2168 mm	3199 mm	4230 mm	5261 mm	6292 mm	+ 1031 mm
B	2564 mm	2564 mm	2564 mm	2564 mm	2564 mm	-

Important Tip



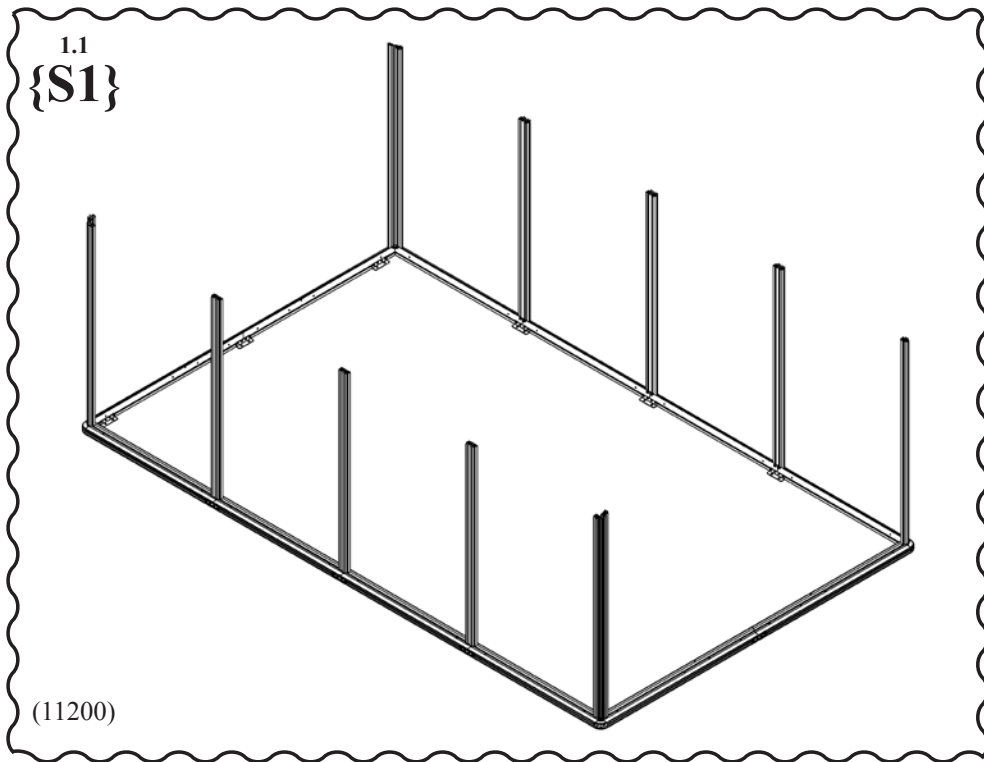
(11200)



5800	8500	11200	13900	16600	+ Ext.	CI
7052						Front Gable 1/2 - DEI & Side Middle - DEI
12x	24x	36x	48x	60x	+12x	
7053						Front Gable 1/2 - DEI & Side Middle - DEI
20x	32x	44x	56x	68x	+12x	
7061						Front Gable 1/2 - DEI & Side Middle - DEI
12x	16x	20x	24x	28x	+4x	
7064						Front Gable 1/2 - DEI & Side Middle - DEI
4x	6x	8x	10x	12x	+2x	
7080						Front Gable 1/2 - DEI & Side Middle - DEI
48x	64x	80x	96x	112x	+16x	
7095						Front Gable 1/2 - DEI & Side Middle - DEI
8x	10x	12x	14x	16x	+2x	
7200						Front Gable 1/2 - DEI & Side Middle - DEI
4x	4x	4x	4x	4x	-	
7399						Front Gable 1/2 - DEI & Side Middle - DEI
8x	8x	8x	8x	8x	-	

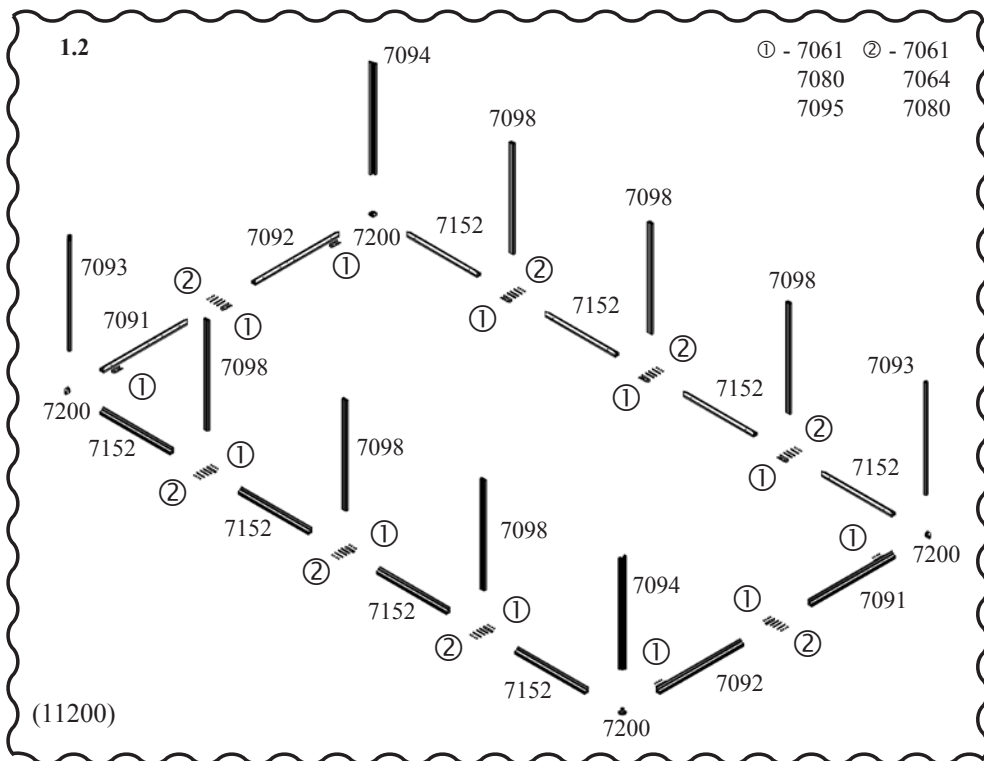
5800	8500	11200	13900	16600	+ Ext.	CI
7091						Front Gable 1/2 - DEI
1x	1x	1x	1x	1x	-	
7092						
1x	1x	1x	1x	1x	-	Front Gable 1/2 - DEI
7093						
1x	1x	1x	1x	1x	-	
7094						Front Gable 1/2 - DEI
1x	1x	1x	1x	1x	-	
7091						
1x	1x	1x	1x	1x	-	Back Gable - DEI
7092						
1x	1x	1x	1x	1x	-	
7093						Back Gable - DEI
1x	1x	1x	1x	1x	-	
7094						
1x	1x	1x	1x	1x	-	Side Ends 1/2 - DEI
7152						
4x	4x	4x	4x	4x	-	Side Ends 2/2 - DEI
7098						
2x	2x	2x	2x	2x	-	Side Middle - DEI
7098						
-	2x	4x	6x	8x	+2x	
7152						Side Middle - DEI
-	2x	4x	6x	8x	+2x	

SILL BARS / MIDDLE BARS / CORNER POSTS; GRUNDRAHMEN, ZWISCHENPROFIL U. ECKPFOSTEN; CADRE DE BASE, PROFILÉ INTERMÉDIAIRE ET PILIERS D'ANGLE; KÅLFJES / MIDDENPROFIELEN / HOEKPROFIELEN; BUNDRAMME, MIDTERPROFIL OG HJØRNESTOLPER; BOTTENRAM, MITTENSTOLPAR OCH HÖRNSTOLPAR; TELAIO DI BASE, PROFILO INTERMEDIO E MONTANTI ANGOLARI; ZÁKLADOVÝ RÁM, MEZIPROFILY A ROHOVÉ SLOUPKY; OSNOVNI OKVIR, VĚSNÍ PROFIL IN VOĀALNI STEBRI.



1.2.1	7098 / 7152
5800	2x 7098 / 4x 7152
8500	4x 7098 / 6x 7152
11200	6x 7098 / 8x 7152
13900	8x 7098 / 10x 7152
16600	10x 7098 / 12x 7152
+ Ext.	+ 2x 7098 / + 2x 7152

1.2.2	①	②
5800	8x	4x
8500	10x	6x
11200	12x	8x
13900	14x	10x
16600	16x	12x
+ Ext.	+ 2x	+ 2x



① Alternative options

1_{A}

(11200)

PH2

{A}					
5800	8500	11200	13900	16600	+ Ext.
7061					
2x 2	4x 2	6x 2	8x 2	10x 2	+2x 2
7064					
1x 2	2x 2	3x 2	4x 2	5x 2	+1x 2
7080					
8x 2	16x 2	24x 2	32x 2	40x 2	+8x 2
7095					
1x 2	2x 2	3x 2	4x 2	5x 2	+1x 2
7152					
2x 2	3x 2	4x 2	5x 2	6x 2	+1x 2

1.3

5800

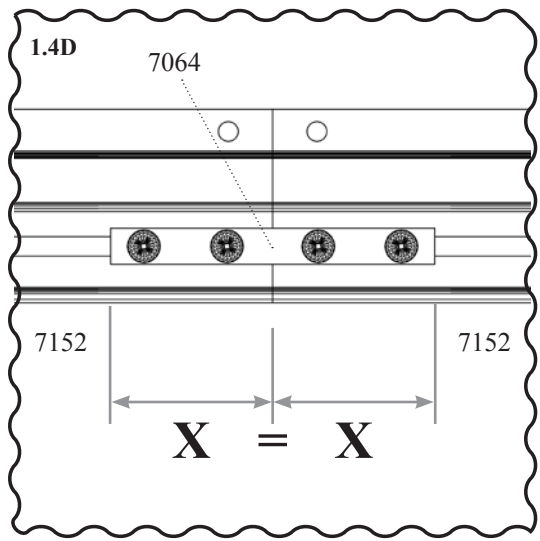
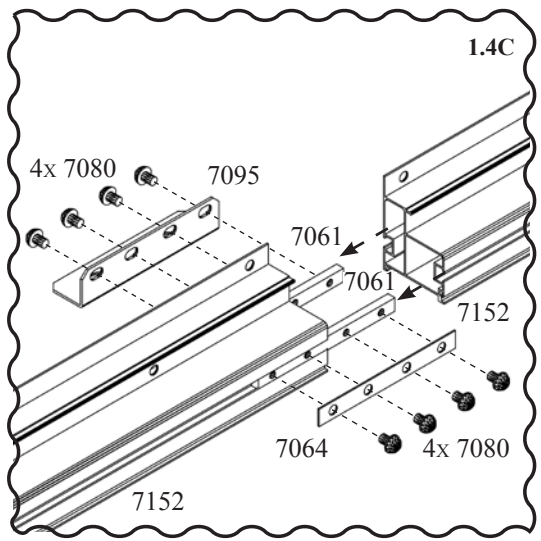
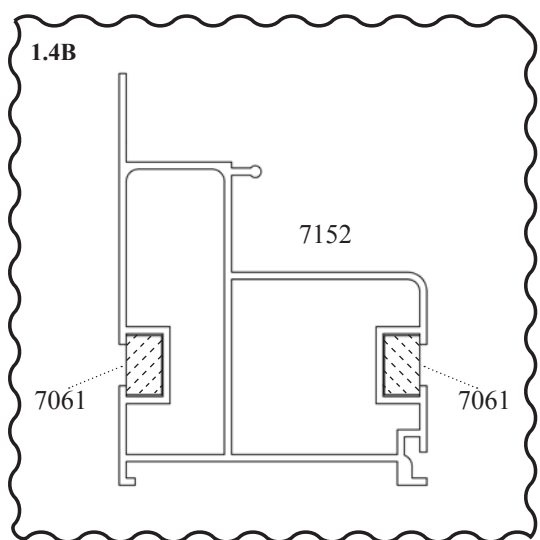
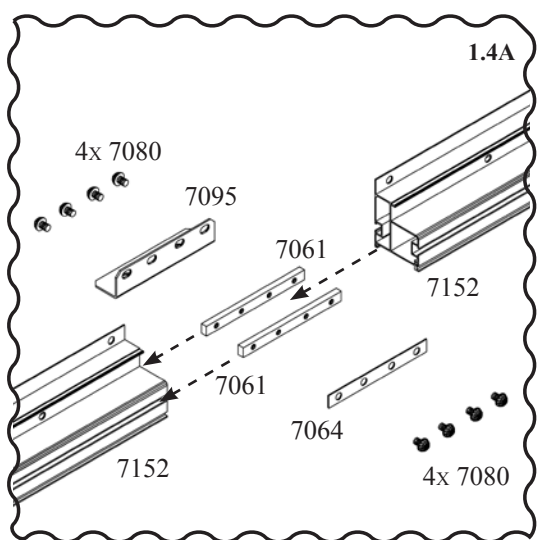
{A} 2x

① - 7061 ② - 7061
7080 7064
7095 7080

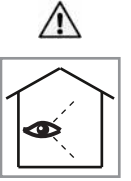
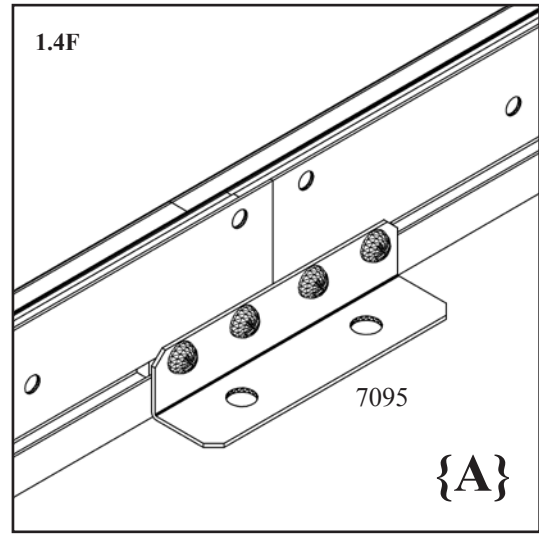
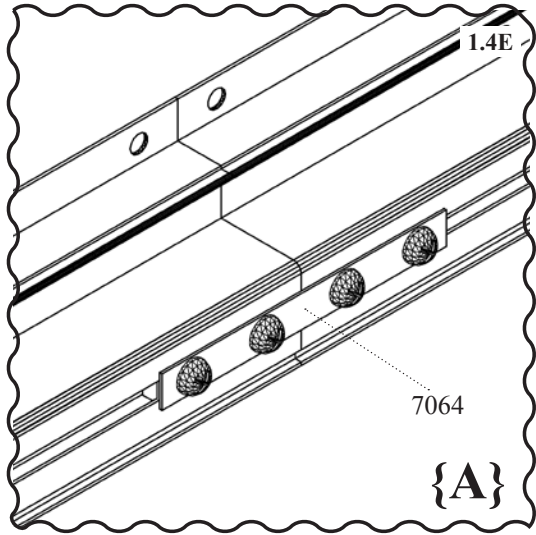
8500

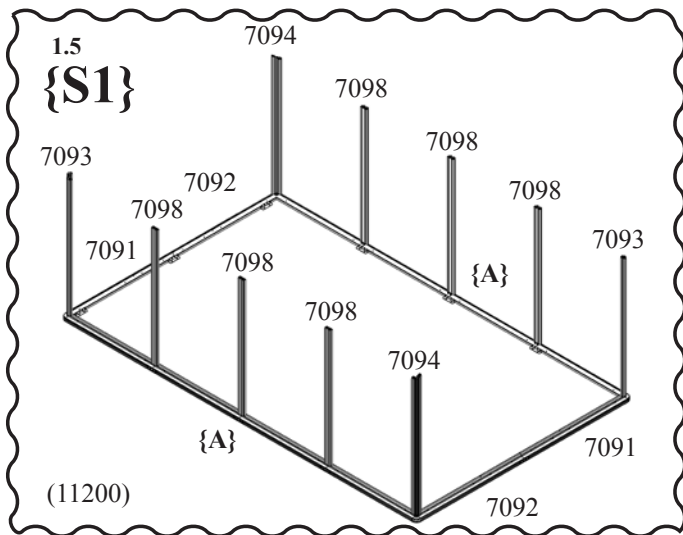
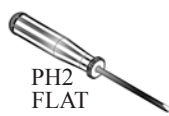
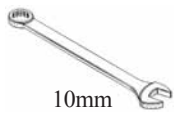
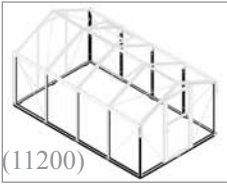
11200

7152

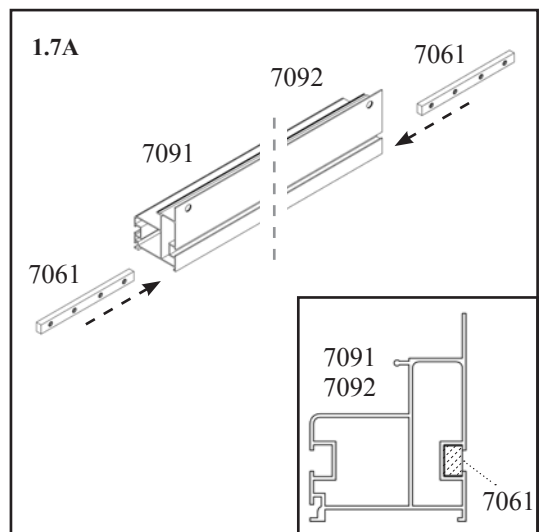
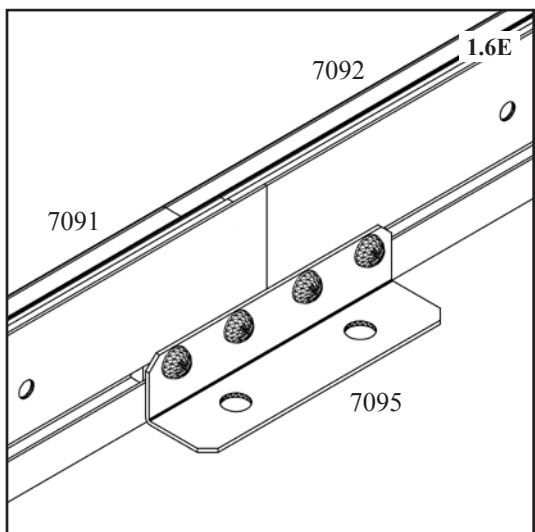
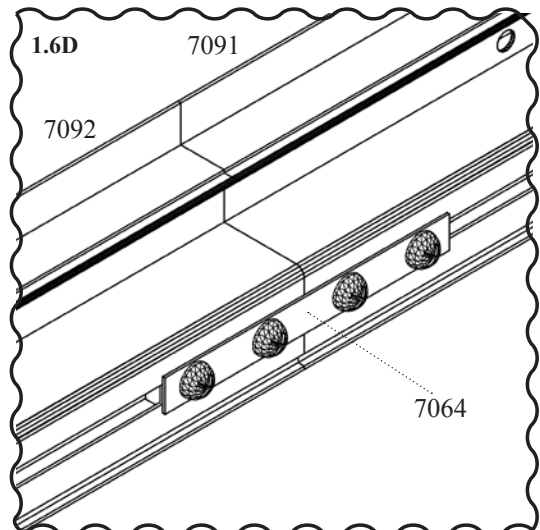
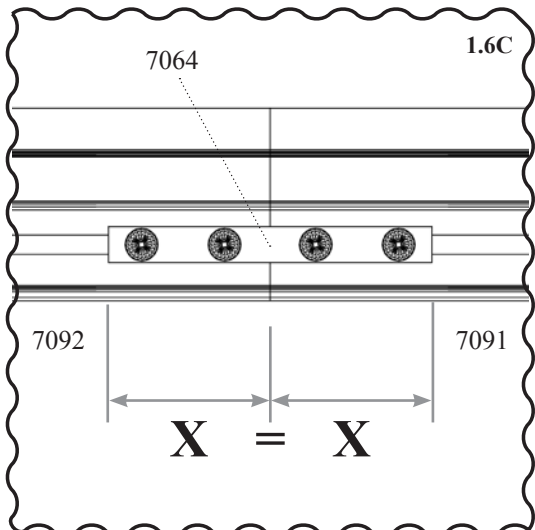
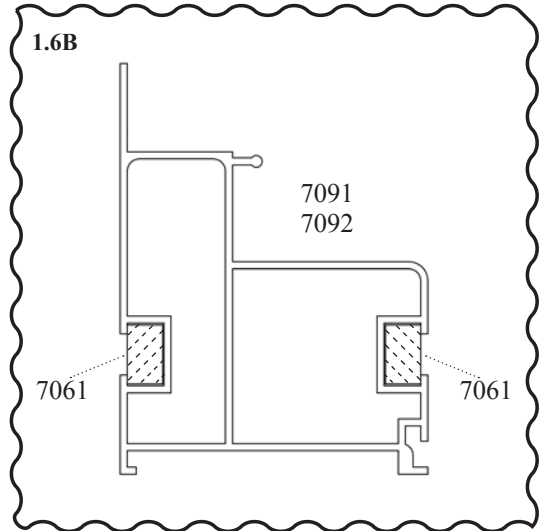
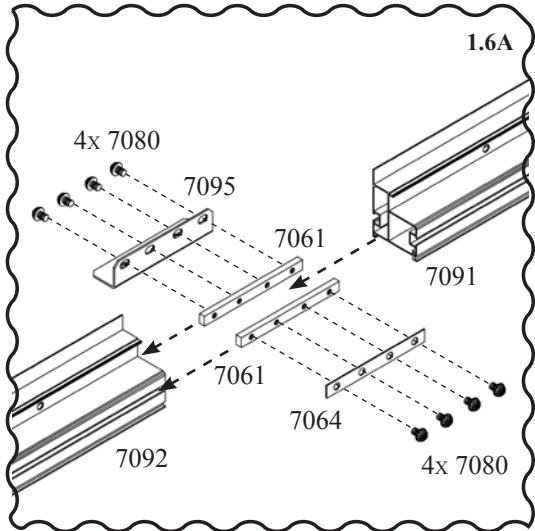


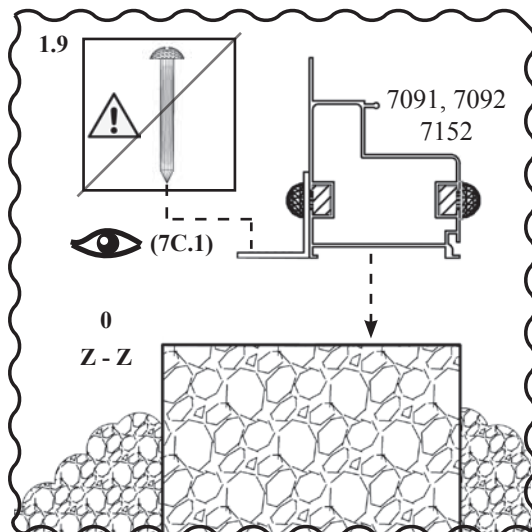
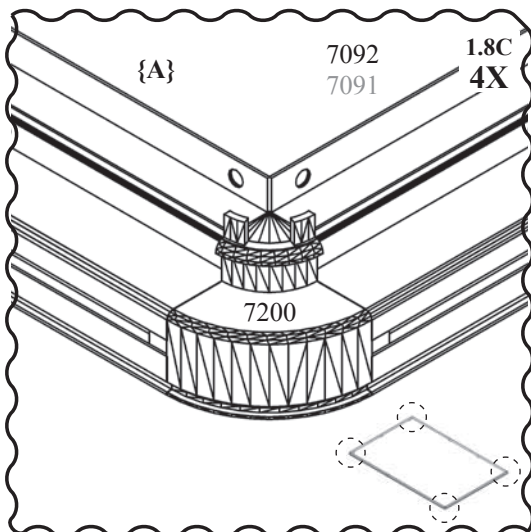
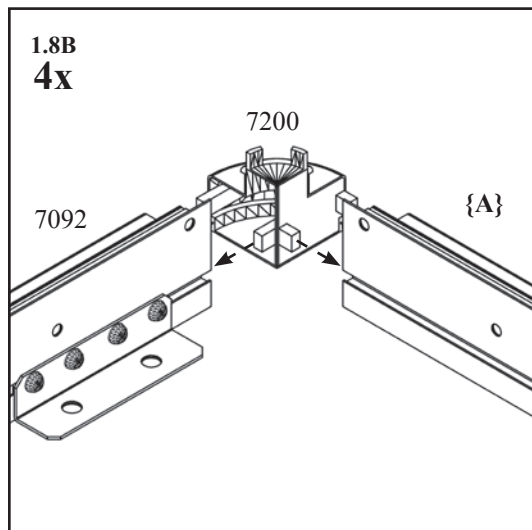
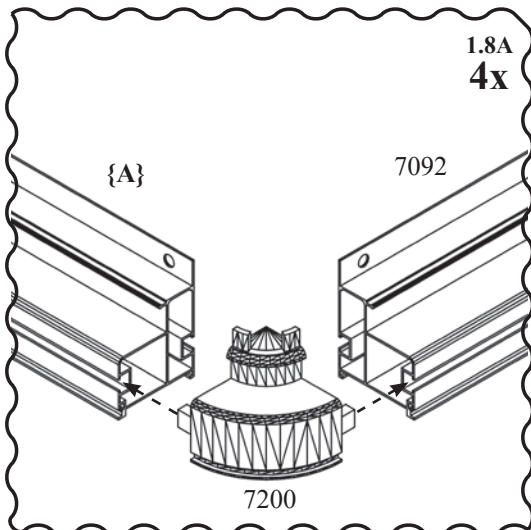
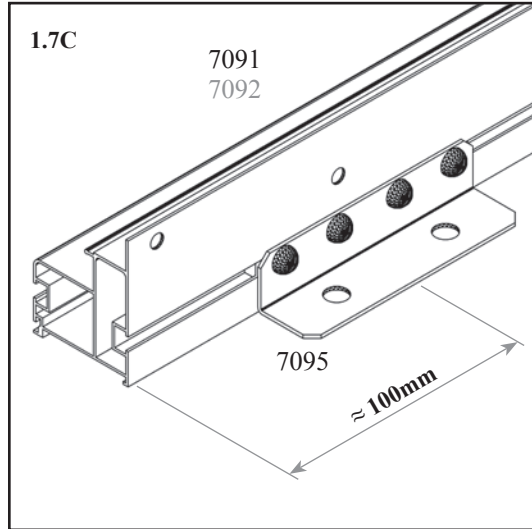
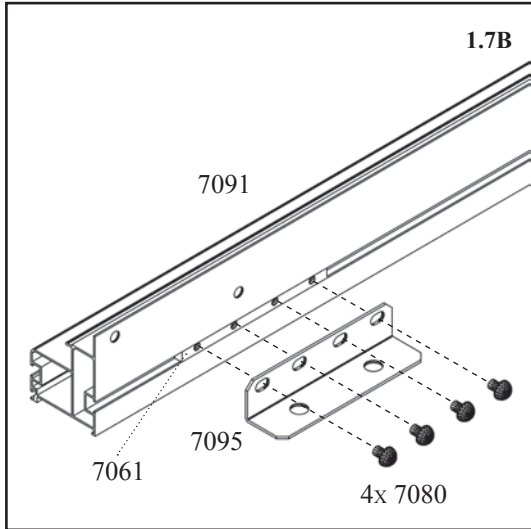
1_{A}







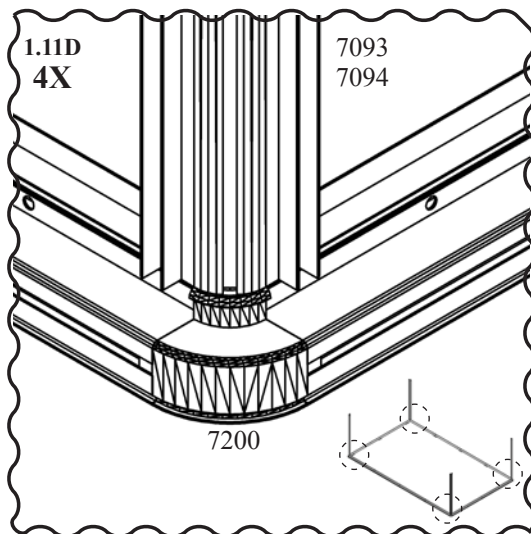
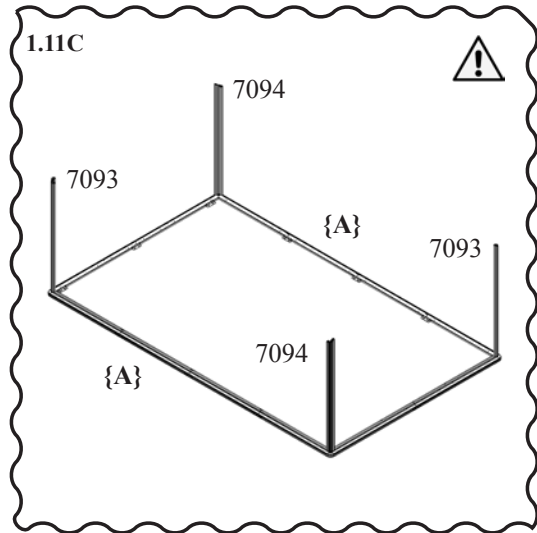
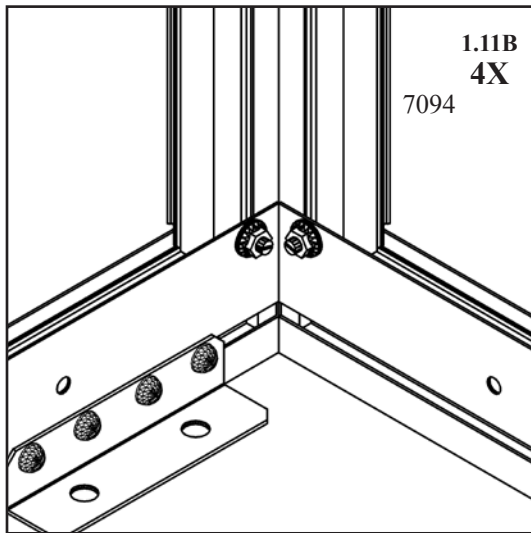
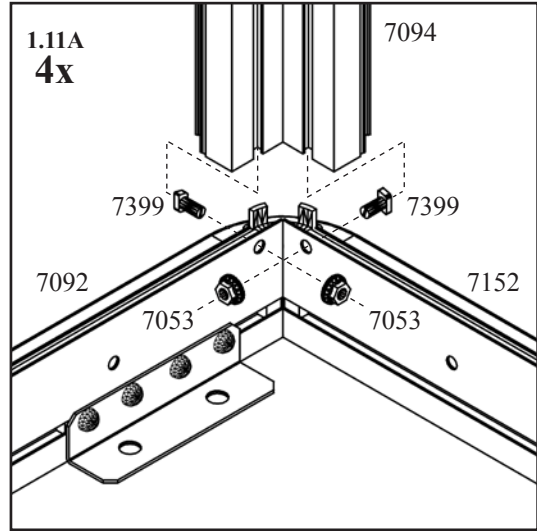
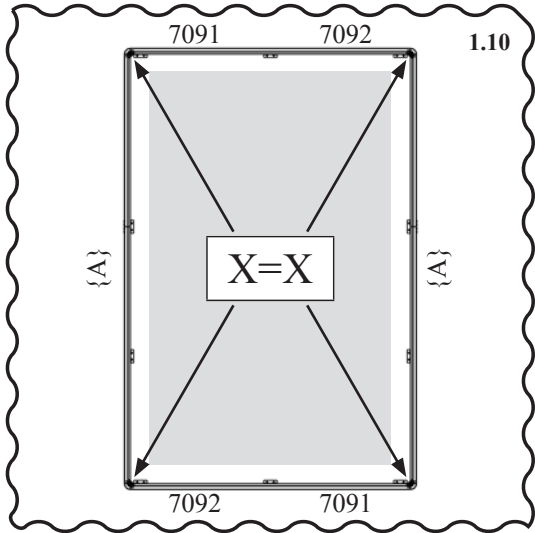


	5800	8500	11200	13900	16600	+ Ext.
7052	12x	24x	36x	48x	60x	+12x
7053	20x	32x	44x	56x	68x	+12x
7061	8x	8x	8x	8x	8x	-
7064	2x	2x	2x	2x	2x	-
7080	32x	32x	32x	32x	32x	-
7091	2x	2x	2x	2x	2x	-
7092	2x	2x	2x	2x	2x	-
7093	2x	2x	2x	2x	2x	-
7094	2x	2x	2x	2x	2x	-
7095	6x	6x	6x	6x	6x	-
7098	2x	4x	6x	8x	10x	+2x
7200	4x	4x	4x	4x	4x	-
7399	8x	8x	8x	8x	8x	-
{A}	2x	2x	2x	2x	2x	-





 Step for later
  Important!
  Go to
  Important Tip




Important!

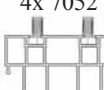


Important Tip

4x 7053



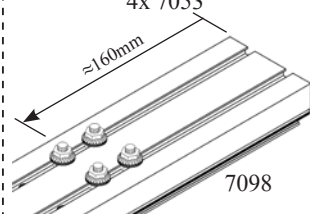
4x 7052



7098

4x 7052
4x 7053





1.12

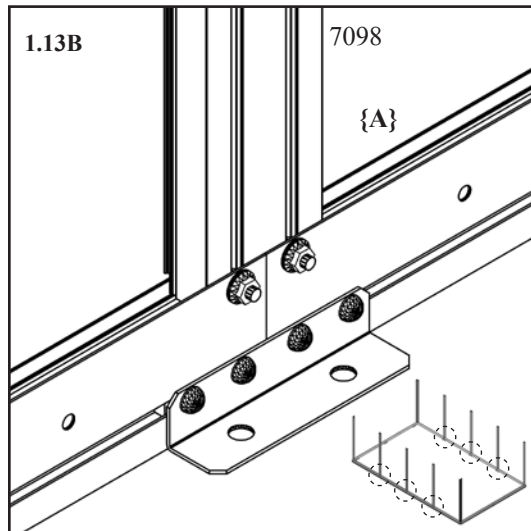
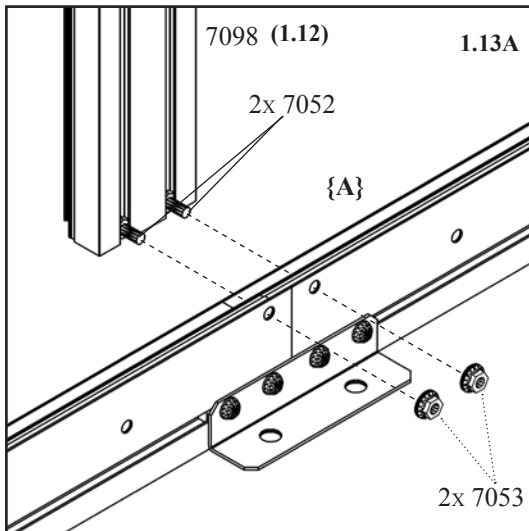


≈160mm

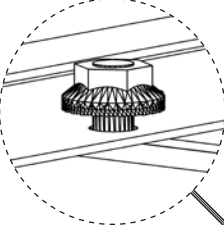
7098

⚠	7098 + 4x 7052 4x 7053	5800	8500	11200	13900	16600	+Ext.
		2x	4x	6x	8x	10x	+2x












1.14

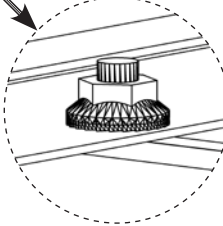


⚠ 7053




≤ 8Nm



1.13





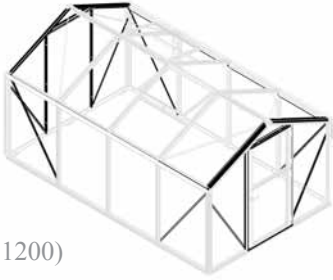
Important Tip



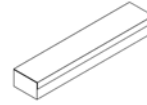
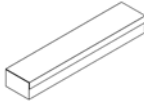
Important!



Adjust by Hand



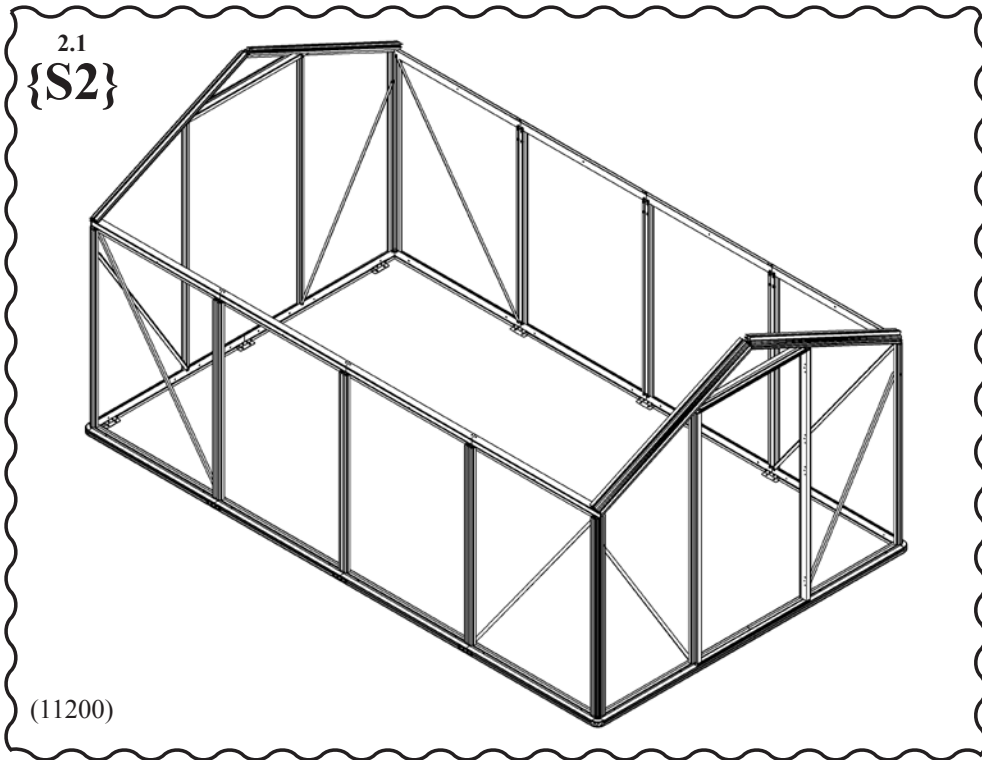
(11200)



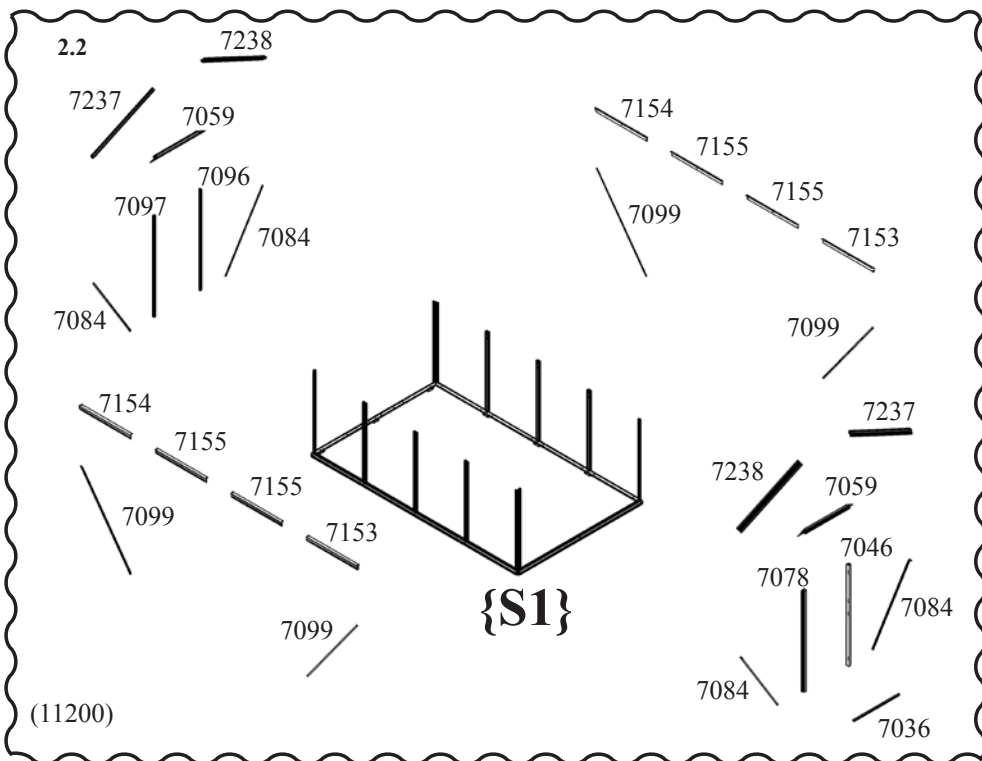
**GABLES / EAVE ANGLES; GIEBELENDEN U. TRAUFWENKEL; PIGNONS ET ANGLE DE GOUTTIÈRE; GEVELS /
HOEKEN ZIJKANT; GAVLE OG TAGREM; GAVLAR OCH TAKFOT; GABLES E ANGOLARE DELLA GRONDA; ŠTÍTY /
OKAPOVÝ ÚHEL; ŠTÍTY IN KAPNI KOTNIKI.**

5800	8500	11200	13900	16600	+ Ext.	Q
7052						Front Gable 1/2 - DEI Stall Door - DEI Back Gable - DEI Side Ends 1/2 - DEI Side Middle- DEI
40x	44x	48x	52x	56x	+4x	
7053						
48x	52x	56x	60x	64x	+4x	
7289						Front Gable 1/2 - DEI
4x						
7059						
1x						
7084						
2x						
7237						Front Gable 1/2 - DEI
1x						
7238						Front Gable 2/2 - DEI
1x						
7046						Front Gable 2/2 - DEI
1x						
7078						Stall Door - DEI
1x						
7036						Stall Door - DEI
1x						
7390						
4x						

5800	8500	11200	13900	16600	+ Ext.	Q
7059						Back Gable - DEI
1x						
7084						
2x						
7096						
1x						
7097						
1x						
7237						
1x						
7238						Side Ends 1/2 - DEI
1x						
7153						Side Ends 1/2 - DEI
2x						
7154						Side Ends 2/2 - DEI
2x						
7099						Side Middle- DEI
4x						
7155						Side Middle- DEI
-	2x	4x	6x	8x	+2x	



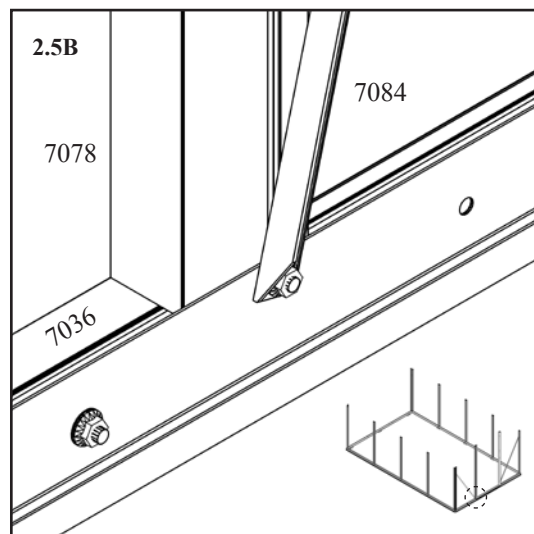
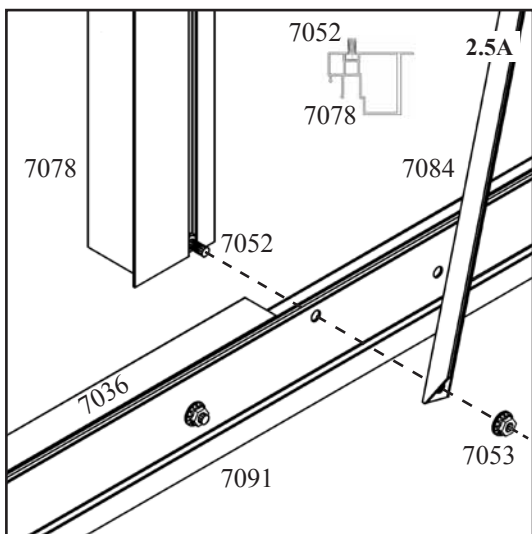
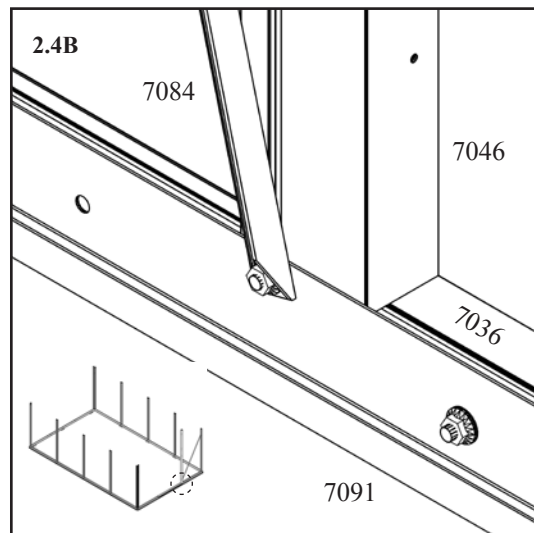
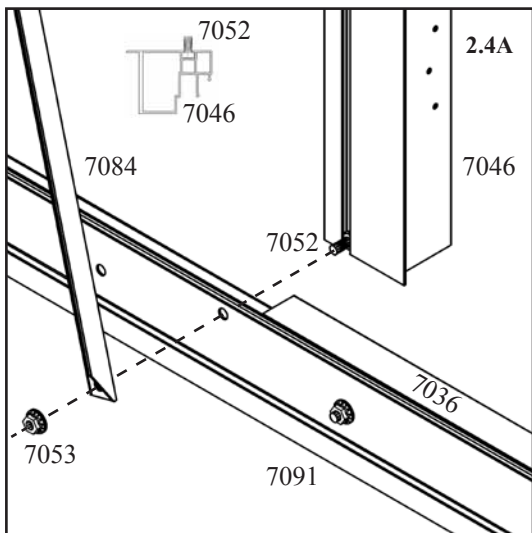
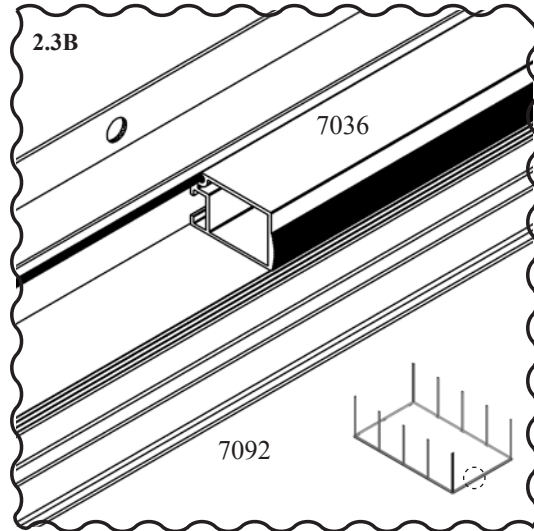
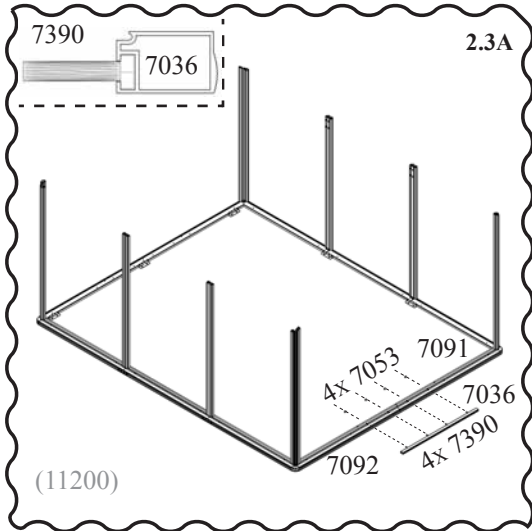
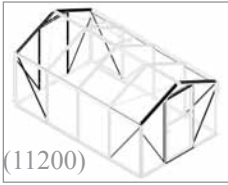
2.2.1	7155
5800	-
8500	2x 7155
11200	4x 7155
13900	6x 7155
16600	8x 7155
+ Ext.	+ 2x 7155



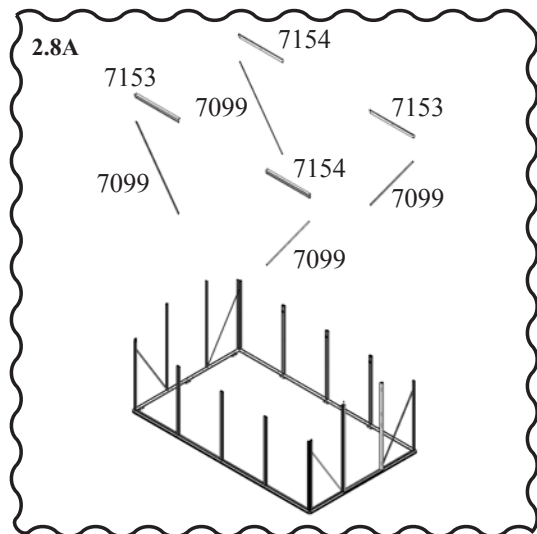
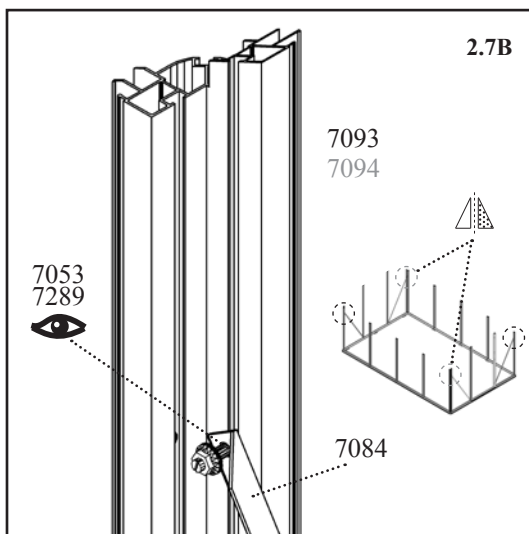
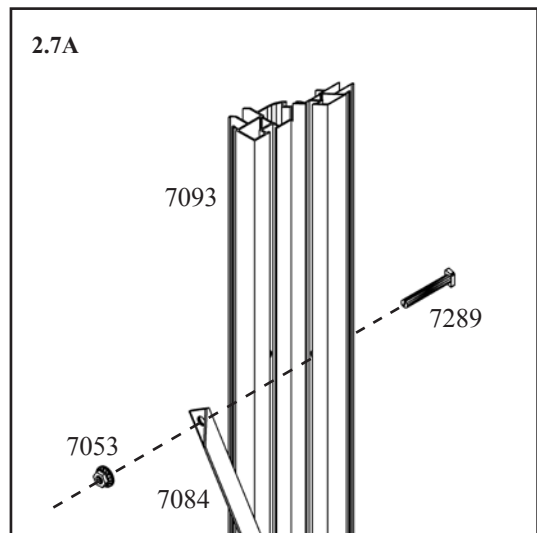
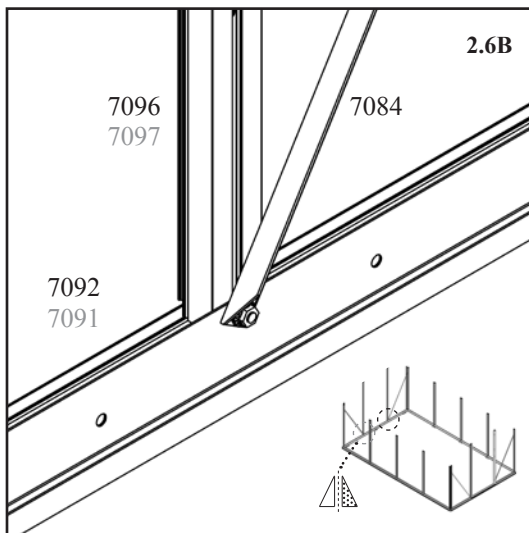
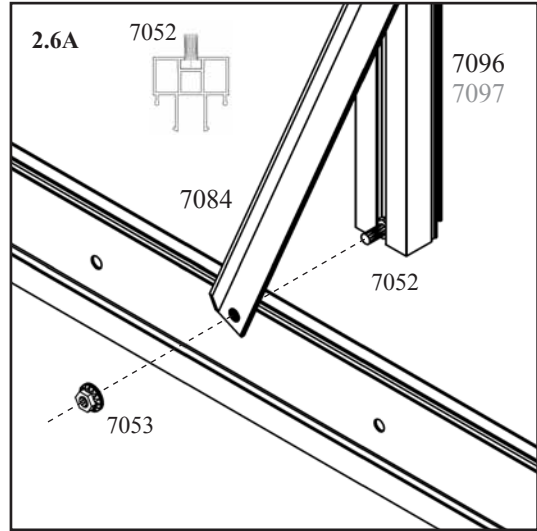
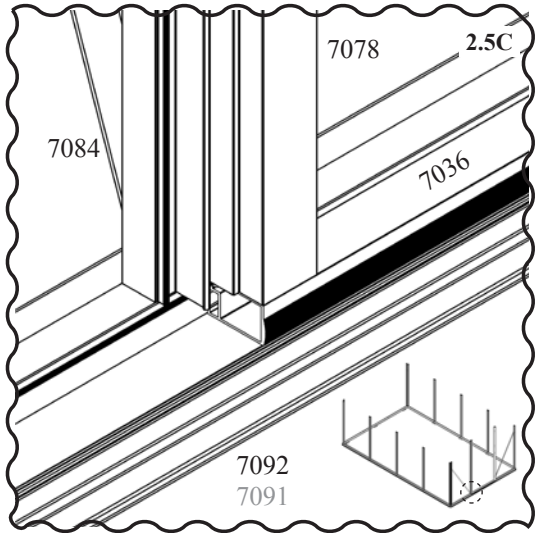
Alternative options



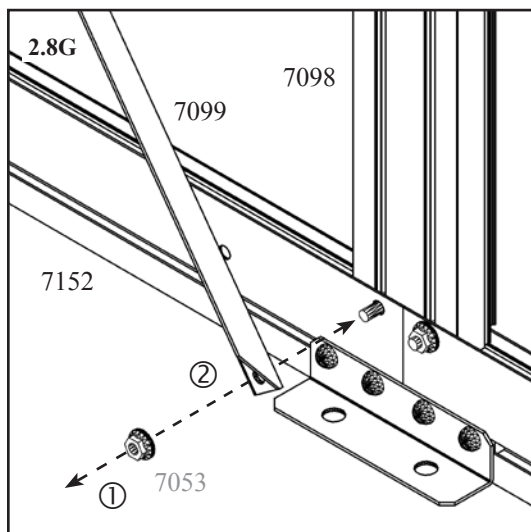
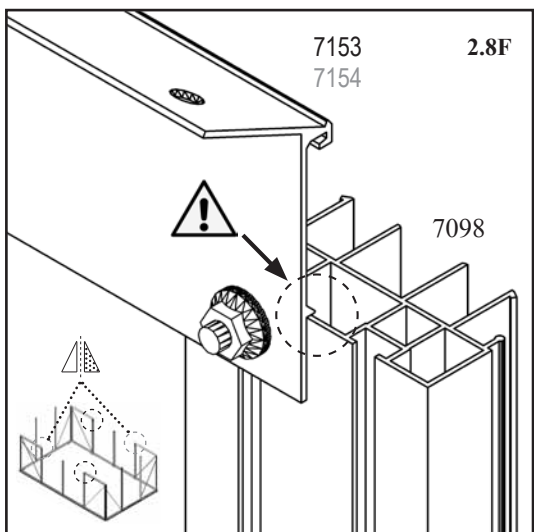
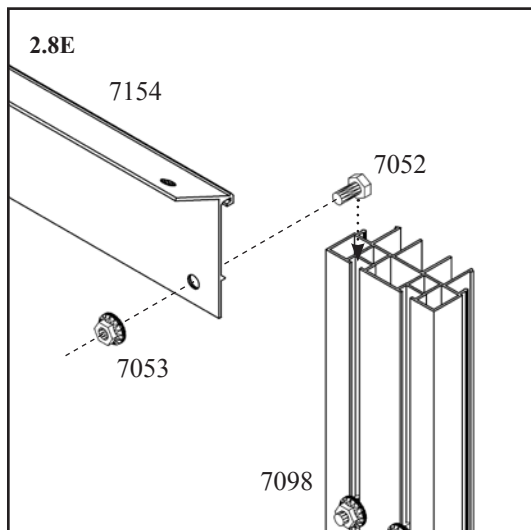
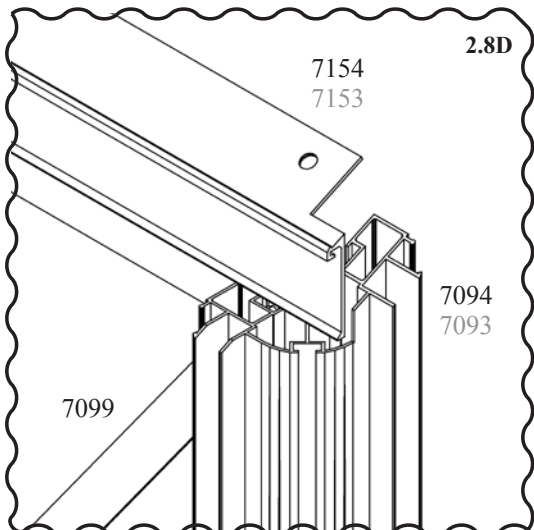
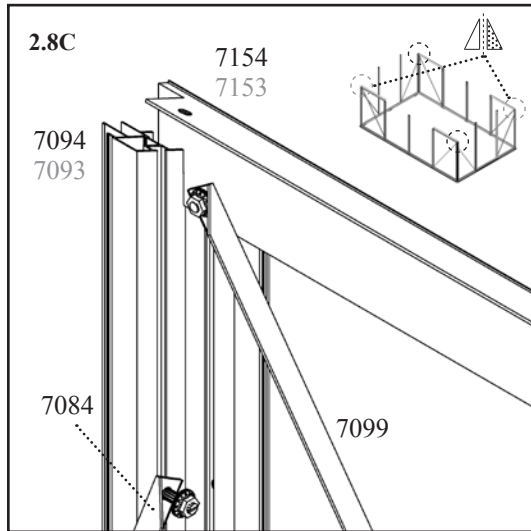
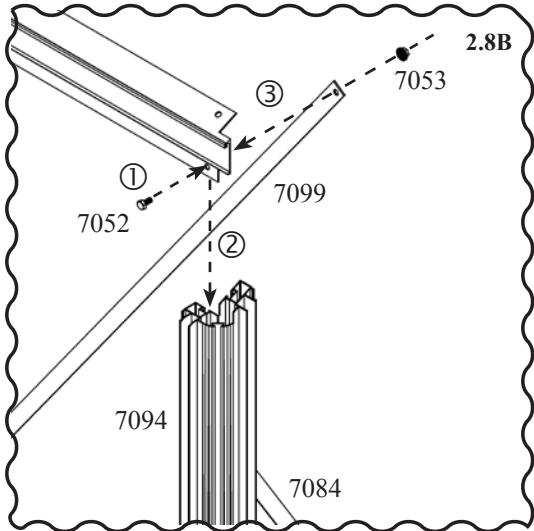
Important!

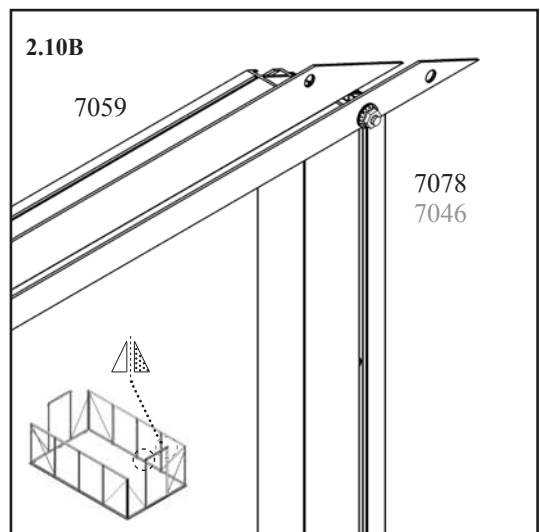
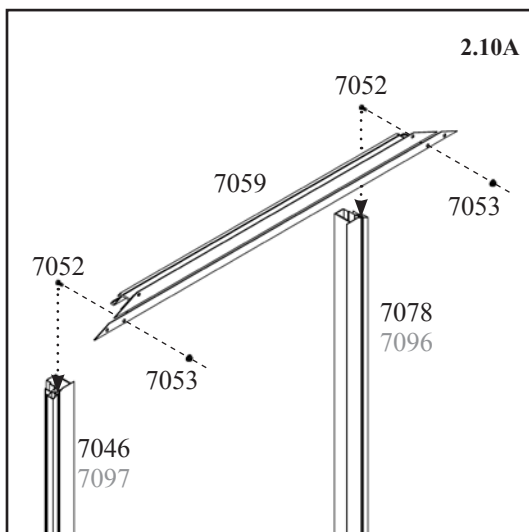
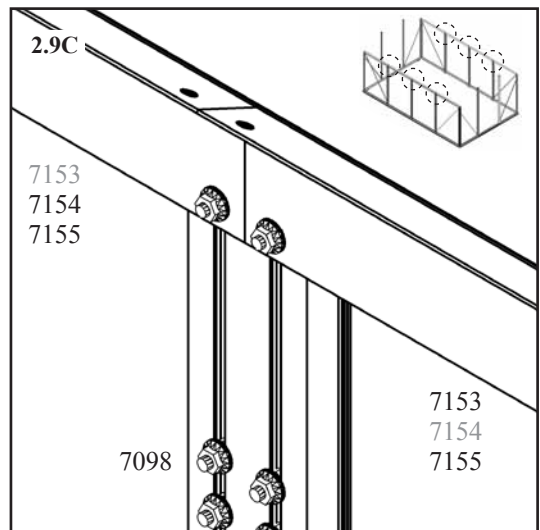
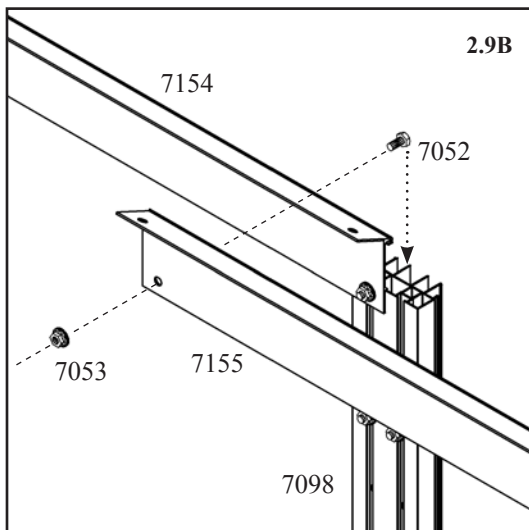
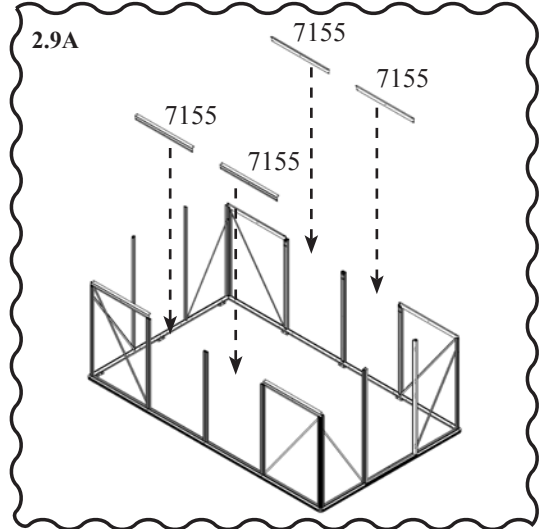
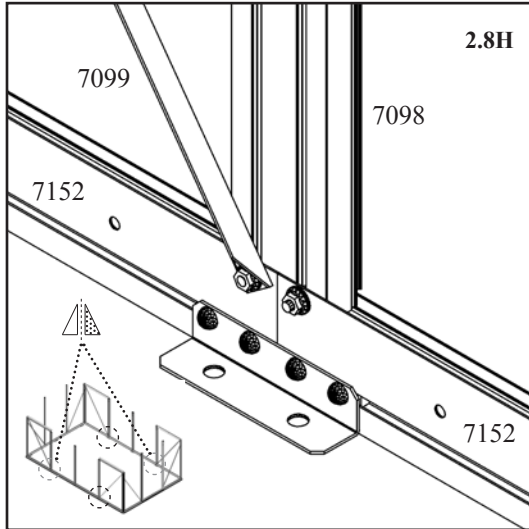


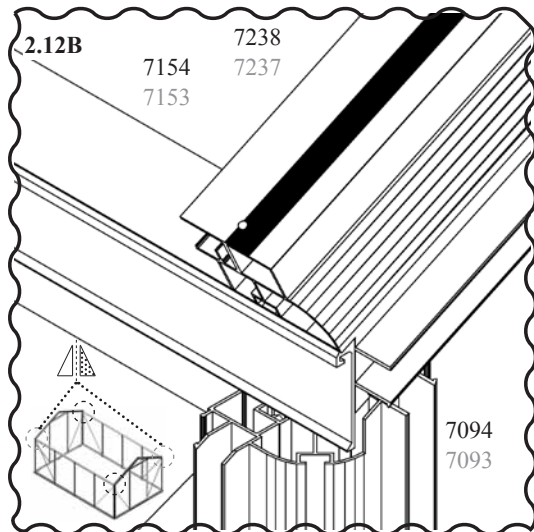
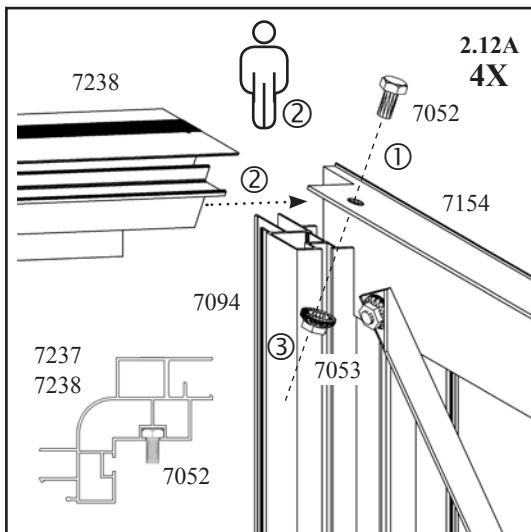
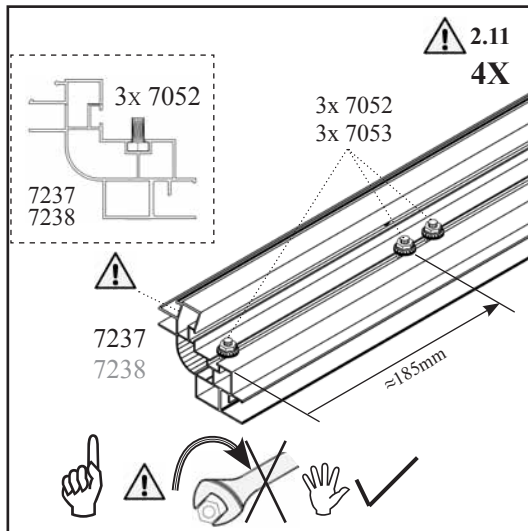
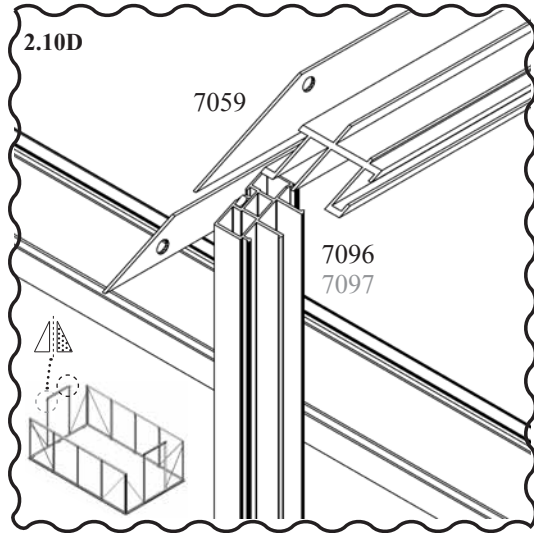
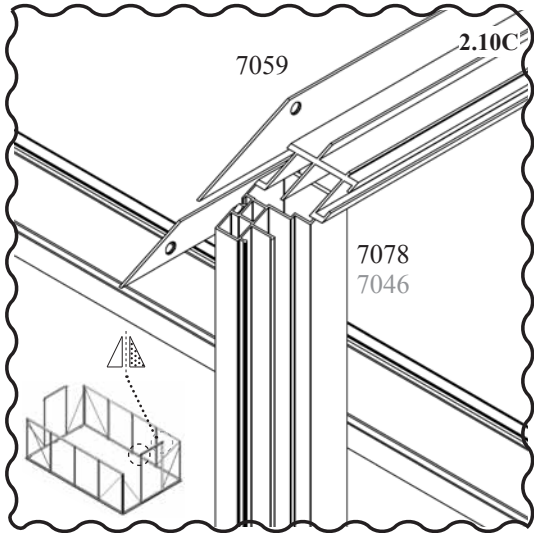
 Persons required.





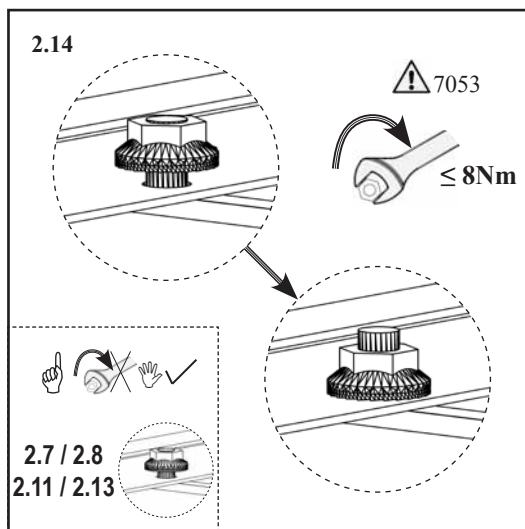
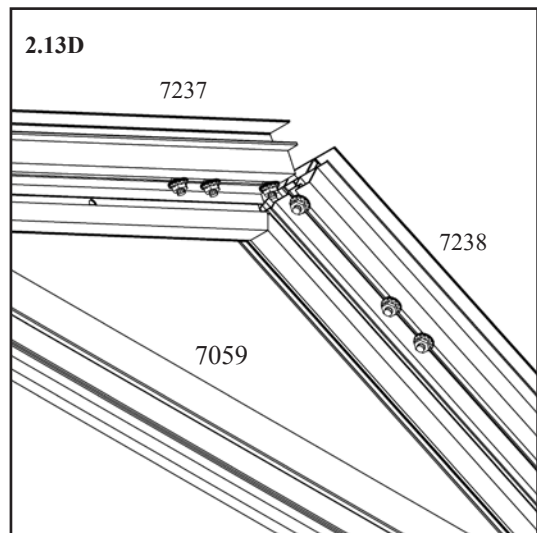
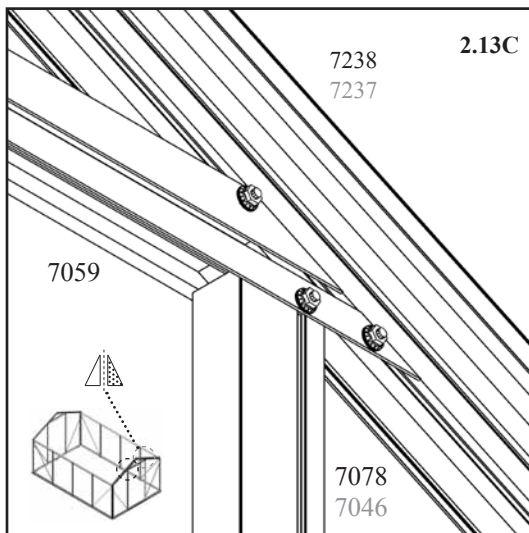
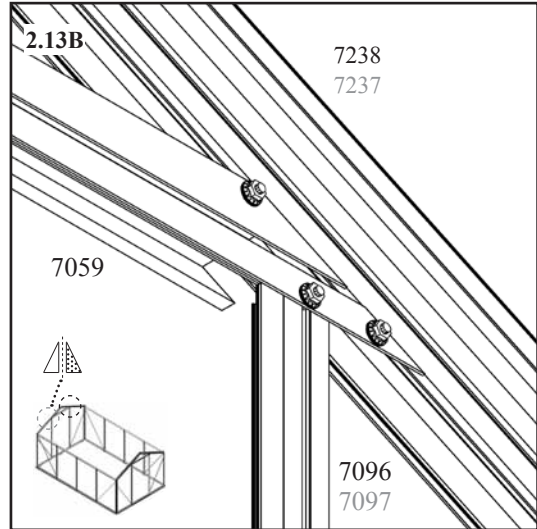
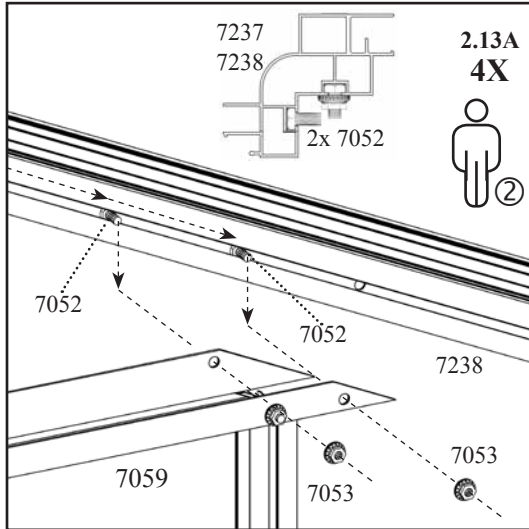
 Mirror of  Look closely







 Mirror of
  Important Tip
  Important!
  Adjust by Hand
  Persons required.



Persons required.



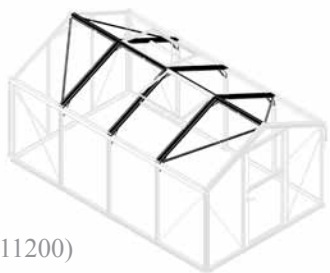
Important!



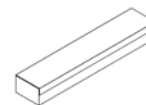
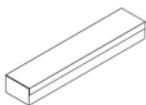
Important Tip



Adjust by Hand



(11200)

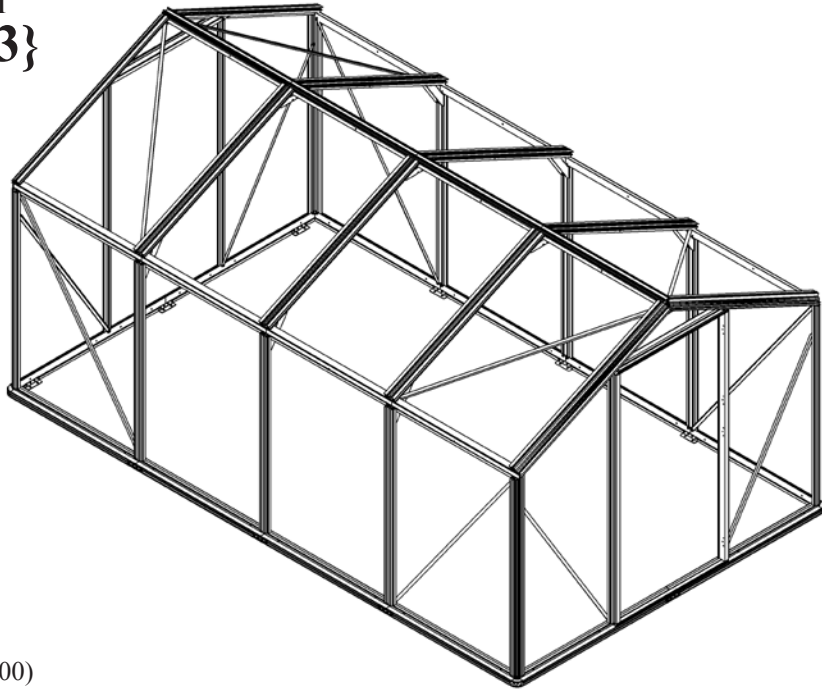


ROOF, DACH, TOIT, DAK, TAG, TETTO, STŘECHA, STREHA.

5800	8500	11200	13900	16600	+ Ext.	C3
7052						Front Gable 1/2 - DEI Back Gable - DEI Side Ends 1/2 - DEI Side Middle- DEI
24x	48x	72x	96x	120x	+24x	
7053						Front Gable 1/2 - DEI Back Gable - DEI Side Ends 1/2 - DEI Side Middle- DEI
24x	48x	72x	96x	120x	+24x	
7062 1x						Front Gable 1/2 - DEI
7062 1x						Back Gable - DEI
7061 1x						Side Ends 1/2 - DEI
7062 2x						
7063 4x						
7064 1x						
7065 2x						
7080 4x						
7081 4x						
7158 2x						
7261 4x						
7159 4x						
7256 2x						Side Ends 2/2 - DEI

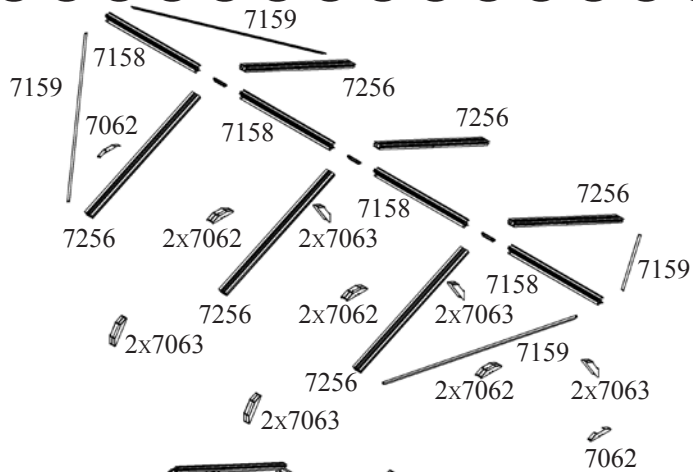
5800	8500	11200	13900	16600	+ Ext.	C3
7061						Side Middle- DEI
-	1x	2x	3x	4x	+1x	
7062						
-	2x	4x	6x	8x	+2x	
7063						
-	4x	8x	12x	16x	+4x	
7064						
-	1x	2x	3x	4x	+1x	
7065						
-	2x	4x	6x	8x	+2x	
7080						
-	4x	8x	12x	16x	+4x	
7081						
-	4x	8x	12x	16x	+4x	
7158						
-	1x	2x	3x	4x	+1x	
7256						
-	2x	4x	6x	8x	+2x	
7261						
-	2x	4x	6x	8x	+2x	

3.1
{S3}

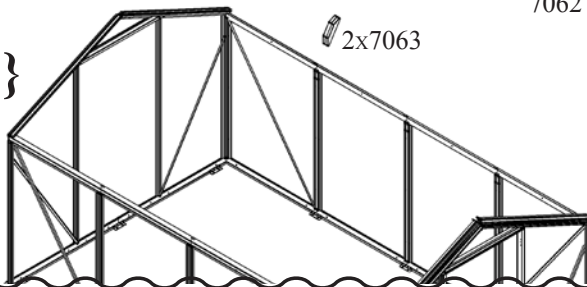


(11200)

3.2

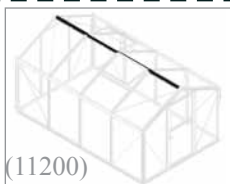


{S2}

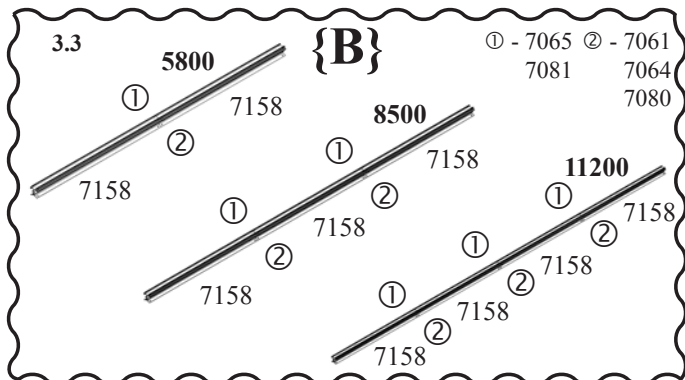


(11200)

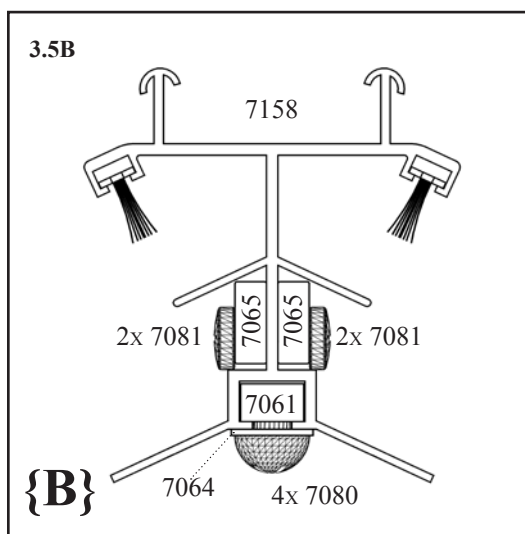
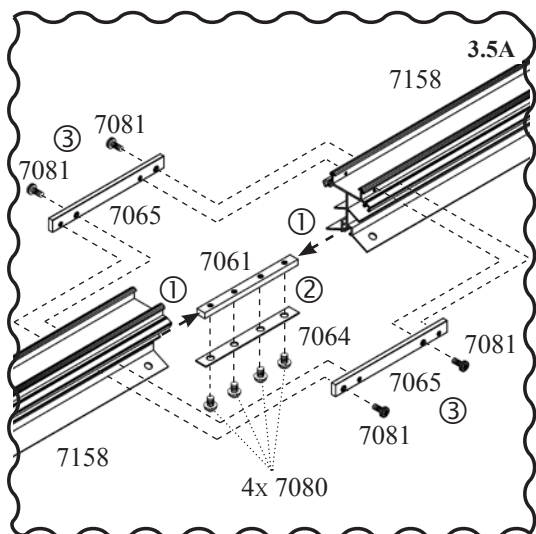
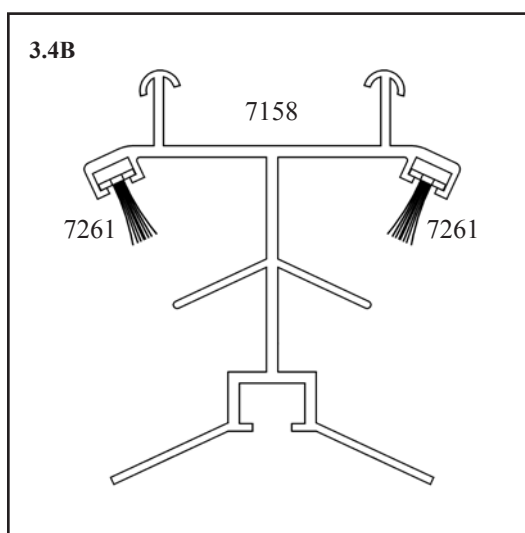
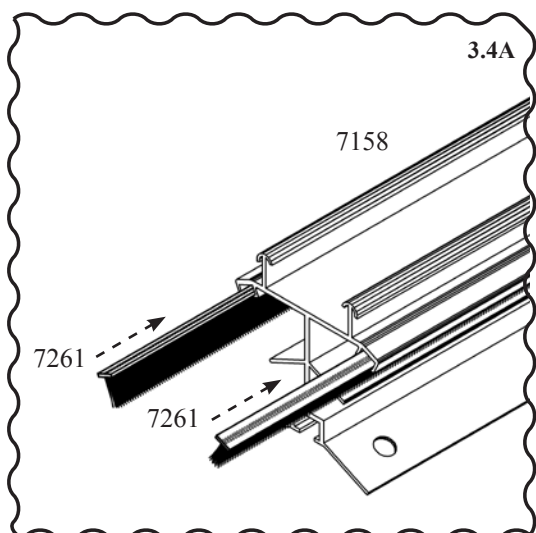
3_{B}



PH2



{B}						
	5800	8500	11200	13900	16600	Ext. +
7061	1x	2x	3x	4x	5x	+1x
7064	1x	2x	3x	4x	5x	+1x
7065	2x	4x	6x	8x	10x	+2x
7080	4x	8x	12x	16x	20x	+4x
7081	4x	8x	12x	16x	20x	+4x
7158	2x	3x	4x	5x	6x	+1x
7261	2x	4x	6x	8x	10x	+2x



(11200)

10mm 10mm

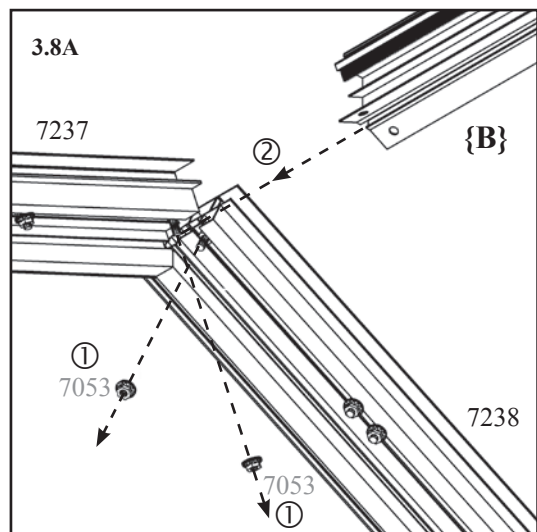
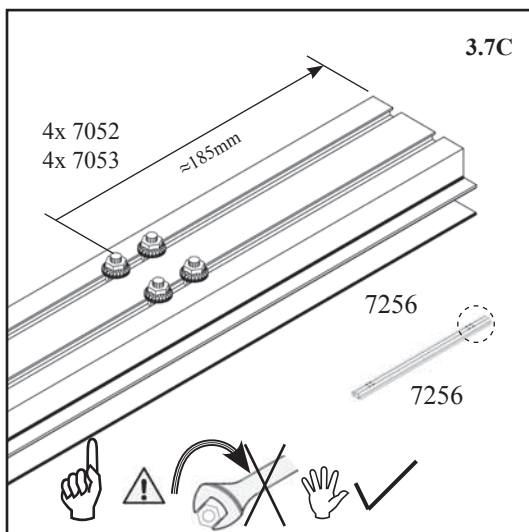
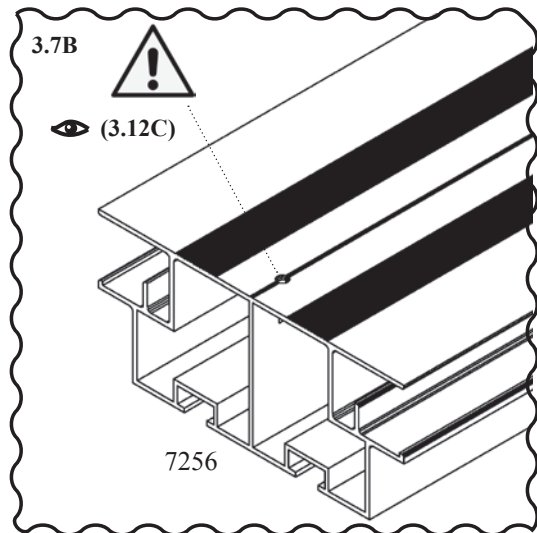
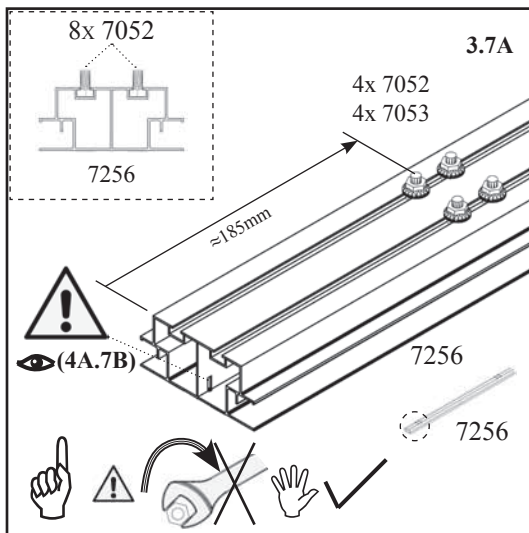
②

②

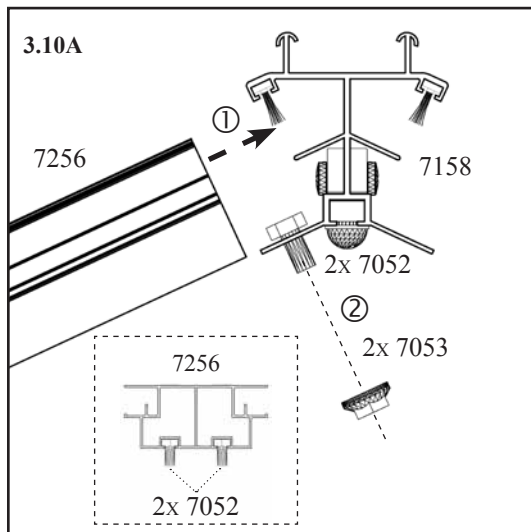
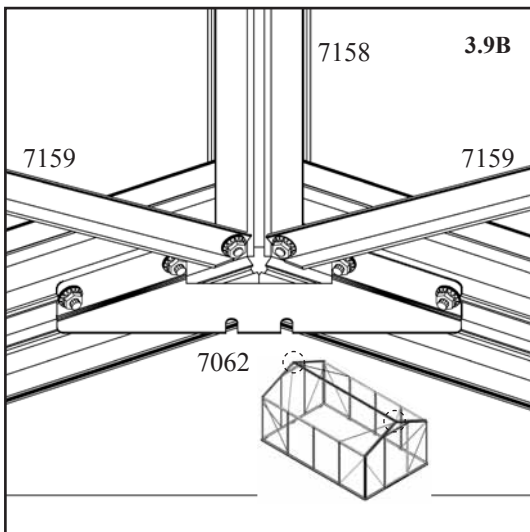
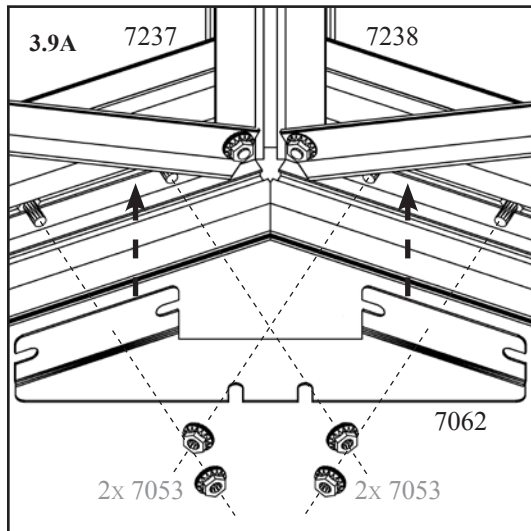
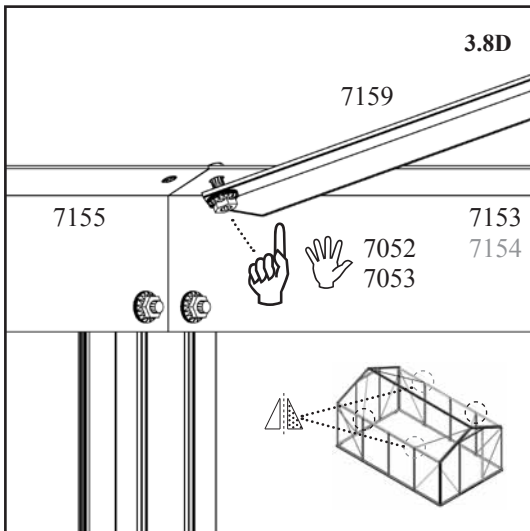
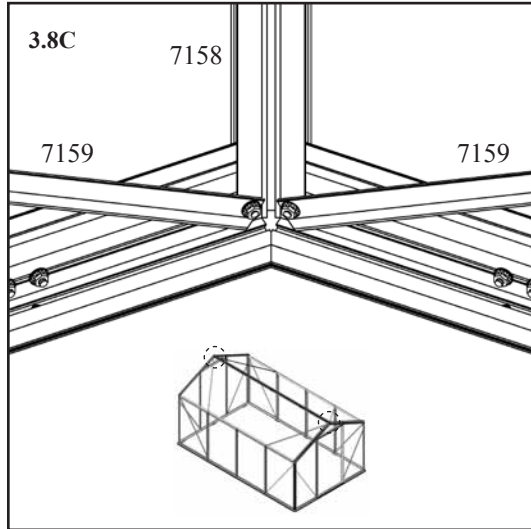
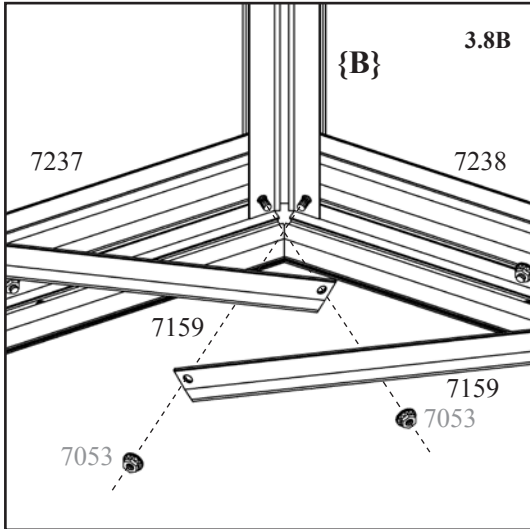
3.6

{S3a}

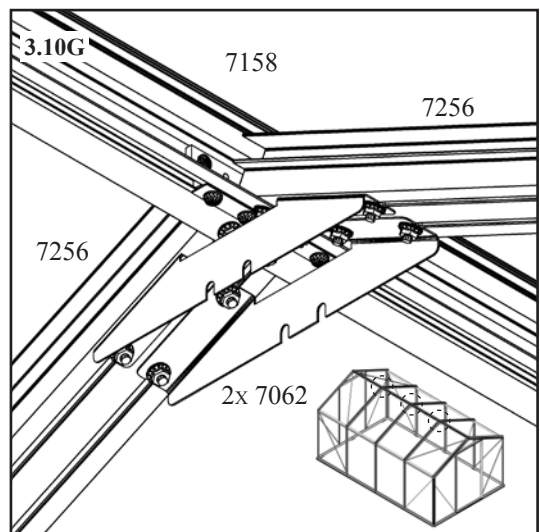
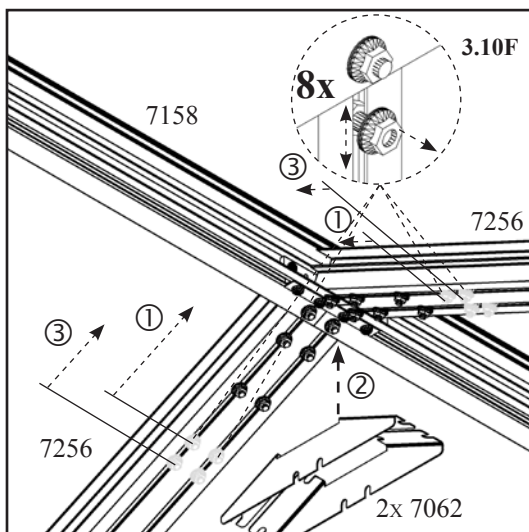
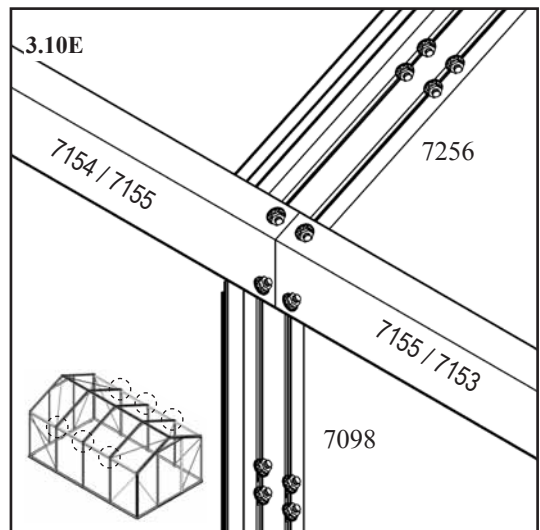
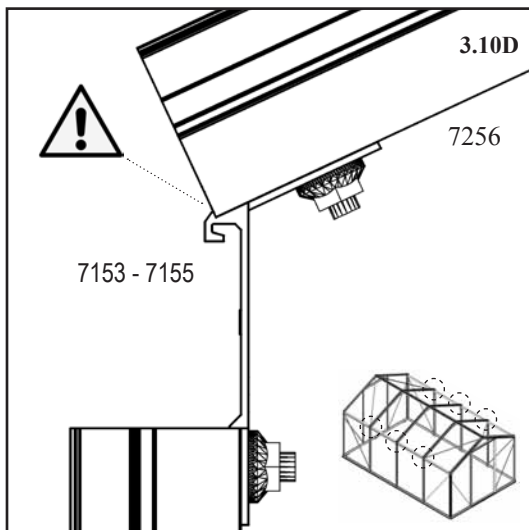
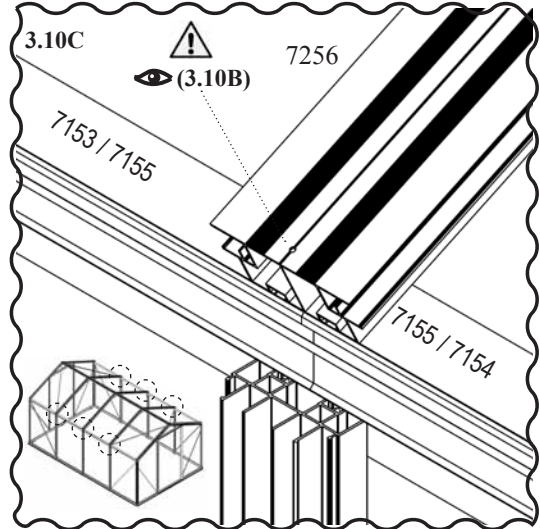
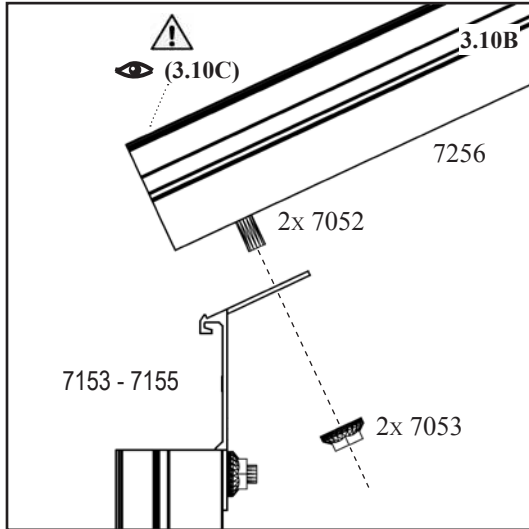
	5800	8500	11200	13900	16600	+ Ext.
7052	24x	48x	72x	96x	120x	+24x
7053	24x	48x	72x	96x	120x	+24x
7062	4x	6x	8x	10x	12x	+2x
7063	4x	8x	12x	16x	20x	+4x
7159	4x	4x	4x	4x	4x	-
7256	2x	4x	6x	8x	10x	+2x
{B}	1x	1x	1x	1x	1x	-



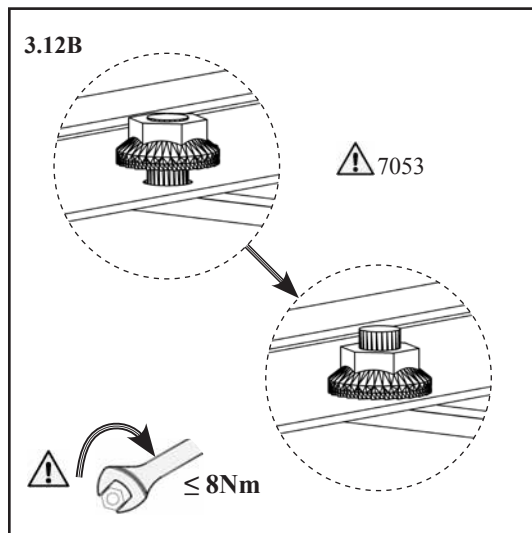
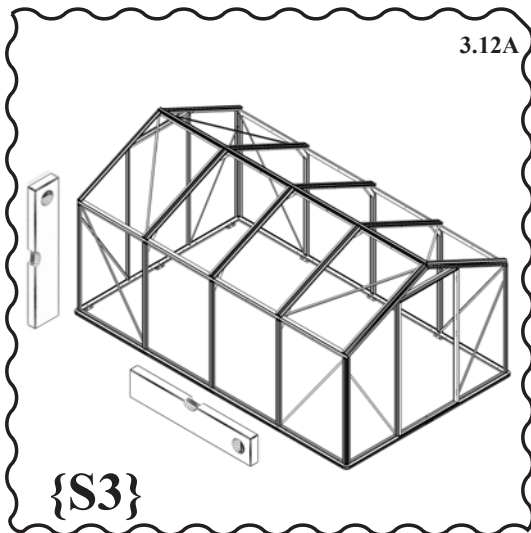
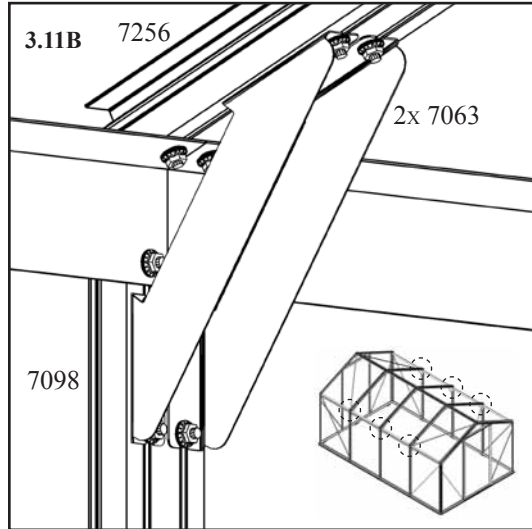
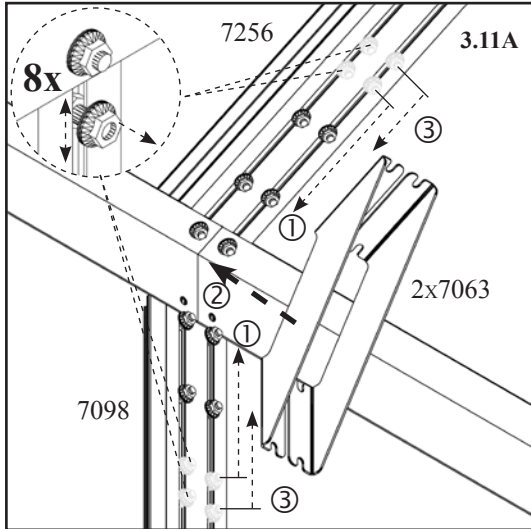
Persons required.
 Important!
 Go to
 Important Tip
 Adjust by Hand

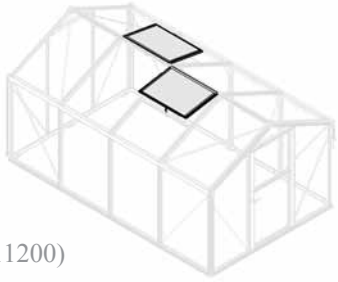


Important!
 Important Tip
 Adjust by Hand
 Mirror of

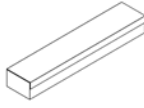


! Important! 👁 Go to





(11200)

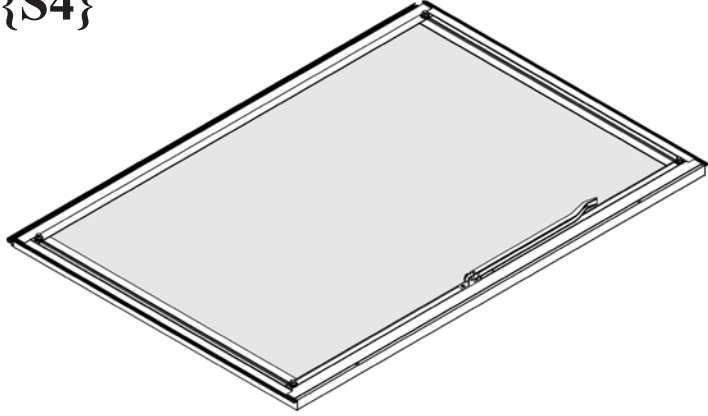


WINDOWS, FENSTER, FENÊTRE, VENSTER, VINDUER, FÖNSTER, FİNESTRA, OKNO, OKNO.

5800	8500	11200	13900	16600	C4
1006					
2x	2x	2x2	2x2	2x3	
7052					
4x	4x	4x2	4x2	4x3	
7053					
4x	4x	4x2	4x2	4x3	
7090					
1x	1x	1x2	1x2	1x3	
7168					
1x	1x	1x2	1x2	1x3	
7169					
1x	1x	1x2	1x2	1x3	
7247 (7291)					
1x	1x	1x2	1x2	1x3	
7248 (7291)					
1x	1x	1x2	1x2	1x3	

1x RoofVent - DEI

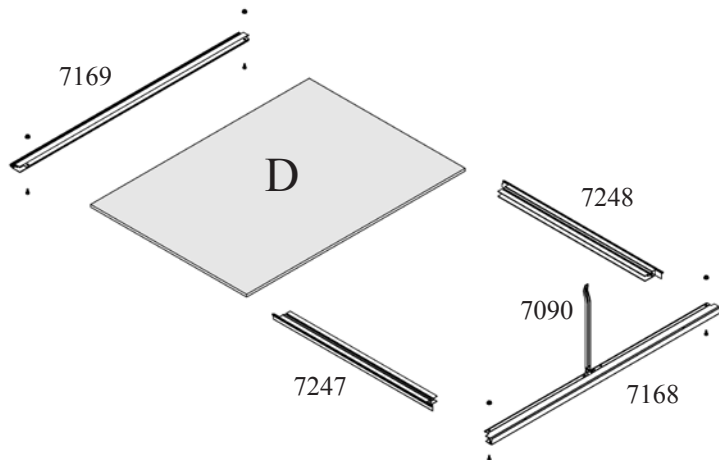
4.1
{S4}



{S4}				
5800	8500	11200	13900	16600
1x	1x	2x	2x	3x

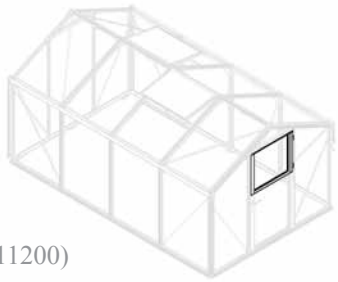
	MM (±3mm)	
D		925 x 660
		1x

4.2

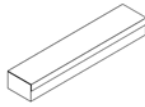


- (EN) Please refer to the glazing instructions which are included together with the glazing panes.
- (DE) Bitte beachten Sie die Verglasungsanleitung, die den Verglasungsscheiben beiliegt.
- (FR) Veuillez vous référer aux instructions relatives au vitrage qui sont fournies avec les vitres.
- (NL) Raadpleeg de beglazingsinstructies die samen met de ruiten worden geleverd.
- (DA) Se venligst glasvejledningen, som følger med ruderne.
- (SV) Se glasningsanvisningarna som medföljer glasrutorna.
- (NO) Se instruksjonene for innglassing som følger med glassene.
- (FI) Tutustu lasitusohjeisiin, jotka toimitetaan lasien mukana.
- (IT) Consultare le istruzioni per l'installazione dei vetri fornite insieme alle lastre di vetro.
- (CS) Řiďte se pokyny pro zasklívání, které jsou součástí dodávky zasklívacích skel.
- (PL) Należy zapoznać się z instrukcją szklenia, która jest dołączona do szyb.
- (SL) Upoštevajte navodila za zasteklitev, ki so priložena zasteklitvenim ploščam.
- (HU) Kérjük, olvassa el az üvegezési útmutatót, amelyet az üvegezéshez mellékeltek.
- (HR) Molimo pogledajte upute za ostakljenje koje su priložene zajedno sa staklenim pločama.
- (BS) Molimo pogledajte upute za zastakljivanje koje su priložene uz stakla.
- (RO) Vă rugăm să consultați instrucțiunile de aplicare a geamurilor, care sunt incluse împreună cu geamurile.
- (SK) Prečítajte si návod na zasklievanie, ktorý je súčasťou dodávky zasklievacích skiel.
- (RU) Пожалуйста, ознакомьтесь с инструкцией по остеклению, которая прилагается к стеклопакетам.
- (UK) Будь ласка, зверніться до інструкції зі скління, які додаються до склопакетів.

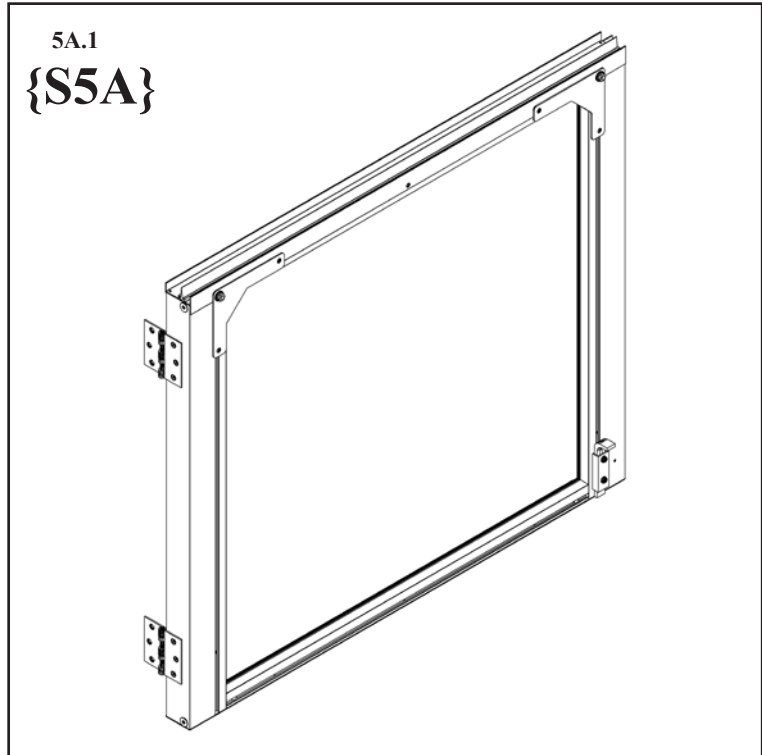
5A



(11200)



5A.1
{S5A}

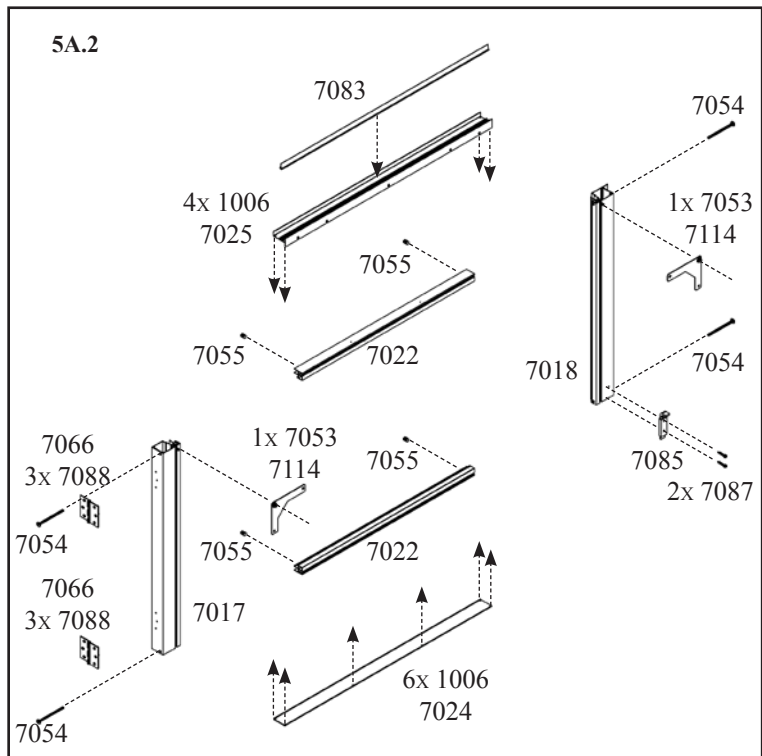


UPPER DOOR, OBERE TÜR, PORTE SUPÉRIEURE, BOVENSTE DØRDEL, ÖVRE DÖRRDELEN, PORTA SUPERIORE, HORNÍ DVEŘE, ZGORNJA VRATA.

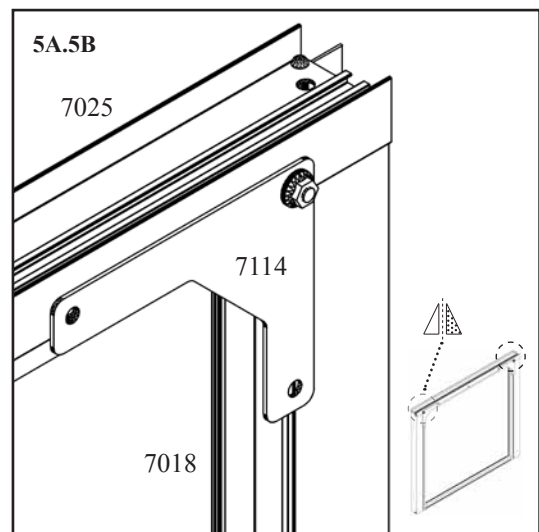
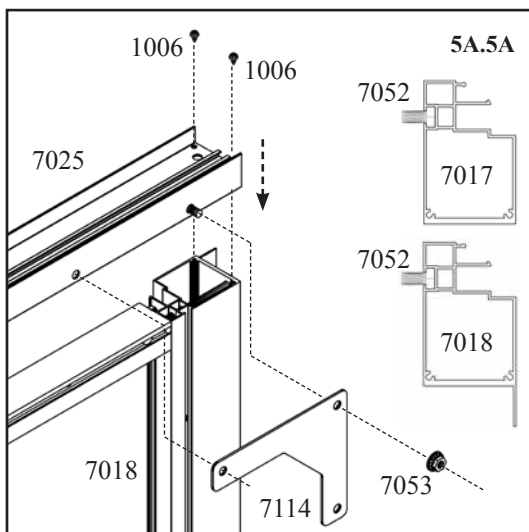
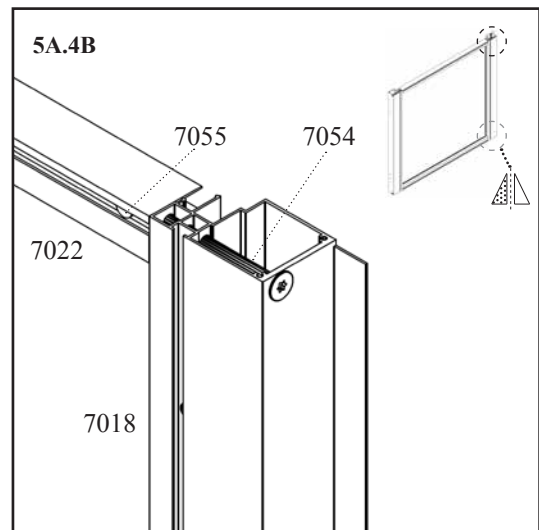
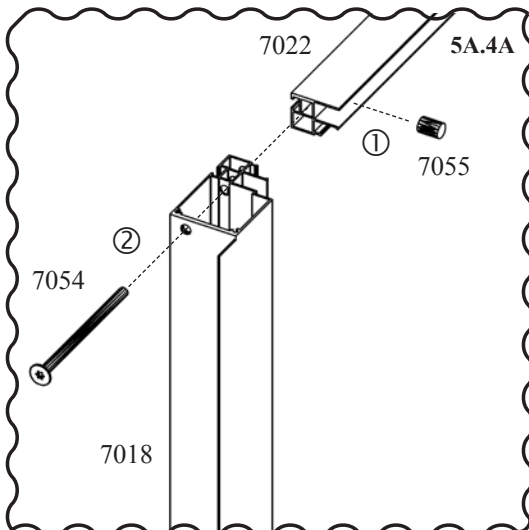
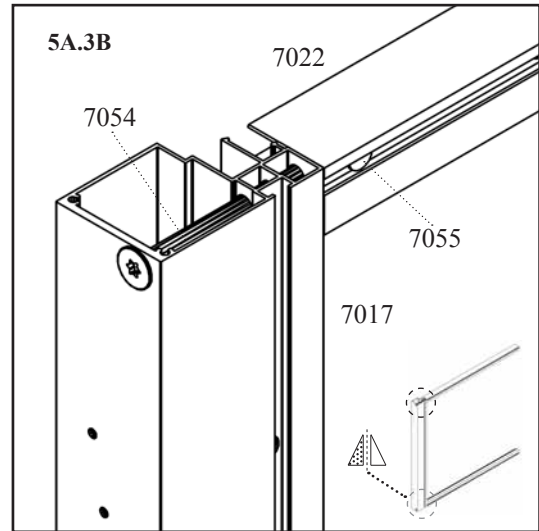
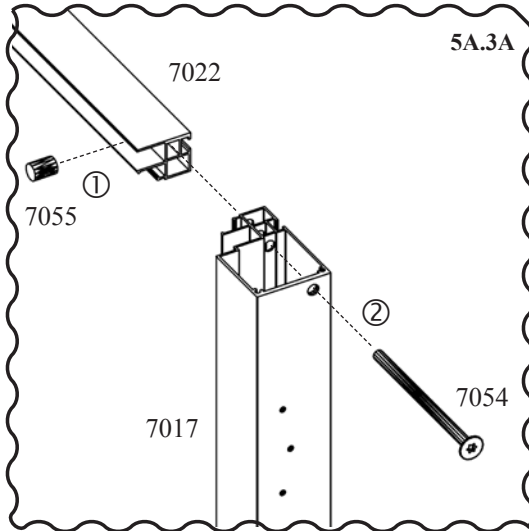
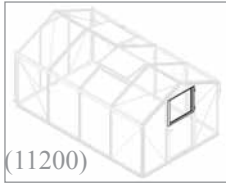
5A	
1006 10x	
7017 1x	
7018 1x	
7022 2x	
7024 1x	
7025 1x	
7052 2x	
7053 2x	
7054 4x	
7055 4x	
7066 2x	
7083 1x	
7085 1x	
7087 2x	
7088 6x	
7114 2x	

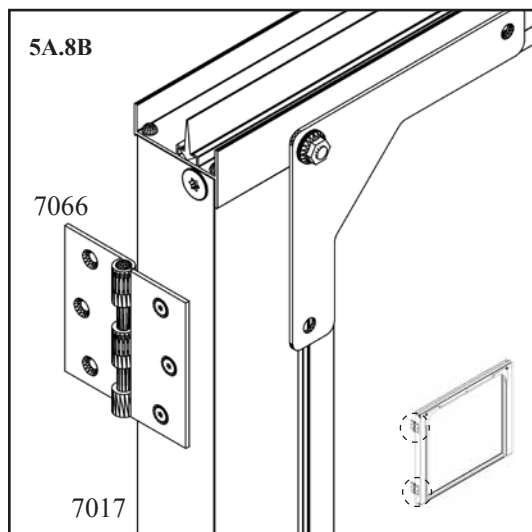
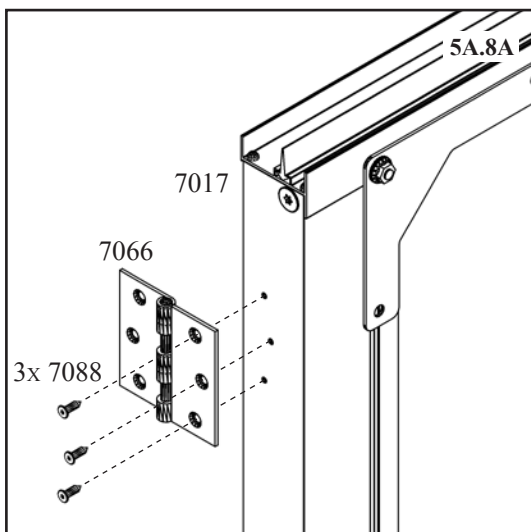
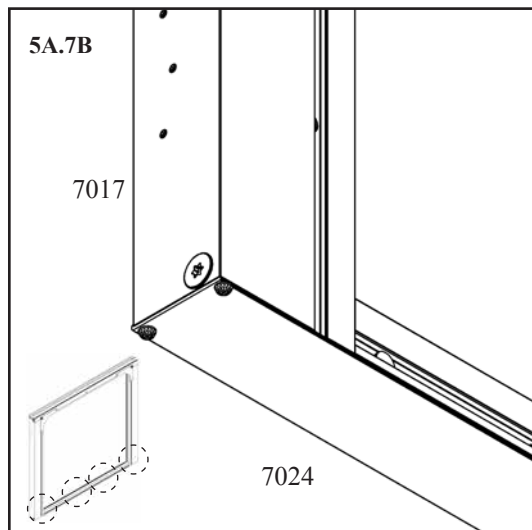
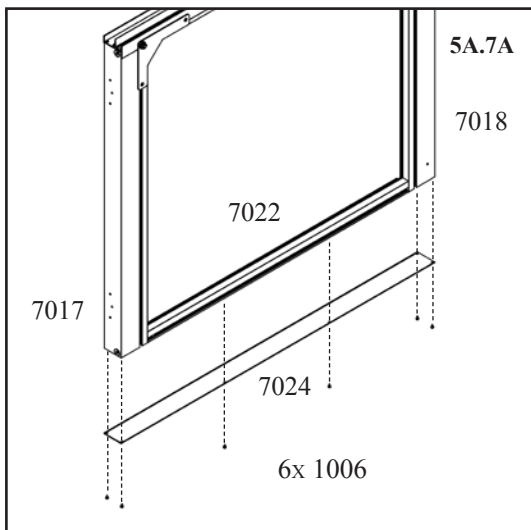
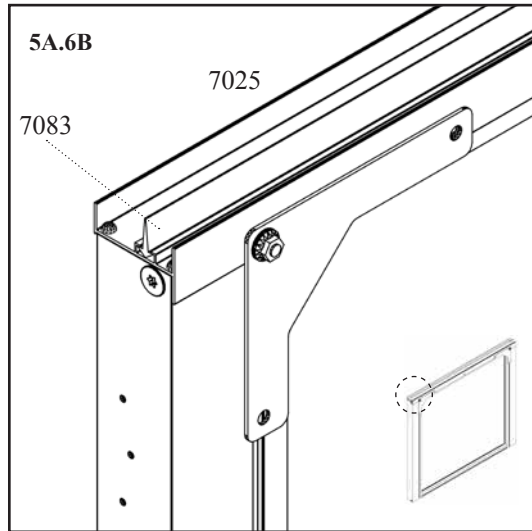
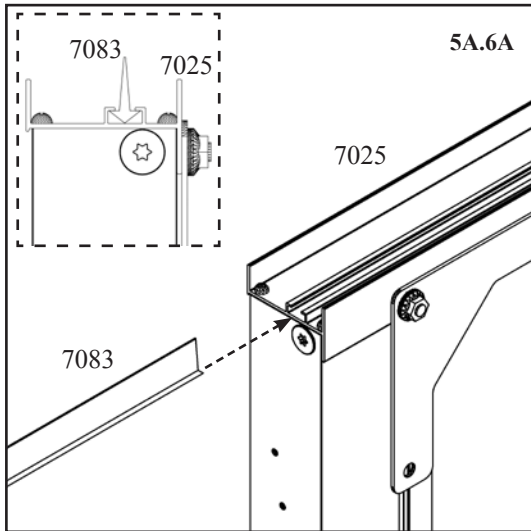
Stall Door -DEI

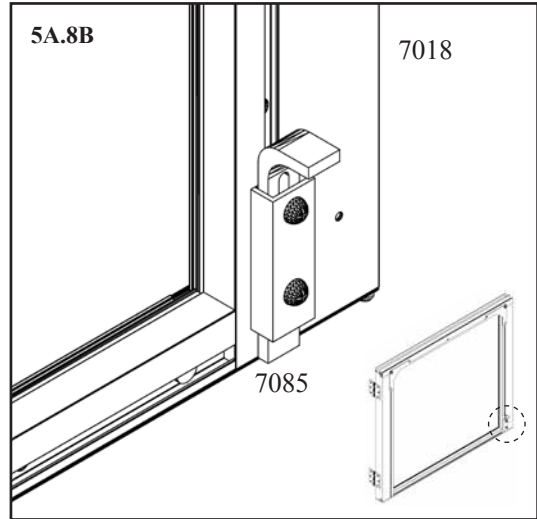
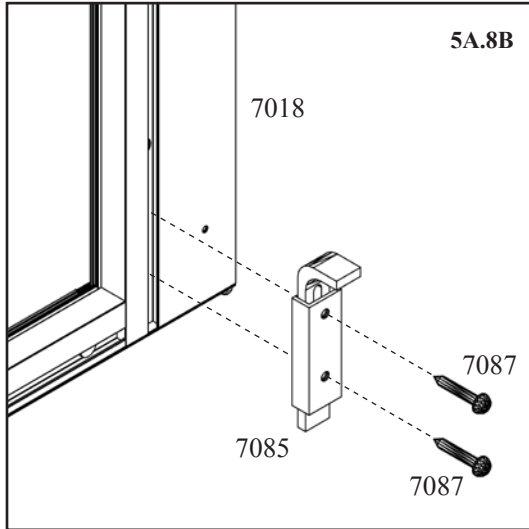
5A.2



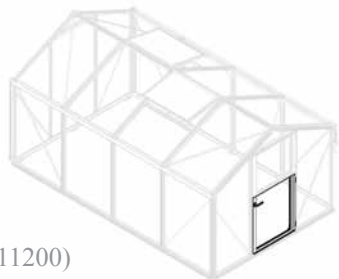
5A



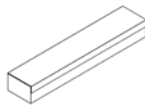




5B



(11200)

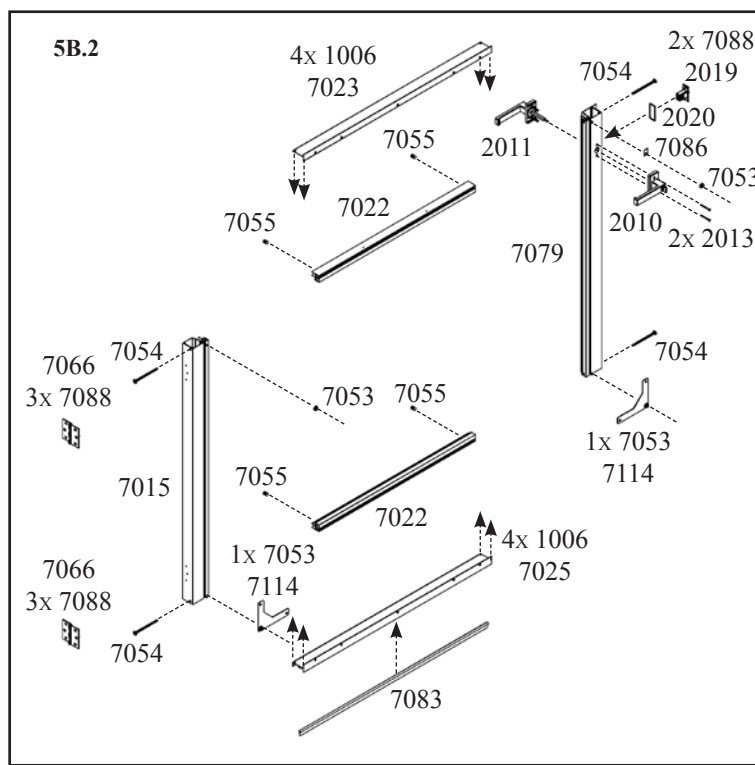


5B.1
{S5B}

LOWER DOOR, UNTERE TÜR, PORTE INFÉRIEURE, ONDERSTE DEUR, NEDERSTE DÖRDEL, NEDRE DÖRRDELEN,
PORTA INFERIORE, DOLNÍ DVEŘE, SPODNJA VRATA.

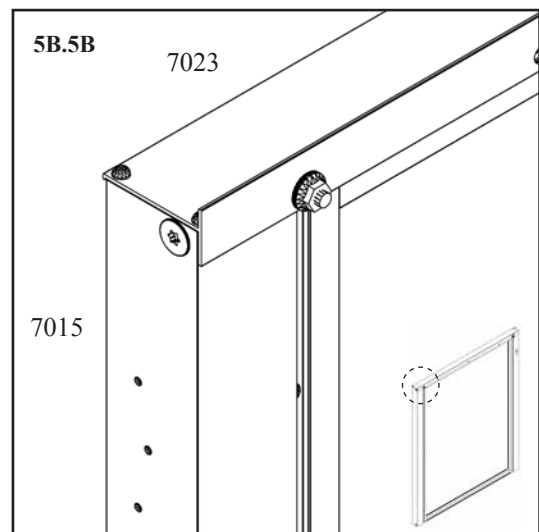
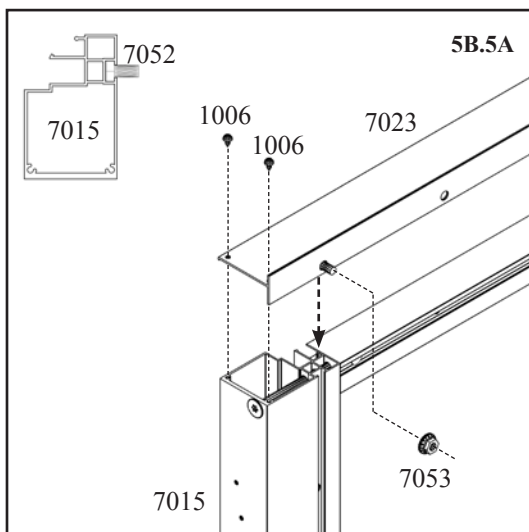
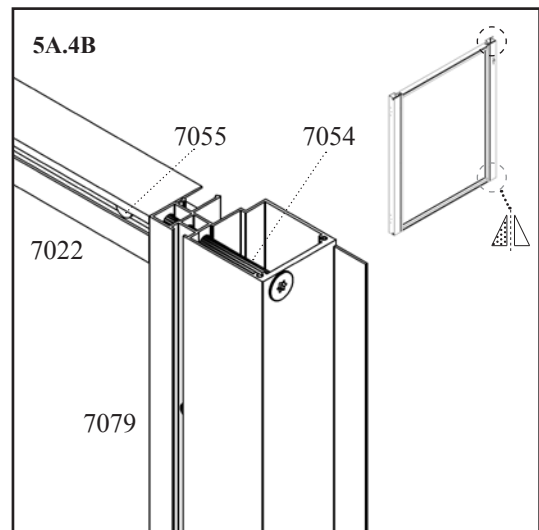
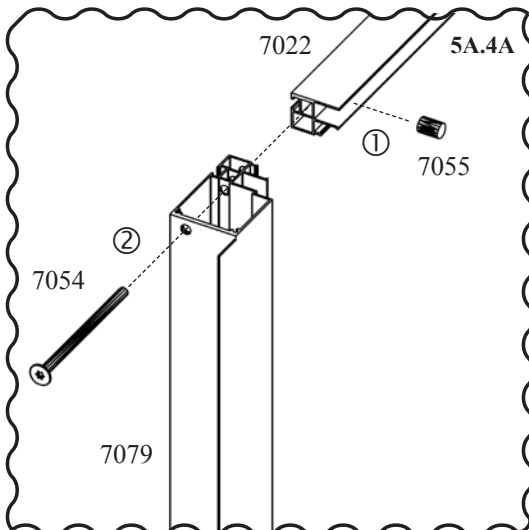
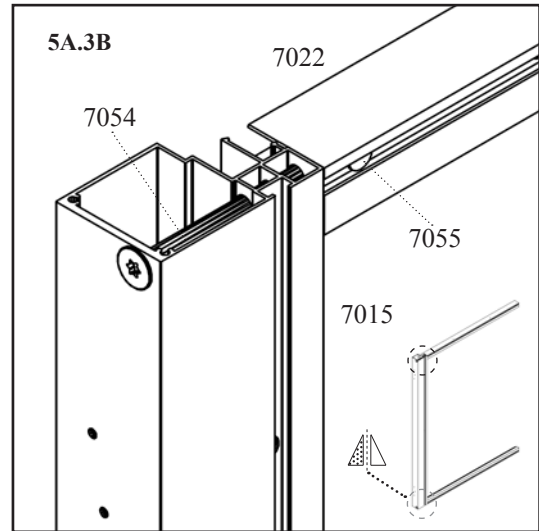
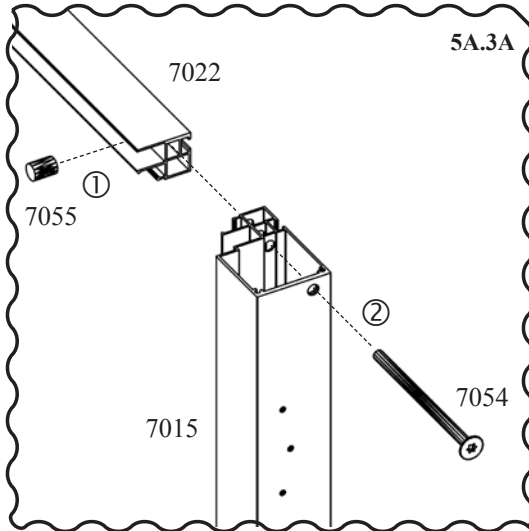
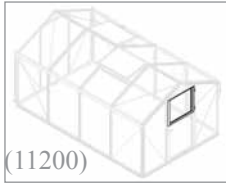
5B	
1006 8x	
2010 1x	
2011 1x	
2013 2x	
2019 1x	
2020 1x	
7015 1x	
7022 2x	
7023 1x	
7025 1x	
7052 4x	
7053 4x	
7054 4x	
7055 4x	
7066 2x	
7079 1x	
7083 1x	
7086 1x	
7088 8x	
7114 2x	

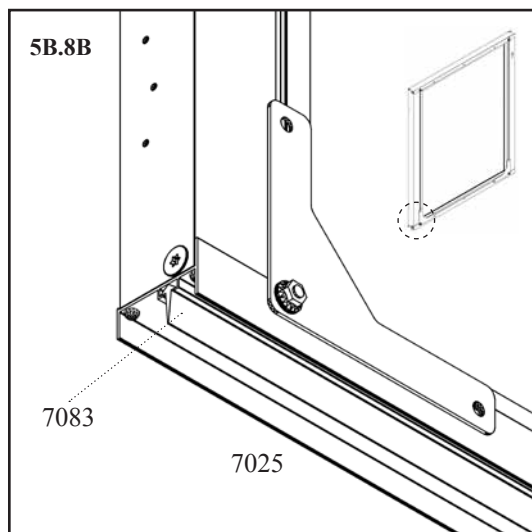
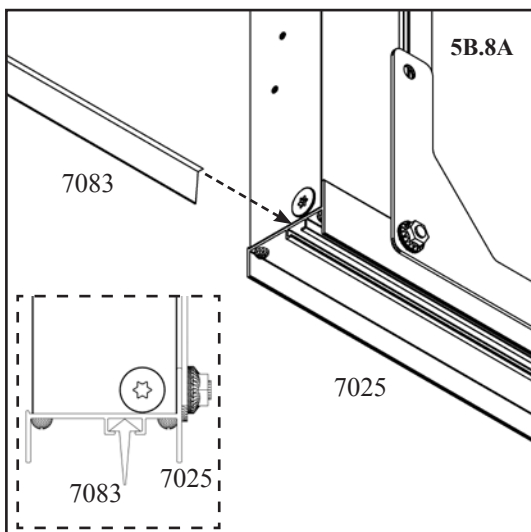
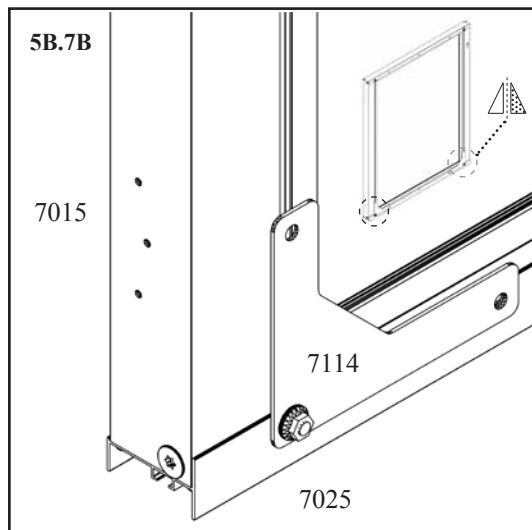
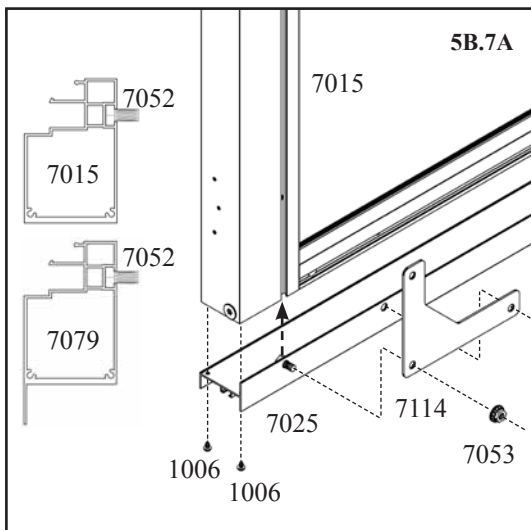
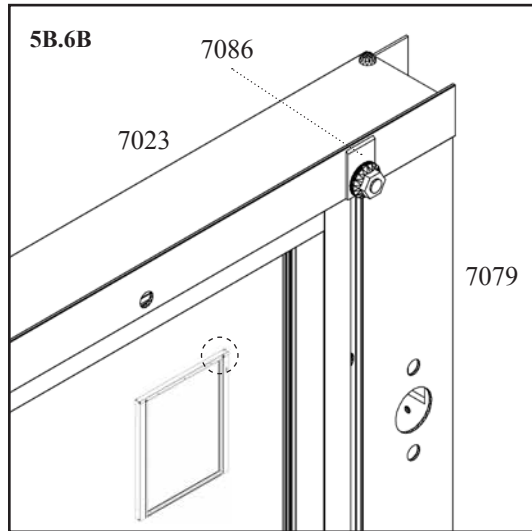
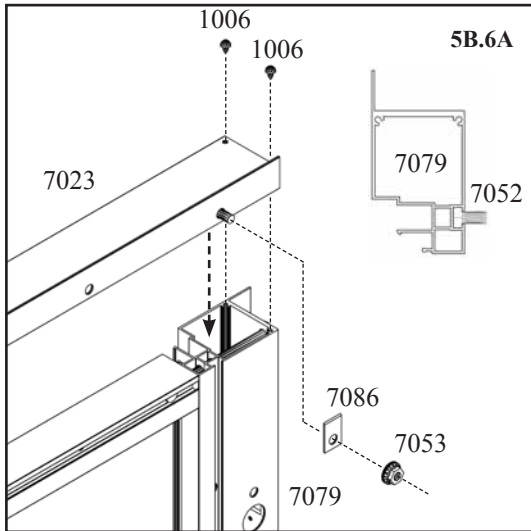
Stall Door -DEI



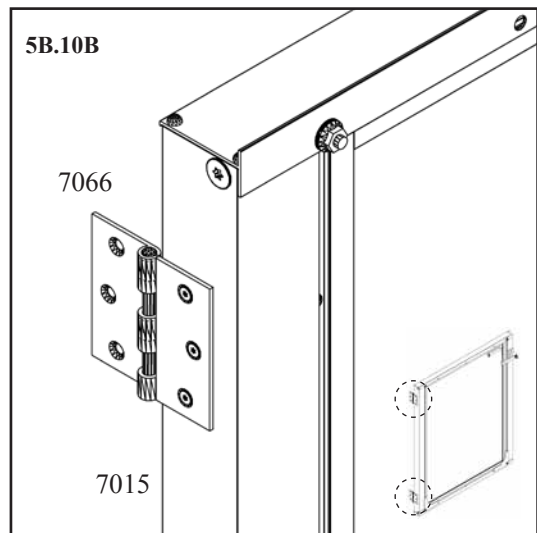
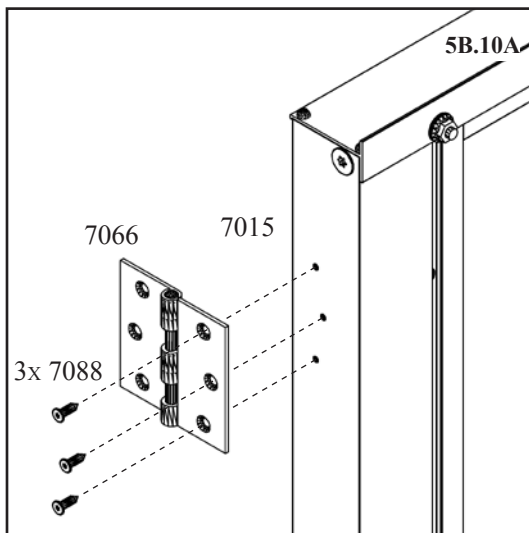
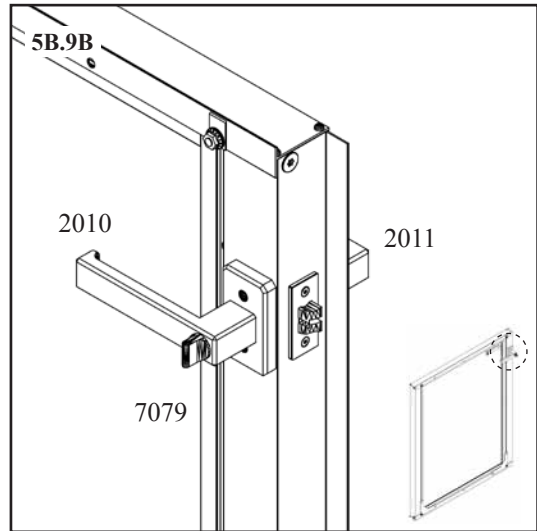
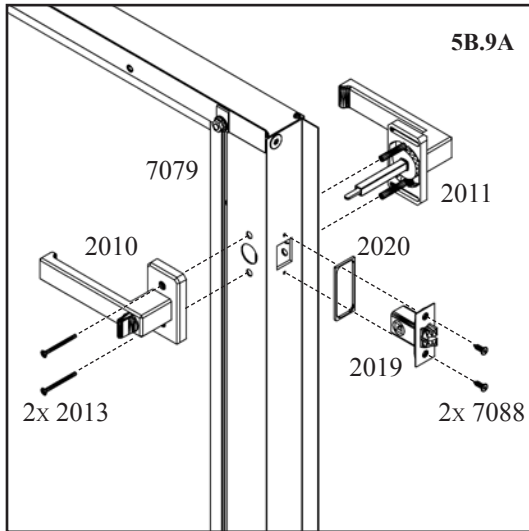
5B.2

5B

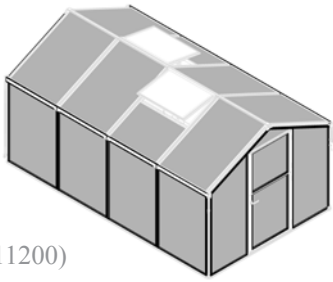




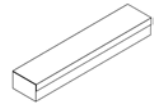
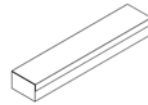
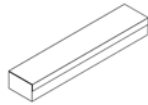
 Mirror of



6 {D} {E} {F}



(11200)



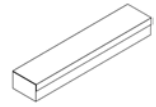
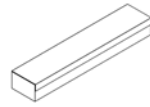
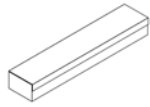
**GLAZING, VERGLASUNG, VITRAGE, BEGLAZING, GLAS / POLYCARBONATPLADER,
GLAS / POLYKARBONAT, VETRATURA, PŘEHLEDNÝ PLÁN ZASKLENÍ, ZASTEKLITEV.**




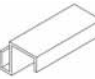
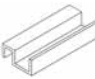

5800	8500	11200	13900	16600	+ Ext.	C6
1020	1x					Front Gable 1/2 - DEI
7034	2x					
7053	30x					
7074	1x					
7075	1x					
7127	2x					
7171	1x					
7172	1x					
7289	28x					
7342	2x					
7349	2x					
7399	2x					
7408	2x					
7409	2x					


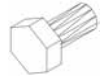








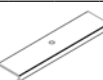




5800	8500	11200	13900	16600	+ Ext.	C6
7121	1x					Front Gable 2/2 - DEI
7122	1x					
7125	1x					
7126	1x					Stall Door - DEI
1020	1x					
7031	2x					
7034	4x					
7035	2x					
7053	22x					
7288	10x					
7289	12x					

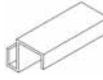


5800	8500	11200	13900	16600	+ Ext.	C6
1020	1x					Back Gable - DEI
7034	2x					
7053	34x					
7074	1x					
7075	1x					
7118	1x					
7121	1x					
7122	1x					
7123	1x					
7124	1x					
7127	2x					
7171	1x					
7172	1x					
7289	32x					
7342	2x					

6 {D} {E} {F}

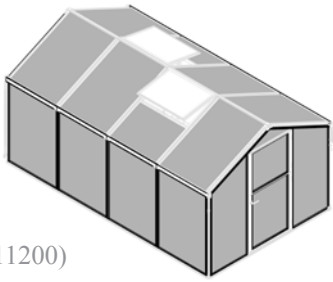


5800	8500	11200	13900	16600	+ Ext.	C6
7349	2x		Back Gable - DEI			
7399	2x					
7406	2x					
7407	2x					
7408	2x					
7409	2x					

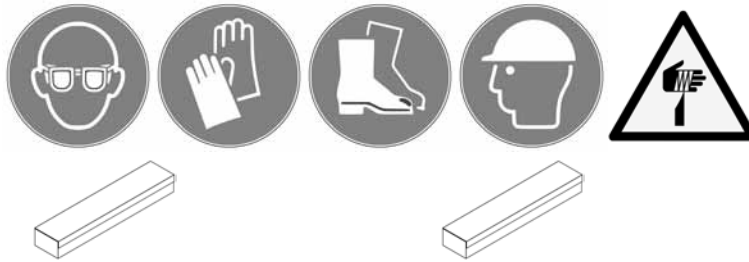
5800	8500	11200	13900	16600	+ Ext.	C6
1020	1x		Side Ends 1/2 - DEI			
7052	4x					
7053	24x					
7061	2x					
7064	2x					
7080	8x					
7119	4x					
7127	4x					
7156	4x					
7173	4x					
7240	2x					
7289	16x					
7292	2x					
7349	10x					
7406	4x					

5800	8500	11200	13900	16600	+ Ext.	C6
7407	4x		Side Ends 1/2 - DEI			
7423	8x					
7497	1x					

6 {D} {E} {F}



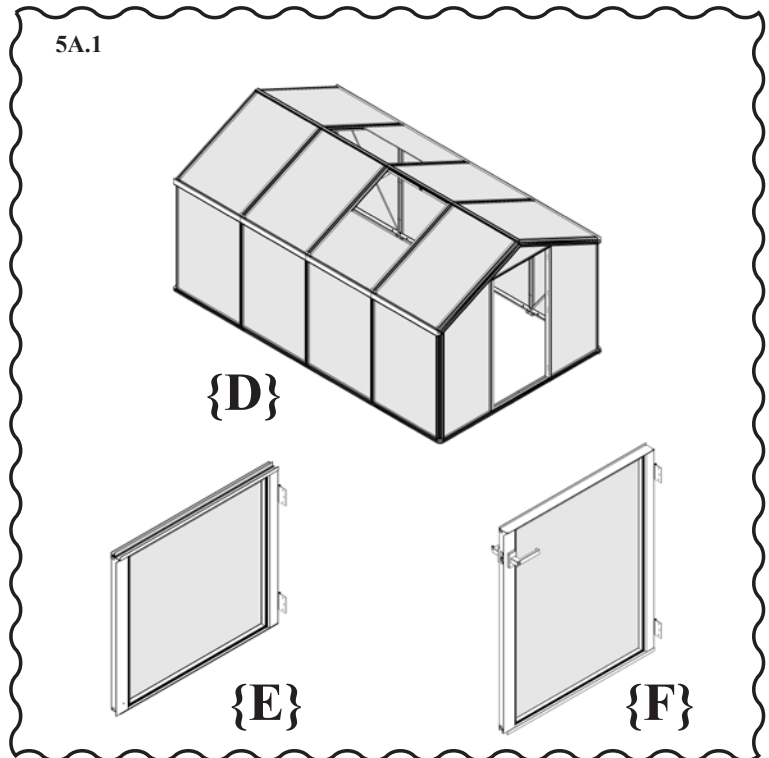
(11200)



5800	8500	11200	13900	16600	+ Ext.	C6
1020						Side Middle- DEI
1x						
-	1x	2x	3x	4x	+1x	
7052						
-	2x	4x	6x	8x	+2x	
7053						
-	18x	36x	54x	72x	+18x	
7061						
-	2x	4x	6x	8x	+2x	
7064						
-	2x	4x	6x	8x	+2x	
7080						
-	8x	16x	24x	32x	+8x	
7119						
-	2x	4x	6x	8x	+2x	
7127						
-	4x	8x	12x	16x	+4x	
7157						
-	2x	4x	6x	8x	+2x	
7170						
-	2x	4x	6x	8x	+2x	
7240						
-	2x	4x	6x	8x	+2x	

5800	8500	11200	13900	16600	+ Ext.	C6
7289						Side Middle- DEI
-	16x	32x	48x	64x	+16x	
7292						
-	2x	4x	6x	8x	+2x	
7349						
-	4x	10x	18x	23x	+6x	
7406						
-	2x	4x	6x	8x	+2x	
7407						
-	2x	4x	6x	8x	+2x	
7423						
-	2x	6x	10x	13x	+4x	

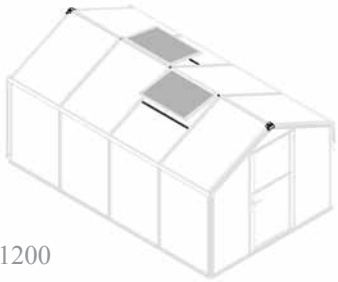
{S3}		
1x		
{S5A}		-
1x		
{S5B}		
1x		



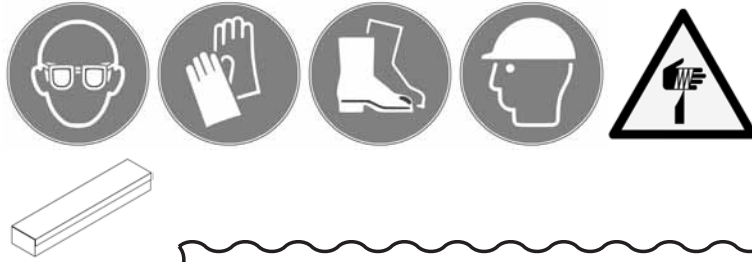
6 {D} {E} {F}

- Ⓔ Please refer to the glazing instructions which are included together with the glazing panes.
- Ⓕ Bitte beachten Sie die Verglasungsanleitung, die den Verglasungsscheiben beiliegt.
- Ⓖ Veuillez vous référer aux instructions relatives au vitrage qui sont fournies avec les vitres.
- Ⓗ Raadpleeg de beglazingsinstructies die samen met de ruiten worden geleverd.
- Ⓙ Se venligst glasvejledning, som følger med ruderne.
- Ⓚ Se glasningsanvisningarna som medföljer glasrutorna.
- Ⓛ Se instruksjonene for innglassing som følger med glassene.
- Ⓜ Tutustu lasitusohjeisiin, jotka toimitetaan lasien mukana.
- Ⓝ Consultare le istruzioni per l'installazione dei vetri fornite insieme alle lastre di vetro.
- Ⓒ Řiďte se pokyny pro zasklívání, které jsou součástí dodávky zasklívacích skel.
- Ⓟ Należy zapoznać się z instrukcją szklenia, która jest dołączona do szyb.
- Ⓠ Upoštevajte navodila za zasteklitev, ki so priložena zasteklitvenim ploščam.
- ⒽⓂ Kérjük, olvassa el az üvegezési útmutatót, amelyet az üvegezéshez mellékeltek.
- ⒽⓇ Molimo pogledajte upute za ostakljenje koje su priložene zajedno sa staklenim pločama.
- ⒽⓈ Molimo pogledajte upute za zastakljivanje koje su priložene uz stakla.
- ⒽⓇⓂ Vă rugăm să consultați instrucțiunile de aplicare a geamurilor, care sunt incluse împreună cu geamurile.
- ⒽⓀ Prečítajte si návod na zasklievanie, ktorý je súčasťou dodávky zasklievacích skiel.
- ⒽⓇⓂ Пожалуйста, ознакомьтесь с инструкцией по остеклению, которая прилагается к стеклопакетам.
- ⒽⓀ Будь ласка, зверніться до інструкції зі скління, які додаються до склопакетів.

7A



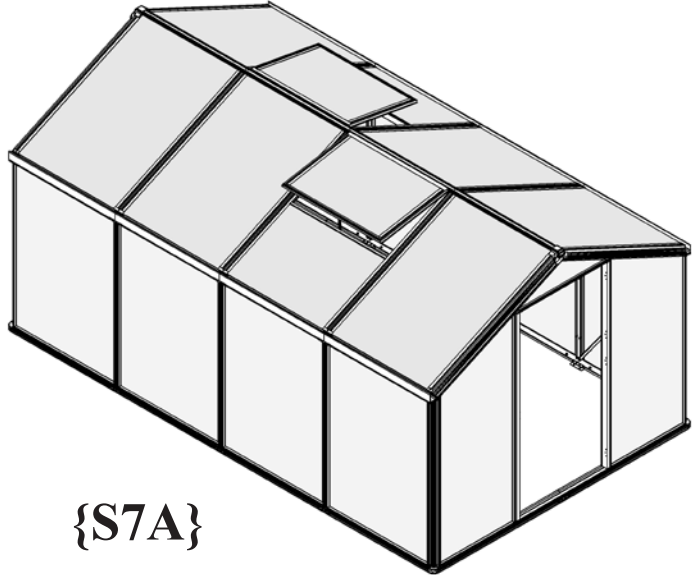
11200



**FINISHING, ABSCHLUSSARBEITEN, TRAVAUX DE FINITION, AFWERKING,
 FÆRDIGGØRELSE, FÆRDIGSTÄLLNING, LAVORI FINALI, ZÁVĚREČNÉ PRÁCE, ZAKLJUČNA DELA.**

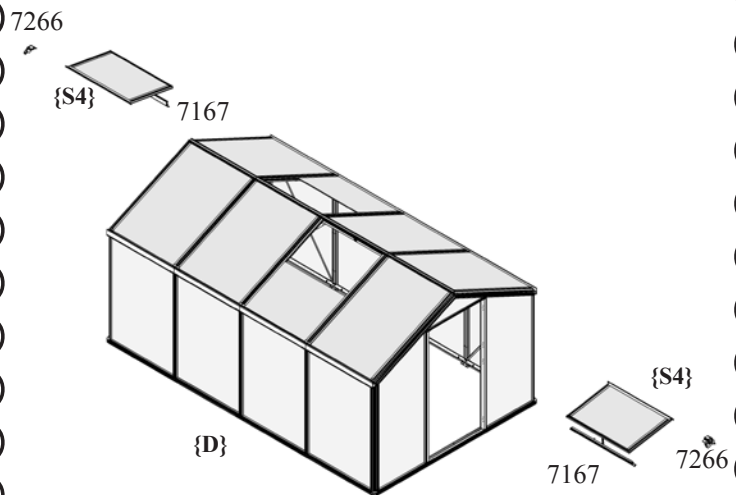
5800	8500	11200	13900	16600	C7A
7088 2x					Front Gable 1/2 - DEI
7266 1x					
7088 2x					Back Gable - DEI
7266 1x					
1006					1x Roof Vent - DEI
4x	4x	8x	8x	12x	
6056					
2x	2x	4x	4x	6x	
7053					
2x	2x	4x	4x	6x	
7167					
1x	1x	2x	2x	3x	
7349					
2x	2x	4x	4x	6x	
7369					
2x	2x	4x	4x	6x	
7399					
2x	2x	4x	4x	6x	
{D} 1x					-
{S4}					-
1x	1x	2x	2x	3x	

7A.1



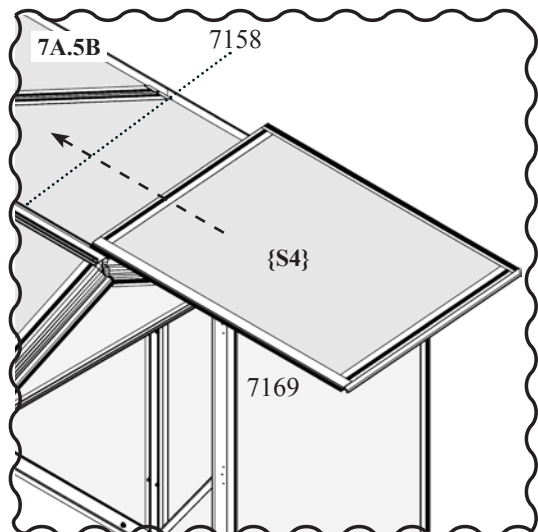
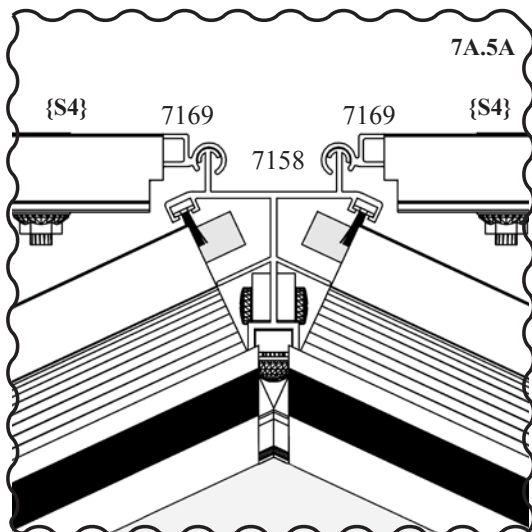
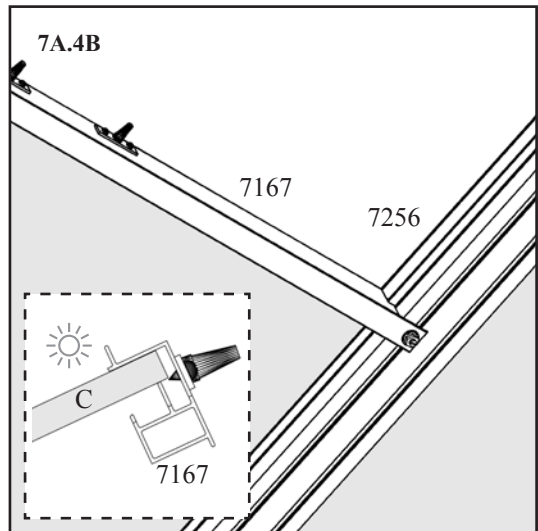
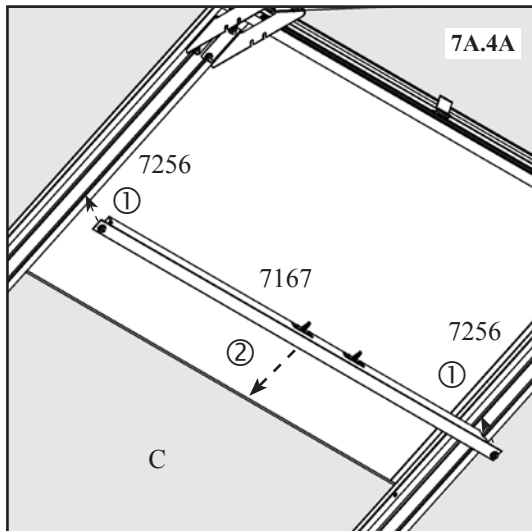
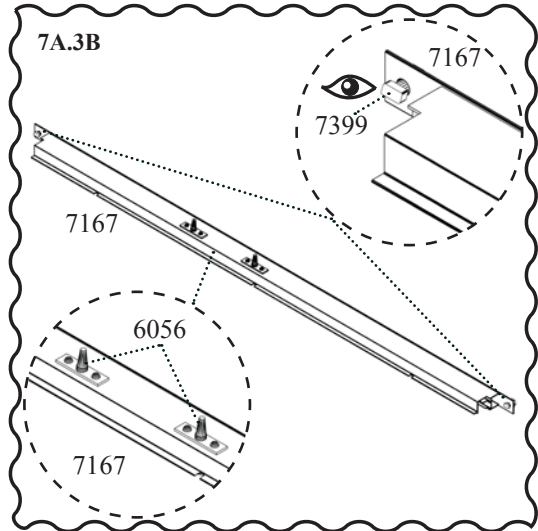
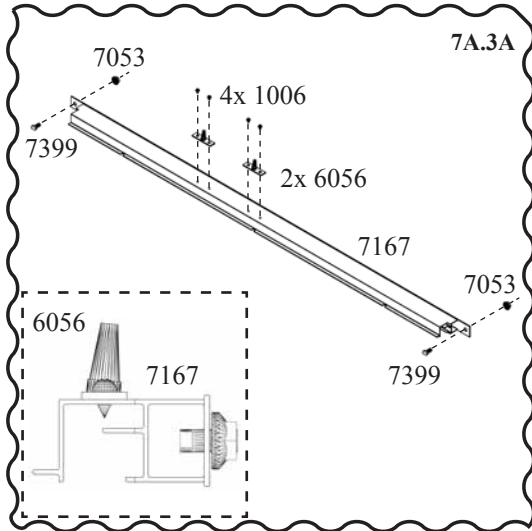
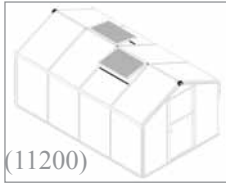
(11200)

7A.2

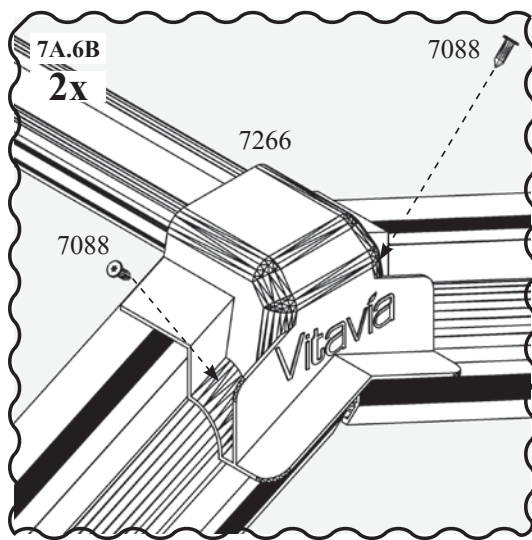
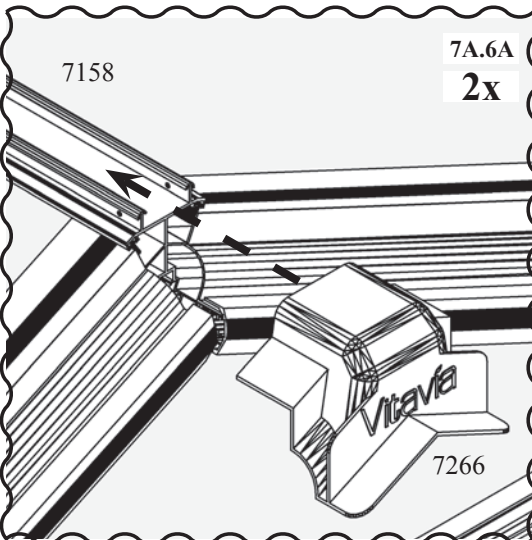
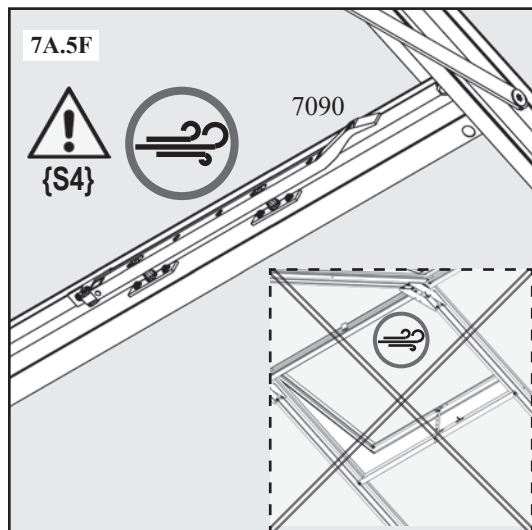
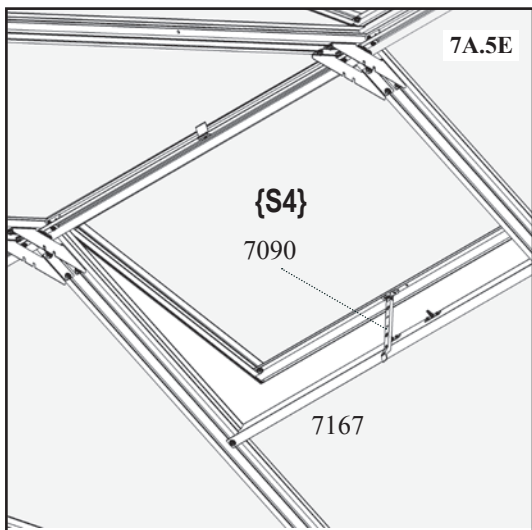
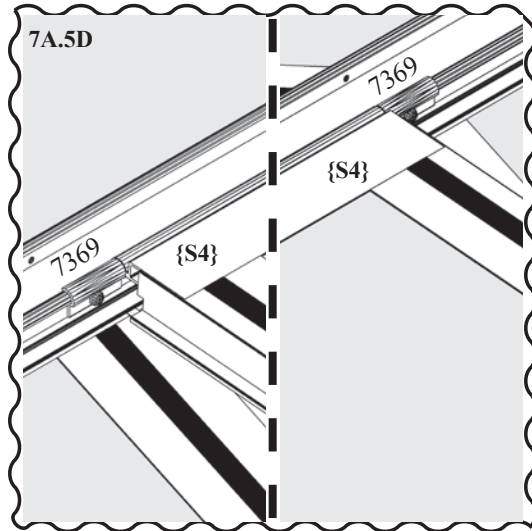
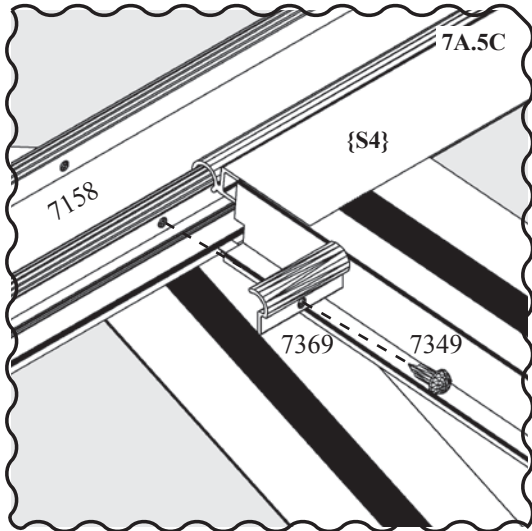


(11200)

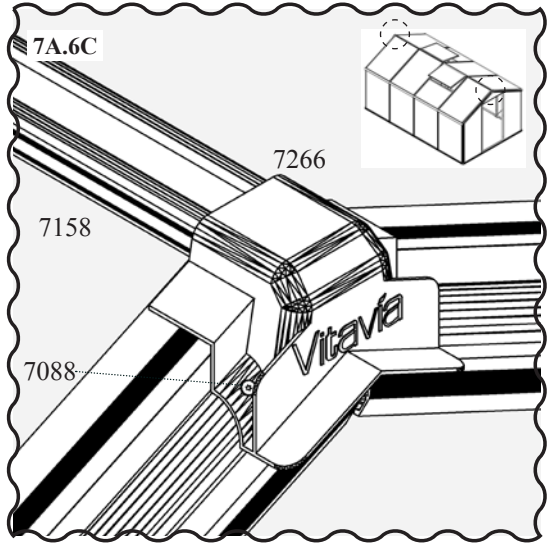
7A



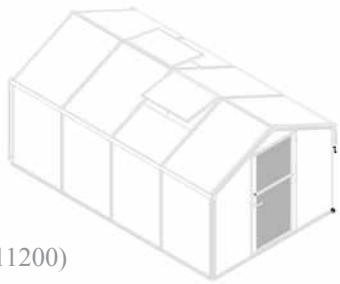
Look closely



Important!
 High Wind
 Incorrect!



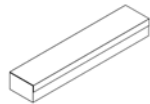
7B



(11200)



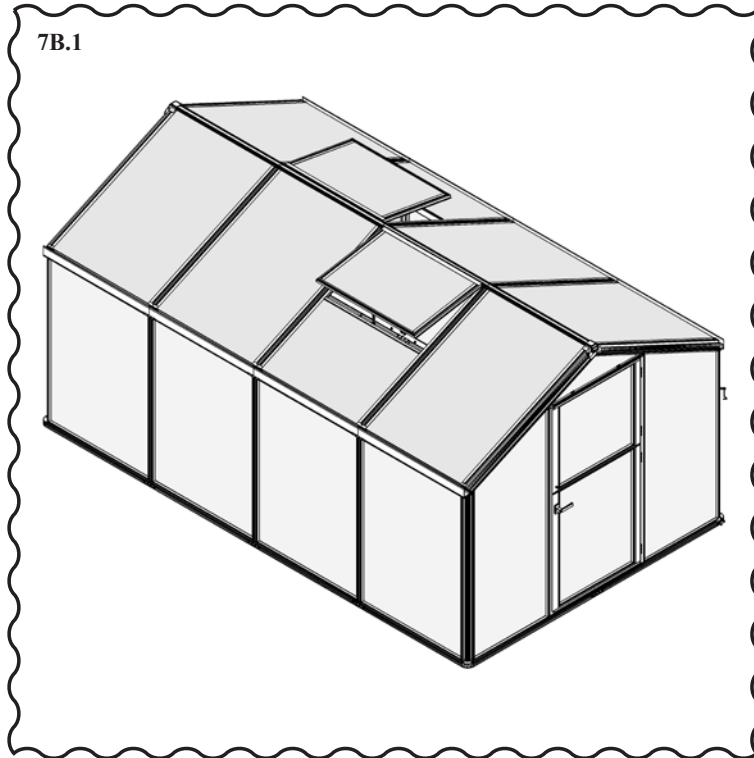
FINISHING, ABSCHLUSSARBEITEN, TRAVAUX DE FINITION, AFWERKING,
 FÆRDIGGØRELSE, FÆRDIGSTÅLLNING, LAVORI FINALI, ZÁVĚREČNÉ PRÁCE, ZAKLJUČNA DELA.



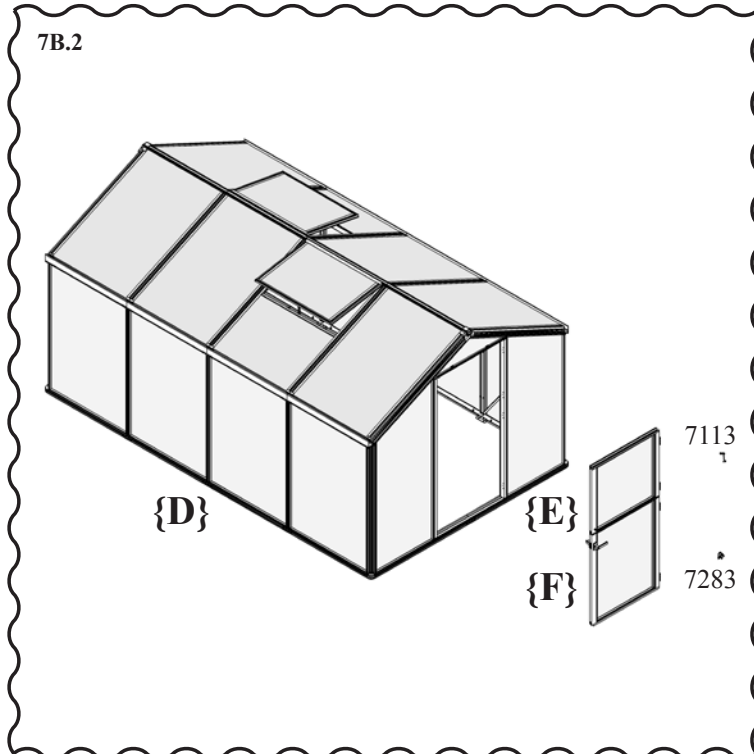
5800	8500	11200	13900	16600	C7B
2026	1x				Stall Door - DEI
7053	3x				
7088	14x				
7111	1x				
7112	1x				
7113	1x				
7283	1x				
7399	3x				

{S7A}	1x		-
{E}	1x		-
{F}	1x		-

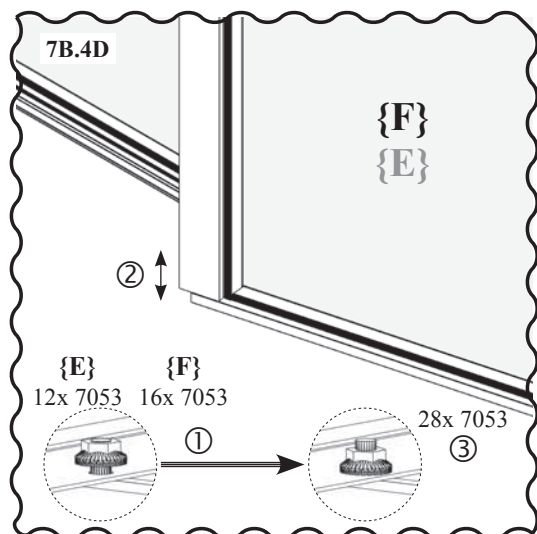
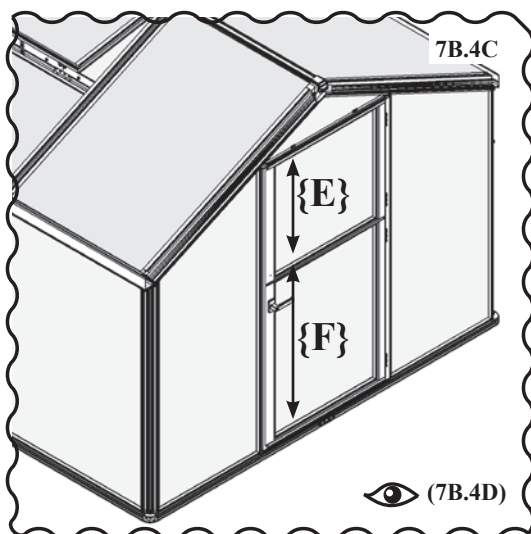
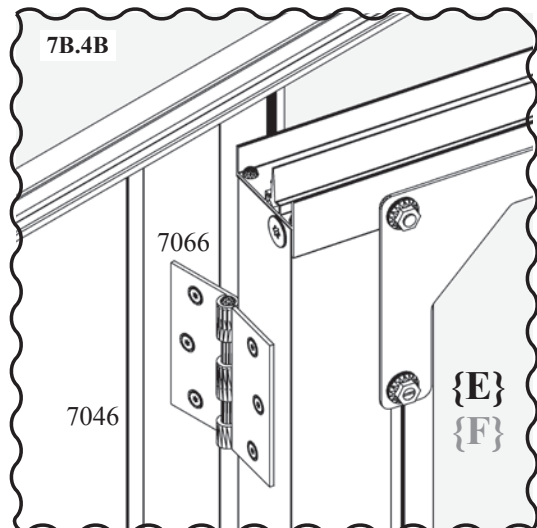
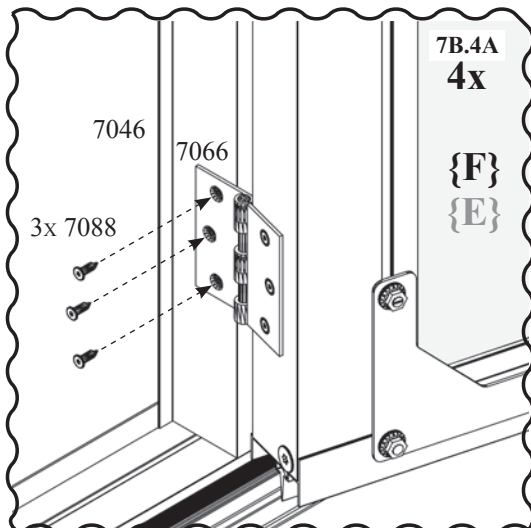
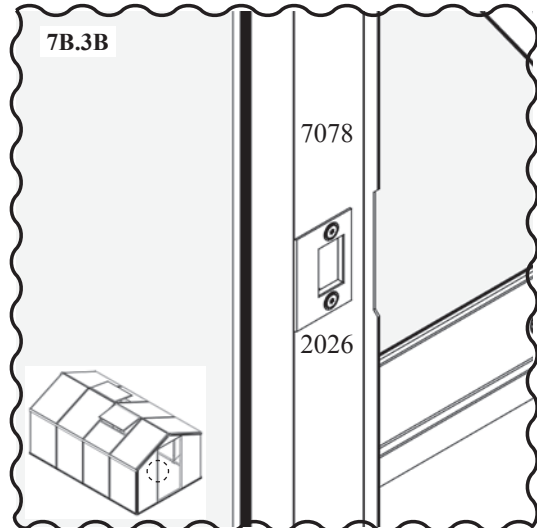
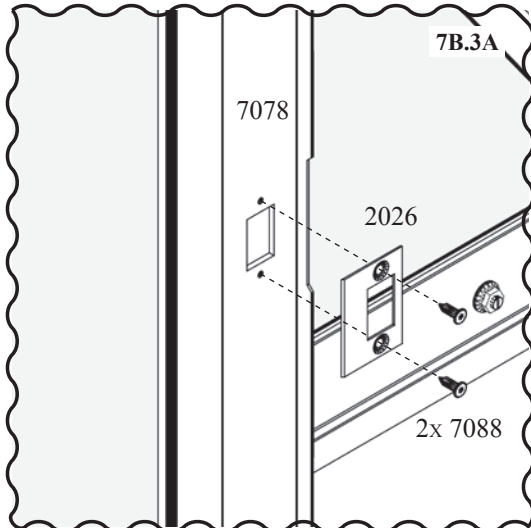
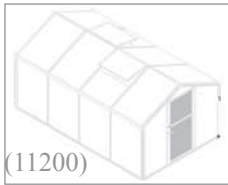
7B.1



7B.2



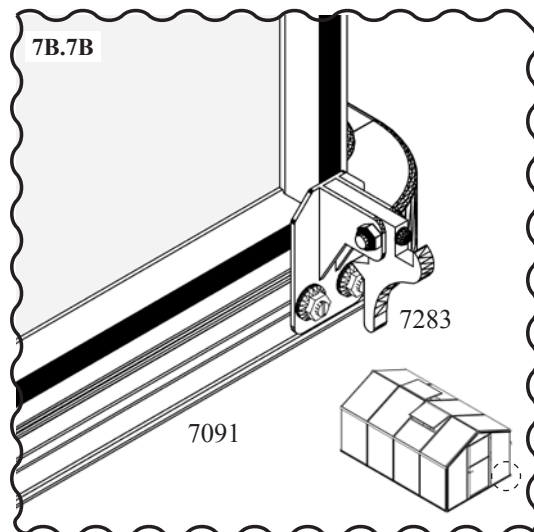
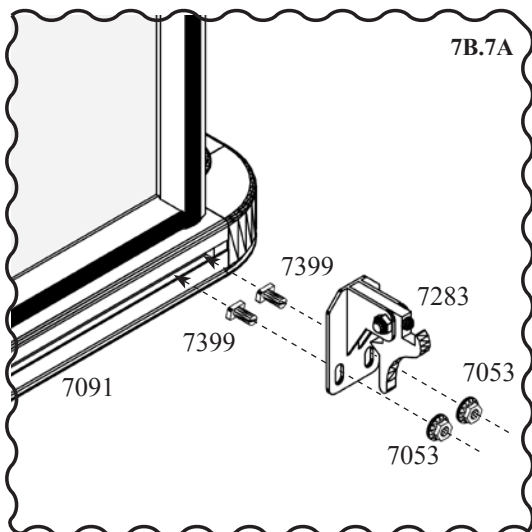
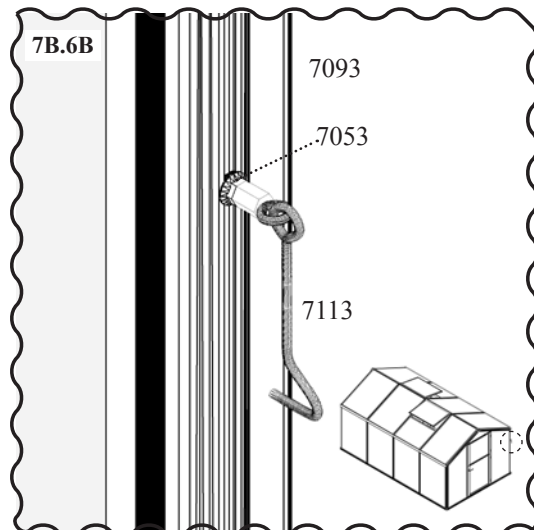
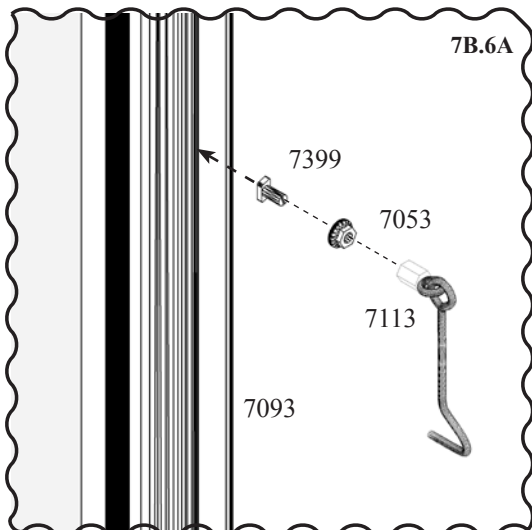
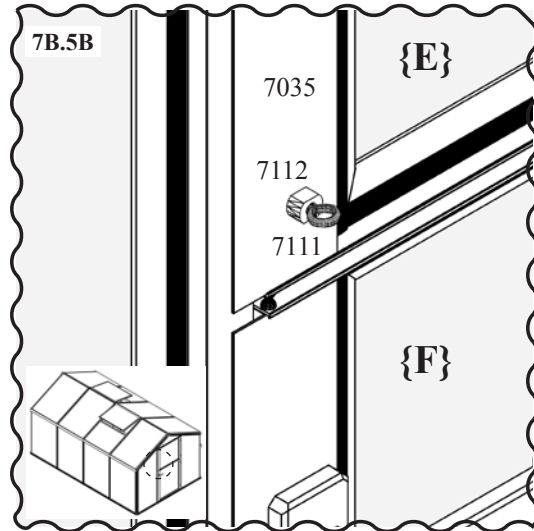
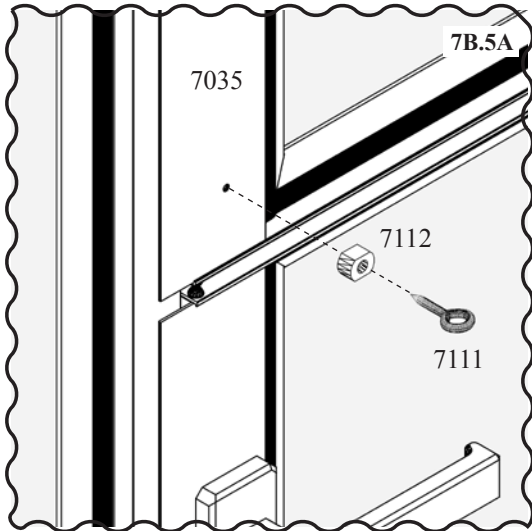
7B

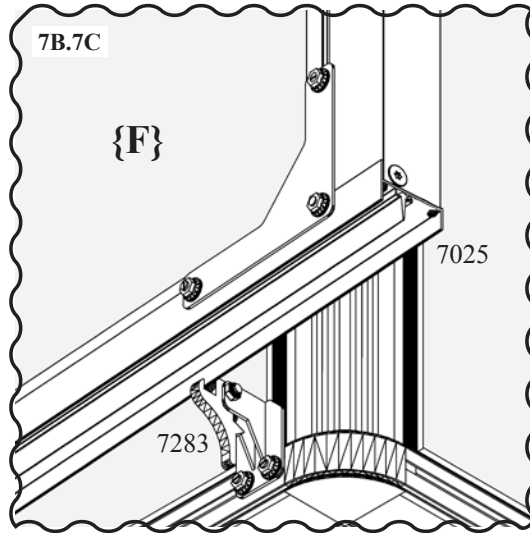


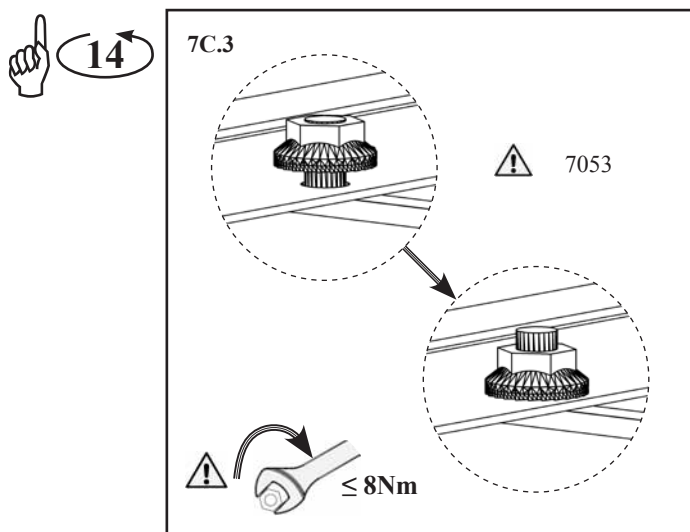
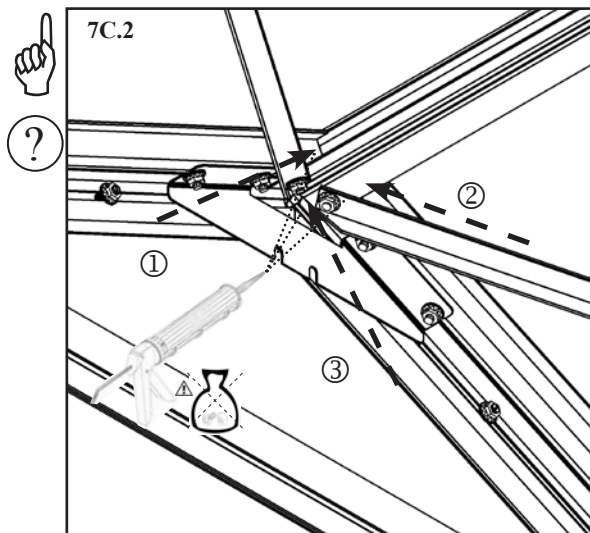
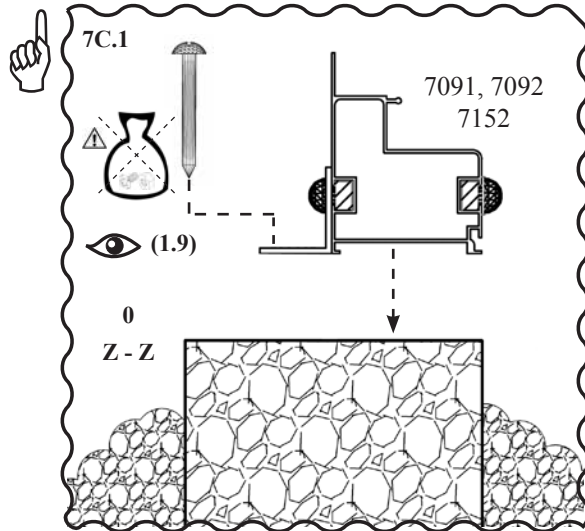
Persons required.



Look closely







Important Tip



Go to



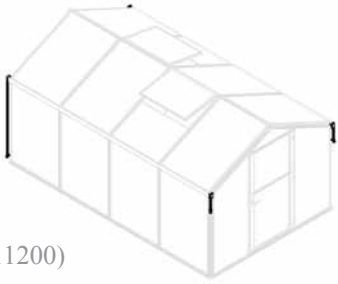
Not included in product!



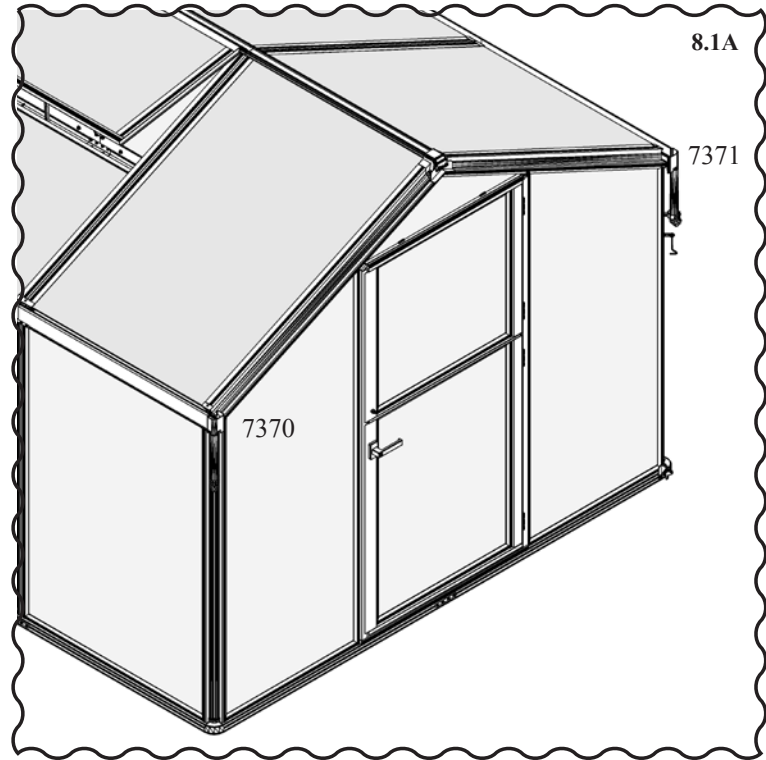
Alternative options



Important!













(11200)



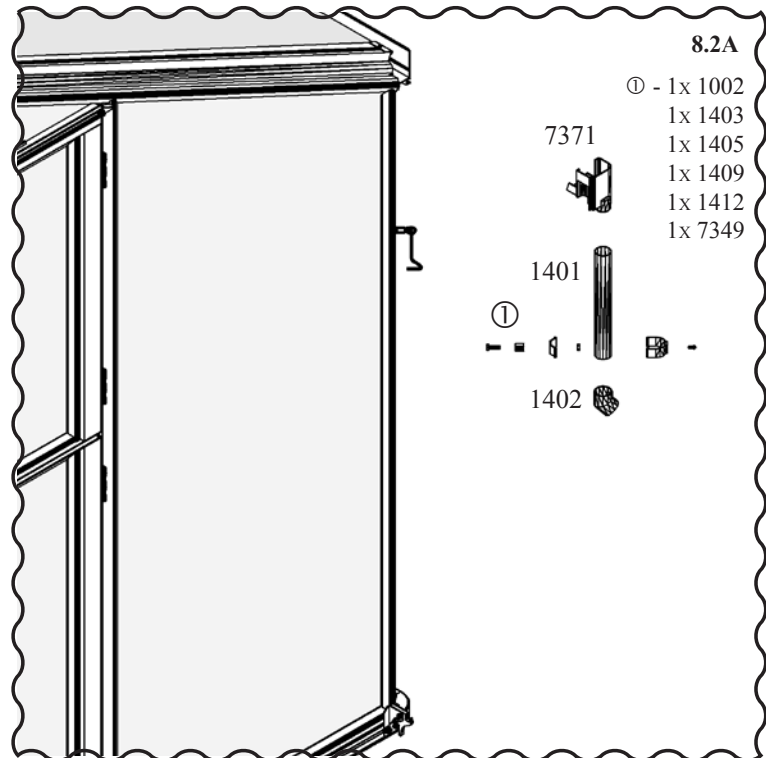
8.1A

7371

7370

5800	8500	11200	13900	16600	C8
1002 2x					Front Gable 1/2 - DEI
1401 2x					
1402 2x					
1403 2x					
1405 2x					
1409 2x					
1412 2x					
7349 2x					
7370 1x					
7371 1x					

Front Gable 1/2 - DEI



8.2A











7371

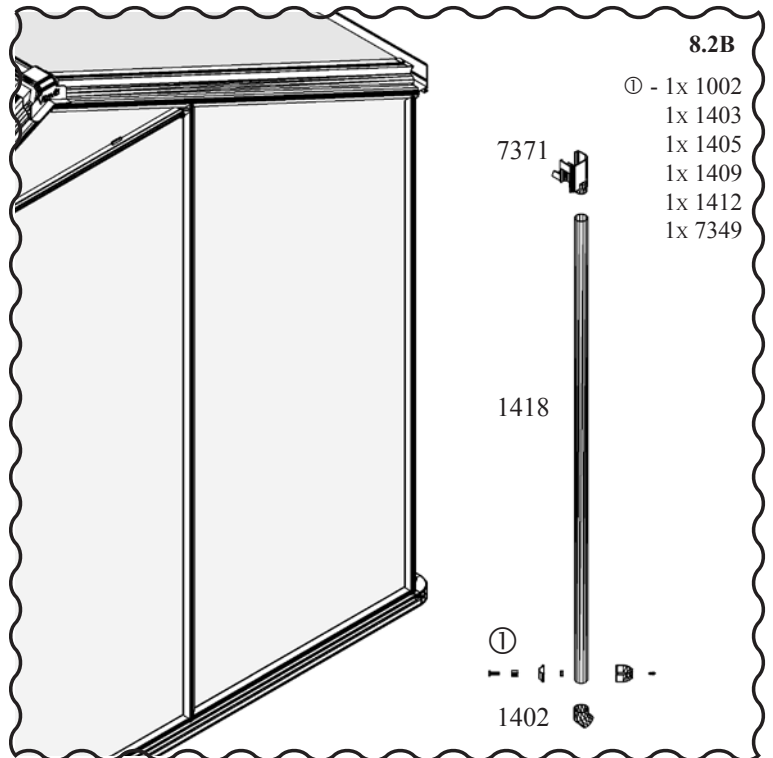
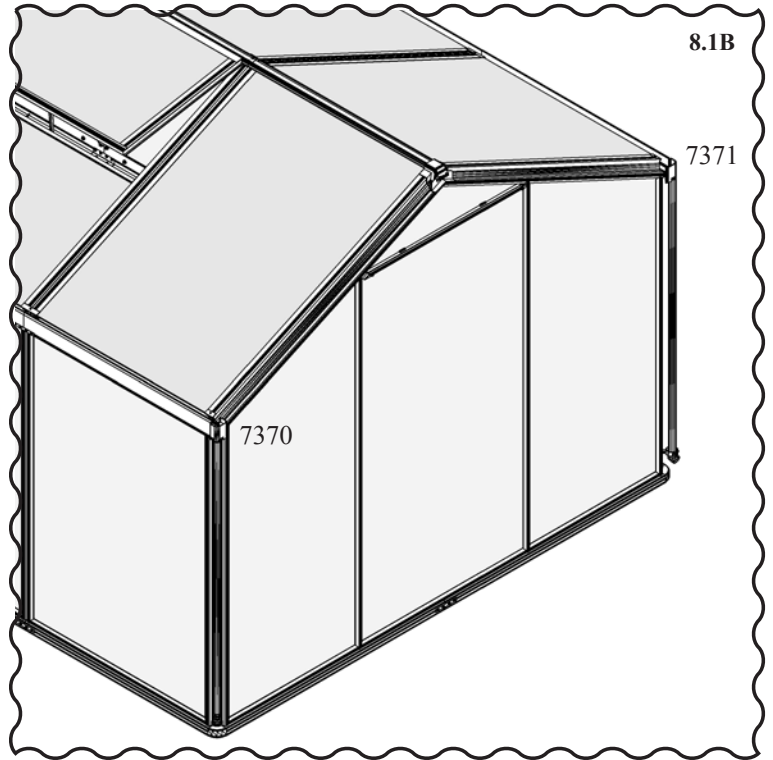
① - 1x 1002
1x 1403
1x 1405
1x 1409
1x 1412
1x 7349

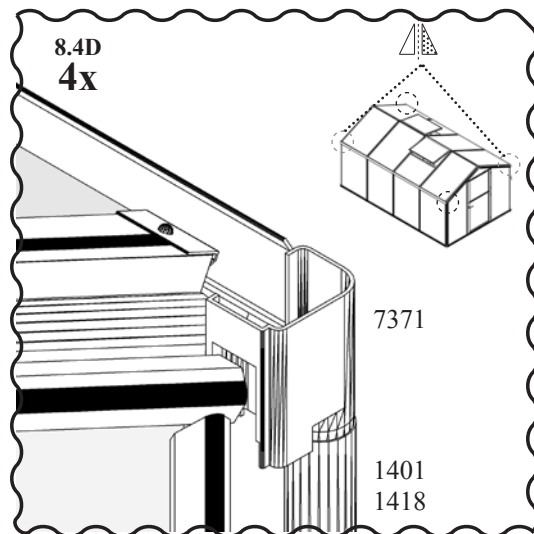
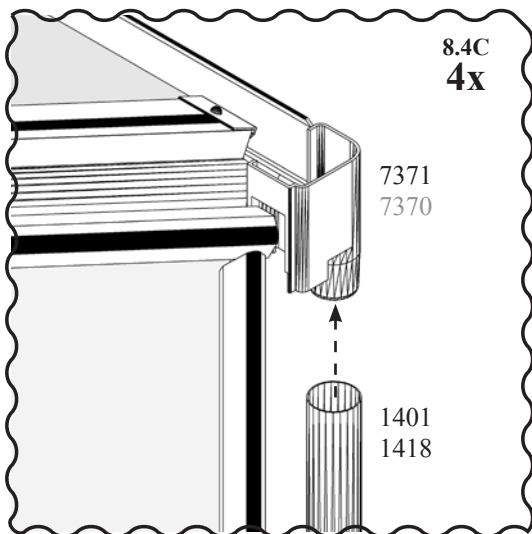
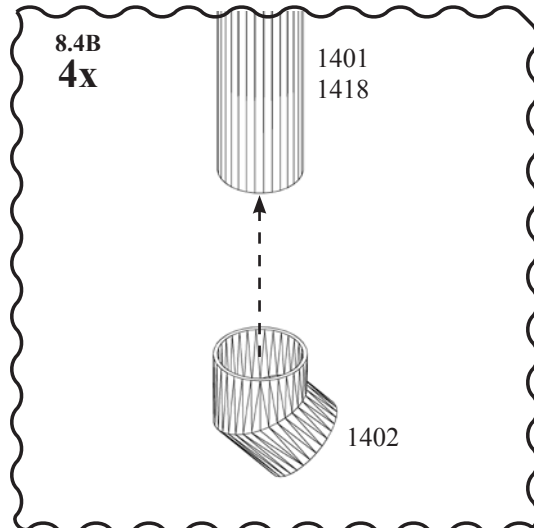
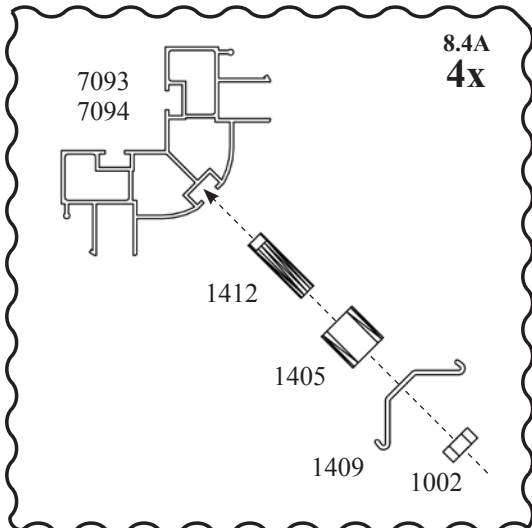
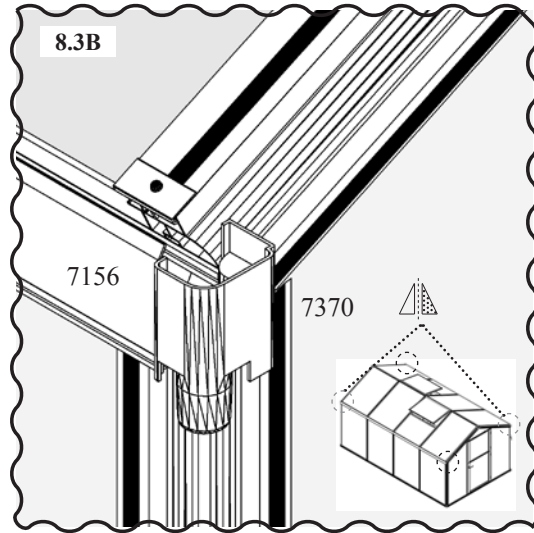
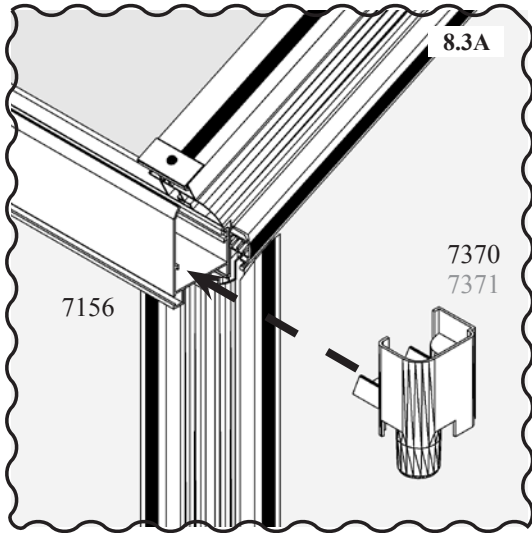
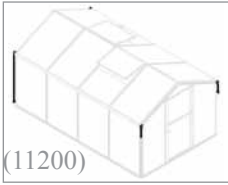
1401

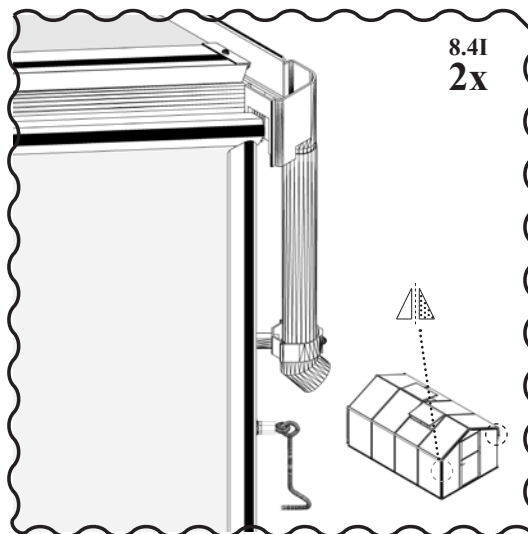
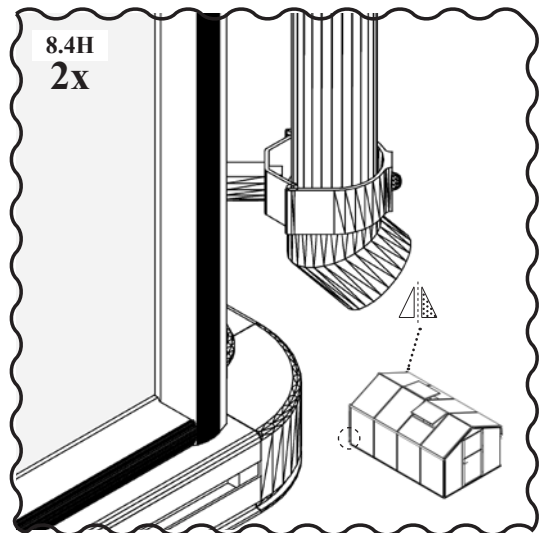
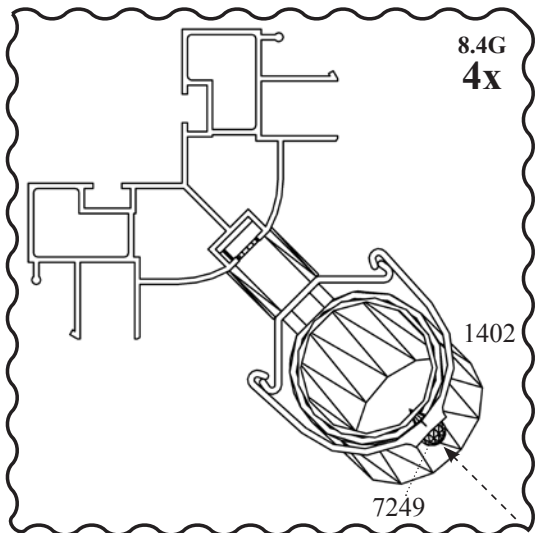
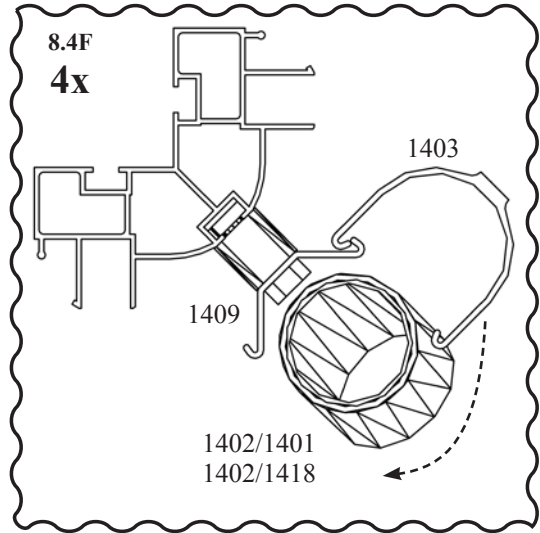
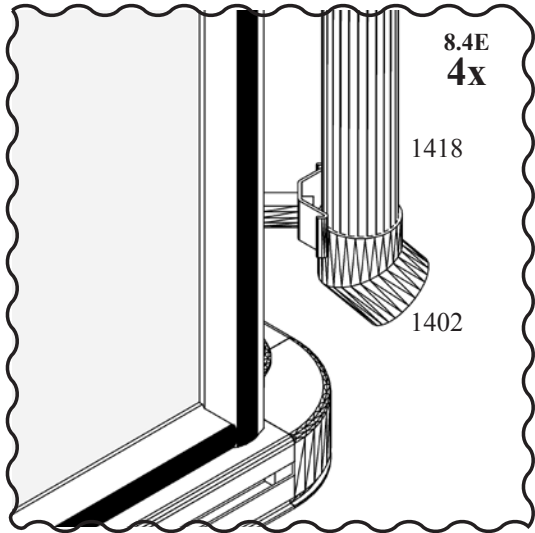


1402

5800	8500	11200	13900	16600	C8
1002 2x		Back Gable - DEI			
1402 2x					
1403 2x					
1405 2x					
1409 2x					
1412 2x					
1418 2x					
7349 2x					
7370 1x					
7371 1x					







 Mirror of



E.P.H. Schmidt u. Co. GmbH
Hoefkerstrasse 30
44149 Dortmund
Postfach 170163
44060 Dortmund
Deutschland
Tel.: +49 231 941655 0
Fax: +49 231 941655 99
www.eph-schmidt.de
verkauf@eph-schmidt.de

OPJ A/S
Volderslevvej 36 A
5260 Odense S
Danmark
Tel.: +45 66 15 10 30
Fax: +45 66 15 00 84
www.opj.dk
opj@opj.dk